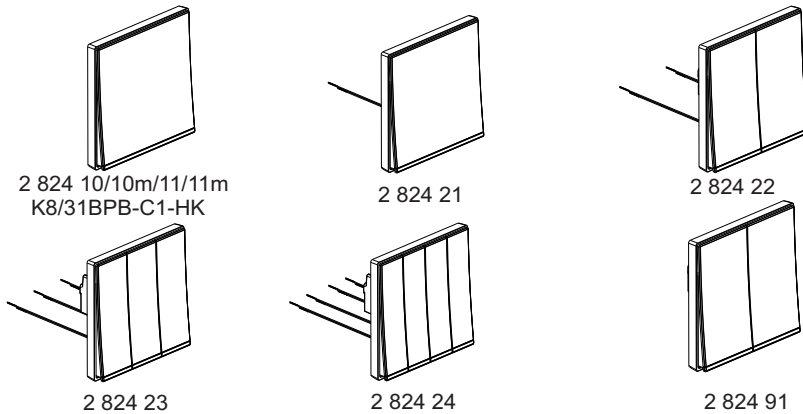


# Galion™ Push buttons

Cat. No(s): 2 824 10/10m/11/11m/21/22/23/24/91  
K8/31BPB-HK



## CONTENTS

1. Use.....	1
2. Range.....	1
3. Preparation.....	1
4. Overall dimensions.....	1
5. Connection.....	2
6. Operation.....	2
7. Technical characteristics.....	2
8. Cleaning.....	2
9. Conformity - Approvals.....	2

## 1. USE

Mechanisms for the control of bells, buzzers, room controller units and so on.  
(Supplied with M3.5 screws for BS boxes. Flush mounting or Surface mounting.)

## 2. RANGE

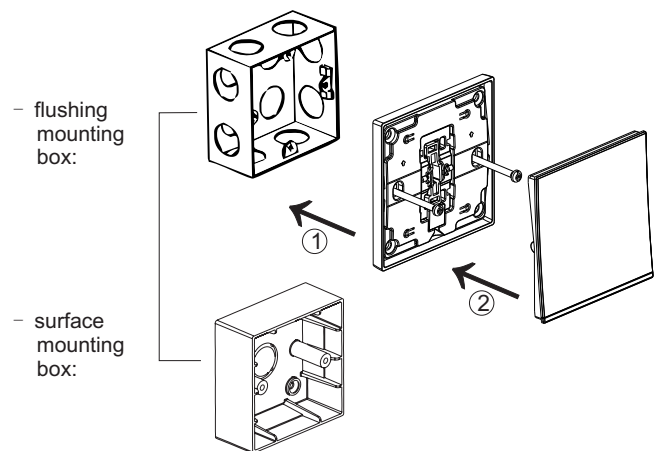
	Designation	Cat. No.	Weight (g)	Characteristics
	1G Push Button no Marking	2 824 10/10m	81	16A - 250V~
	1G Push Button	2 824 11/11m K8/31BPB-C1-HK	81	16A - 250V~
	1G 12V Push Button -on and LED	2 824 21	81	12VDC LED:<10mA
	2G 12V Push Button -on and LED	2 824 22	91	12VDC LED:<10mA
	3G 12V Push Button -on and LED	2 824 23	100	12VDC LED:<10mA
	4G 12V Push Button -on and LED	2 824 24	103	12VDC LED:<10mA
	2G 16AX Push no MARKING	2 824 91	91	16A - 250V~

## Colours

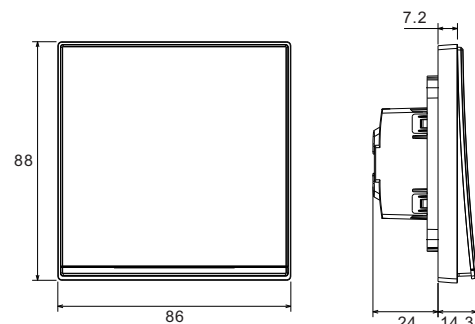
- front: white/rose golden/champagne/dark silver
- rear: white/rose golden/champagne/dark silver
- X XXX XX whit
- X XXX XX-C matt black
- X XXX XX-C1 rose golden
- X XXX XX-C2 champagne
- X XXX XX-C3 dark silver

## 3. PREPARATION

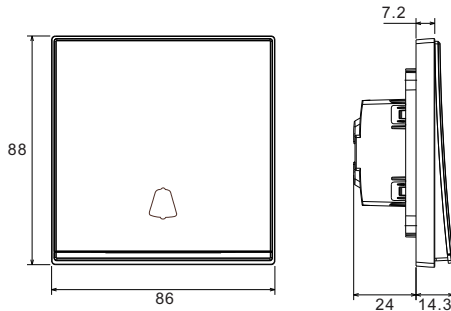
### 3.1 General preparation



## 4. OVERALL DIMENSIONS



Profile Size: 86 × 88 mm  
Distance of installation hole: 60.3 mm  
Minimum depth of the box > 35 mm



Profile Size: 86×88 mm  
Distance of installation hole: 60.3 mm  
Minimum depth of the box>35 mm

## 5. CONNECTION

### Terminals

Terminal capacity: 3 × 1 mm<sup>2</sup>  
3 × 1.5 mm<sup>2</sup>  
2 × 2.5 mm<sup>2</sup>  
1 × 4 mm<sup>2</sup>

Recommended screwdriver size: 4 mm flat blade  
Recommended stripping length: 12 mm  
Recommended terminal tightening torque: 0.5Nm

## 6. OPERATION

Switch mechanism (handling force: 0.9 to 1.6N)

## 7. TECHNICAL CHARACTERISTICS

### 7.1 Material characteristics

Rocker: Polycarbonate  
Bar: Polycarbonate  
Frame: Polycarbonate  
Base: Polycarbonate  
Self-extinguishing:  
+ 850° C / 30 s for insulating parts holding live parts in place  
+ 650° C / 30 s for other parts made of insulating materials

### 7.2 Electrical characteristics

#### 2 824 10/10m/11/11m/91

Voltage: 250V~  
Current: 16A

#### 2 824 21/22/23/24

Voltage: 12VDC  
LED:<10mA

### 7.3 Climatic characteristics

Storage temperatures: -10°C to +70°C  
Operating temperatures: -5°C to +50°C

### 7.4 Mechanical characteristics

Impact test: IK04  
Protection against liquids: IP20

## 8. CLEANING

Surface cleaning with a soft, slightly damp cloth.  
Do not use: acetone, tar remover, trichloroethylene

## 9. CONFORMITY - APPROVALS

Conform to BS EN 60669-1; MS/IEC 60669-1