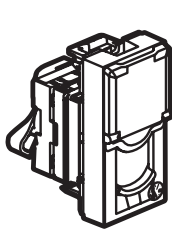
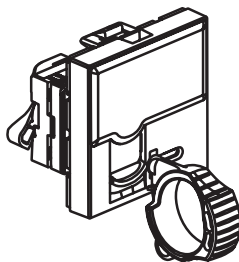


Arteor™
LCS2 Cat. 6A UTP RJ 45 socket

Cat. No(s): 5 723 49/58/59 - 5 728 49/58/59 - 5 723 57 - 5 728 57



5 723 49



5 723 57

CONTENTS

Page

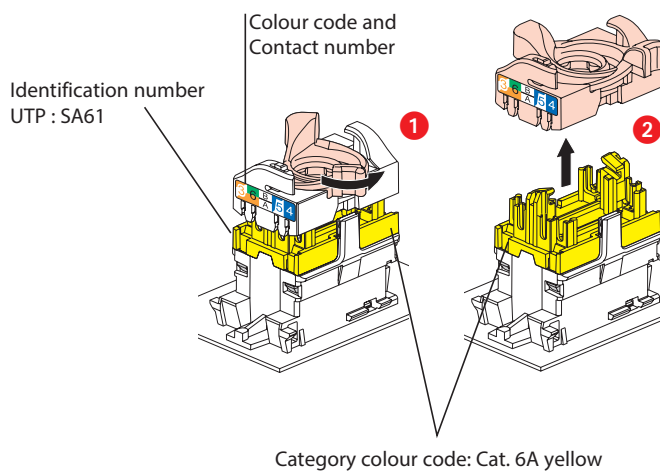
1. General characteristics1
2. Presentation1
3. Real life scenarios1
4. Technical characteristics.....2
5. Connection2
6. Overall dimensions.....2
7. Usual connection of RJ 45 sockets2
8. Standards and approvals3
9. Performance3-5

1. GENERAL CHARACTERISTICS

Cat. 6A RJ 45 terminal socket for high speed connection to a network.
Enables data transmission at 10 Gbit/s.
Socket is used with Cat. 6A U/UTP cables.

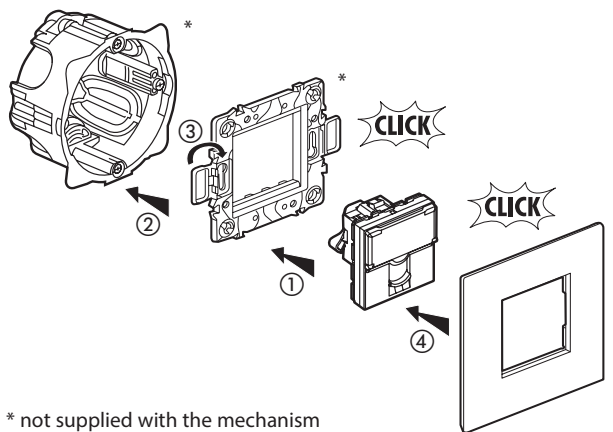
2. PRESENTATION

	Désignation	Nbre de modules	UTP
	RJ 45 socket Cat. 6A UTP white	1	5 723 49
	RJ 45 socket Cat. 6A UTP magnesium	1	5 728 49
	RJ 45 socket Cat. 6A UTP white orange cover	1	5 723 58
	RJ 45 socket Cat. 6A UTP white green cover	1	5 723 59
	RJ 45 socket Cat. 6A UTP magnesium orange cover	1	5 728 58
	RJ 45 socket Cat. 6A UTP magnesium green cover	1	5 728 59
	RJ 45 socket safety Cat. 6A UTP white	2	5 723 57
	RJ 45 socket safety Cat. 6A UTP magnesium	2	5 728 57

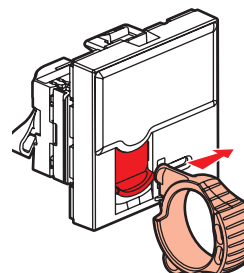


3. REAL LIFE SCENARIOS

Mechanisms can be flush-mounted or surface-mounted.



Unlocking



0 334 80

4. TECHNICAL CHARACTERISTICS

4.1 Material characteristics

Contacts: gold/nickel, minimum thickness of gold > 0.8 µm
 Metal parts: bronze, nickel, platinum, gold
 PBT polycarbonate

4.2 Electrical characteristics

Breakdown voltage ≥ 1000 V
 Contact resistance ≤ 20 mΩ
 Insulation resistance ≥ 500 MΩat 100 V DC

Tested and independently certified to comply with IEC 60512-99-001 and IEC 60512-99-002 for PoE support up to 90w (Type 4).

4.3 Mechanical characteristics

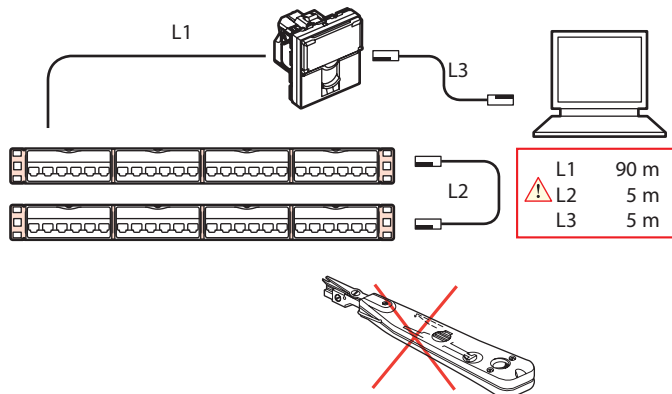
Max. number of connections and disconnections: 5 without refreshing the wiring.

Endurance: 2500 movements (plug insertion/withdrawal)
 IK03

4.4 Climatic characteristics

Operating temperature: - 10° C to + 60° C
 Humid heat cycle 21 days

5. CONNECTION

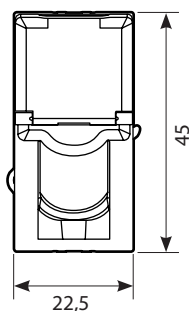
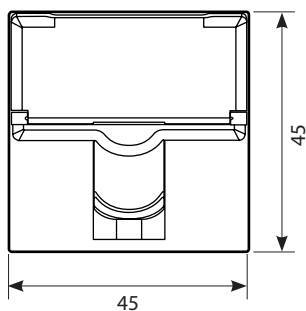


6. OVERALL DIMENSIONS

Front view:

5 723 57 - 5 728 57

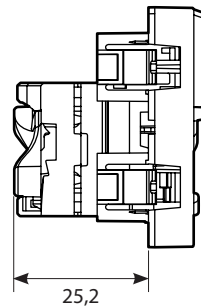
5 723 49/58/59 - 5 728 49/58/59



6. OVERALL DIMENSIONS (cont.)

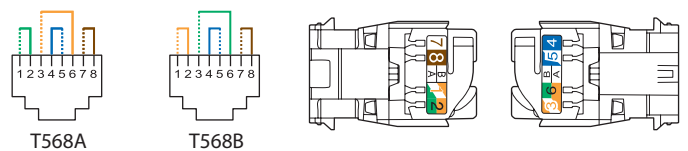
Side view:

5 723 49/58/59 - 5 728 49/58/59
 5 723 57 - 5 728 57



7. USUAL CONNECTION OF RJ 45

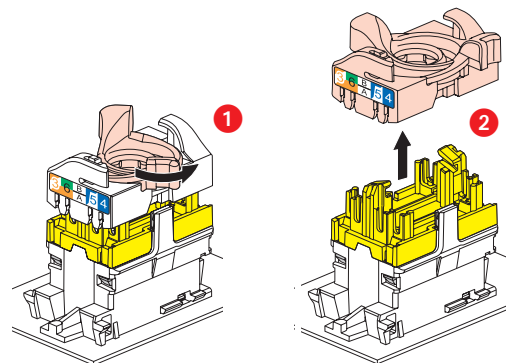
Accepts the following cable connectors:
 RJ11 (4 contacts), RJ12 (6 contacts), RJ45 (9 contacts).
 Double colour code T568A and T568B on terminals:



Conductors supported:

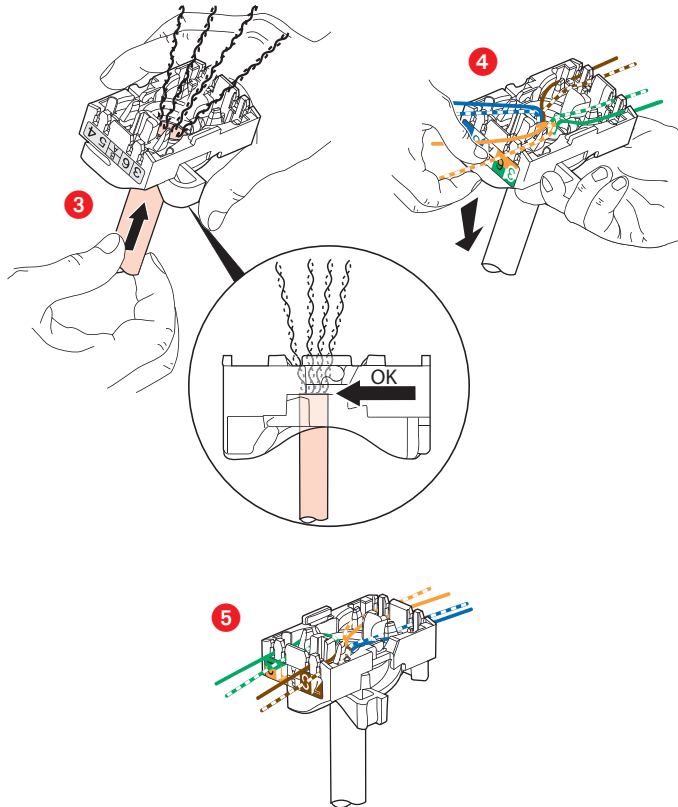
- Solid/Stranded : 0.4 to 0.65 mm, AWG 26 to 22
- Polyethylene conductor insulation: max Ø with insulation 1.58 mm.

RJ 45 connectors are equipped with a locking nut that does not require the use of a specific tool and which enables re-cabling in the event of error.



7. USUAL CONNECTION OF RJ 45 (cont.)

This system allows the wire pairs to be spread easily before mounting them on the connector.



Spreading cables ensures that each pair is separated by the specified 13 mm.
 Spreading pairs by 90° in relation to the cable ensures optimum performance.

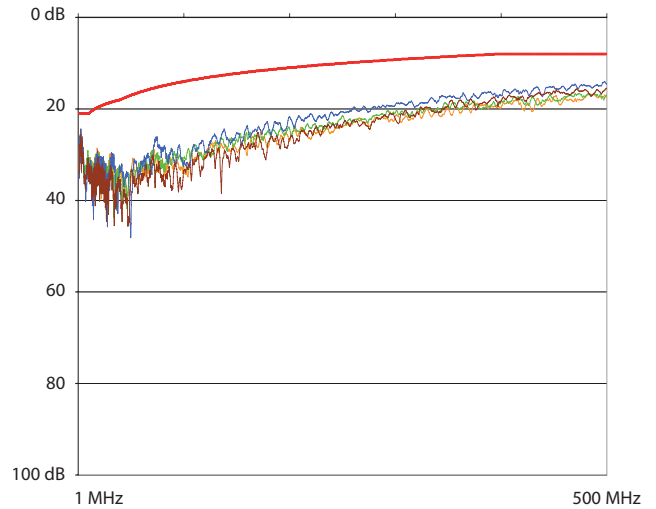
8. STANDARDS AND APPROVALS

- ISO/IEC 11801 series : International standard for generic cabling for customer premises
- ANSI/TIA 568 series : North American standard for generic cabling for customer premises
- EN 50173 series : European standard for generic cabling for customer premises
- IEC 60603-7 series : International standard for connector specifications

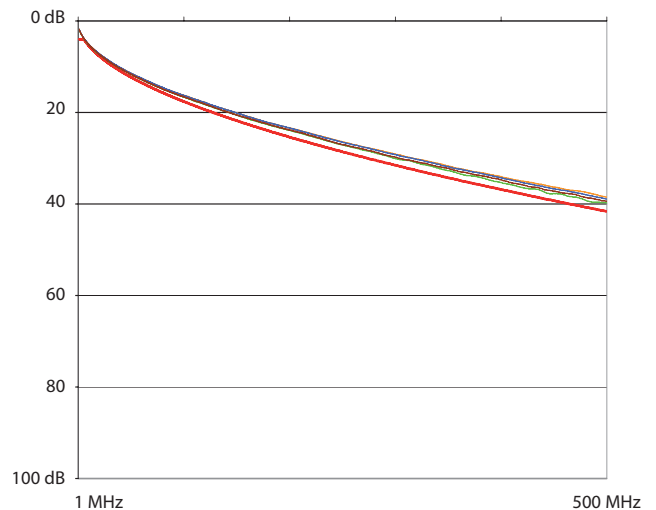
Connectors are compliant to requirements for the following remote powering applications
 IEEE 802.3af , IEEE 802.3at , IEEE 802.3bt : "Power over Ethernet", Types 1 to 4, up to 90W.

9. PERFORMANCE

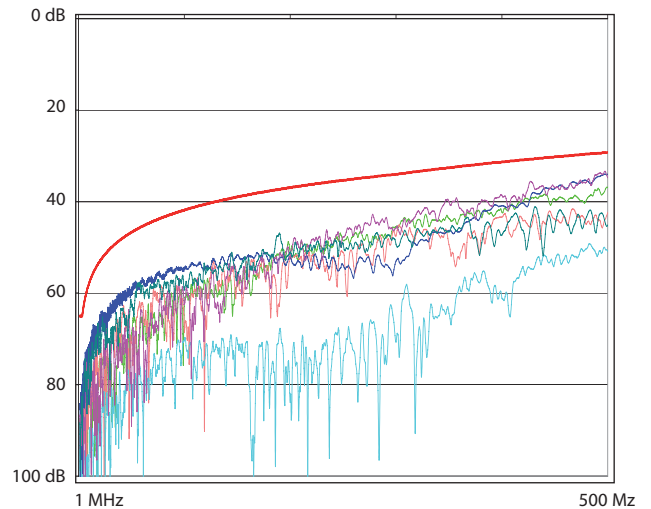
9.1 Performance of permanent link with cat. 6A U/UTP cable
 Return loss



Attenuation

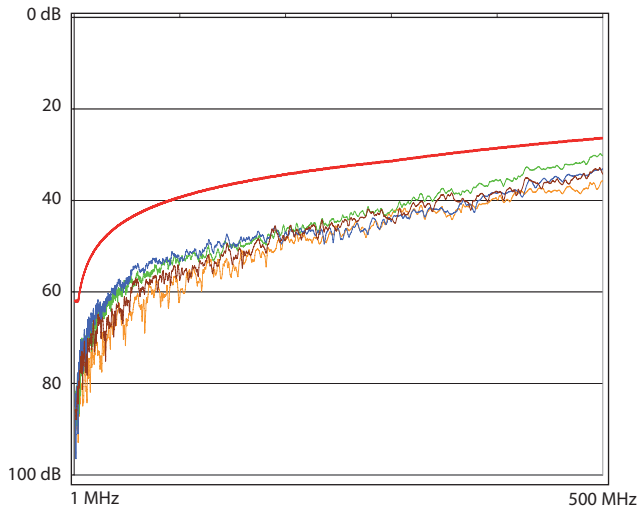


NEXT (Near end Crosstalk Attenuation)

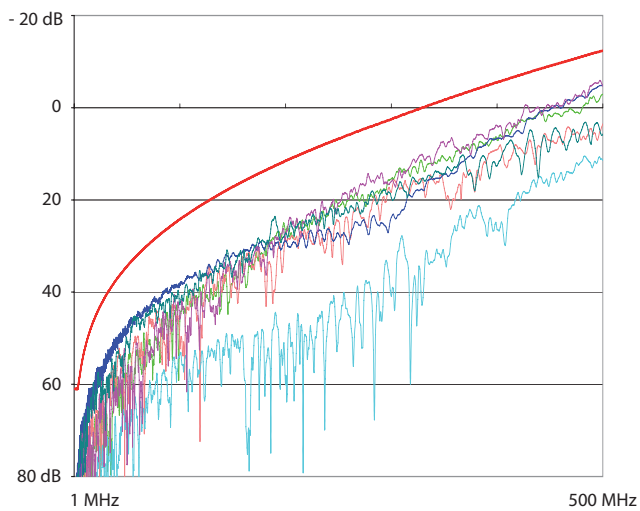


9. PERFORMANCE (cont.)

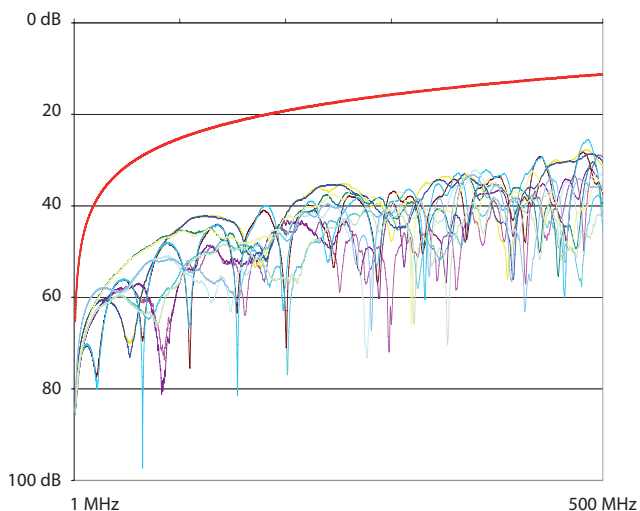
9.1 Performance of permanent link with Cat. 6A U/UTP cable (cont.)
PS NEXT (Power Sum NEXT)



ACR-N (Attenuation to Crosstalk Ratio)

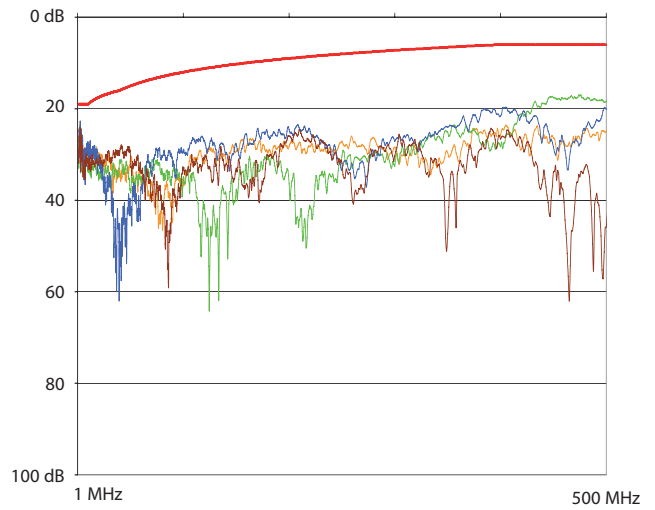


ACR-F (Equal Level End Crosstalk Attenuation)

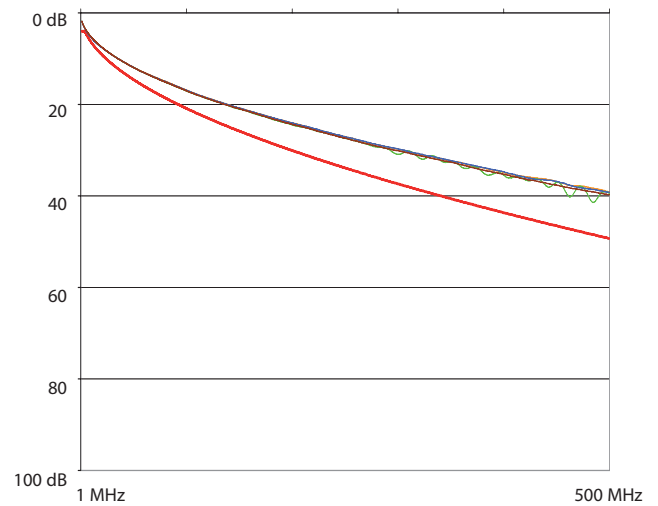


9.2 Performances canal (Channel)

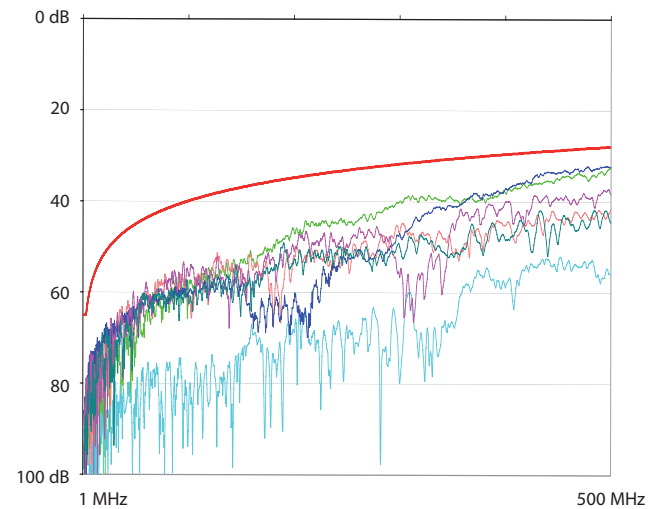
Return loss



Attenuation



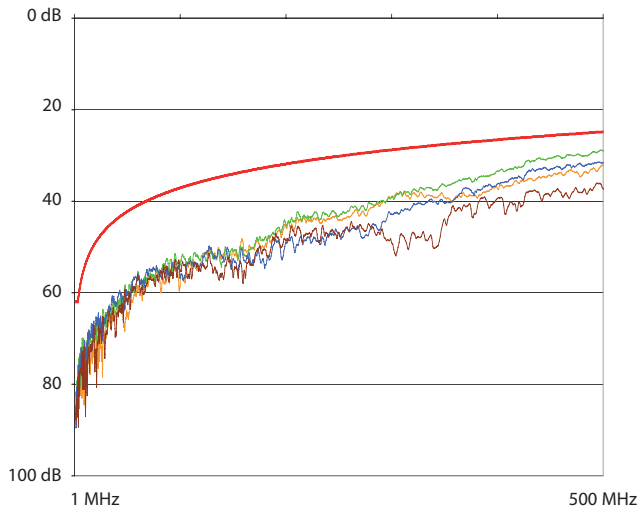
NEXT (Near end Crosstalk Attenuation)



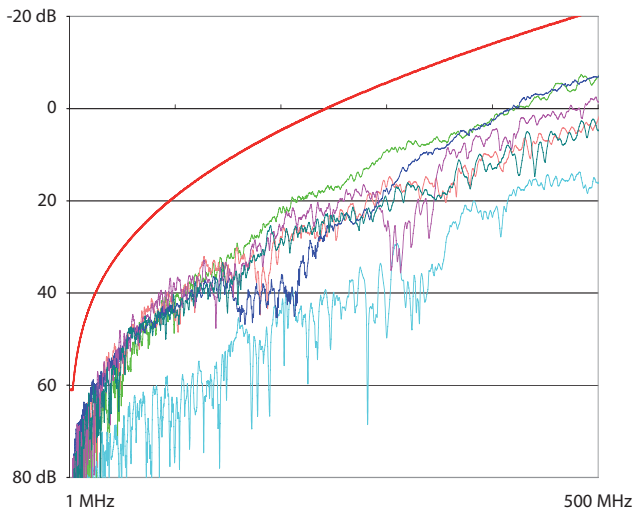
9. PERFORMANCE (cont.)

9.2 Performances canal (Channel) (cont.)

PS NEXT (Power Sum NEXT)



ACR-N (Attenuation to Crosstalk Ratio)



ACR-F (Equal Level End Crosstalk Attenuation)

