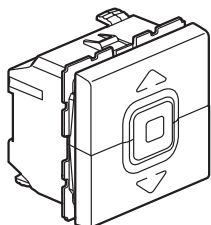
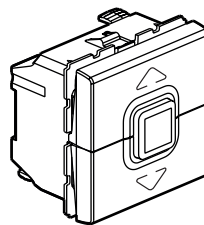


Mosaic™ Controls for opening

Cat. No(s) : 0 770 25/26/28 - 0 791 26L - 0 792 25/26/28



0 770 25/26
 0 791 26L
 0 792 25/26



0 770 28
 0 792 28

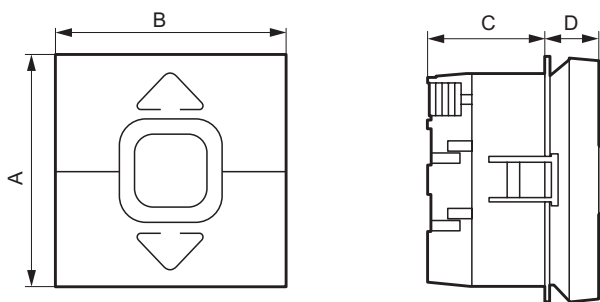
1. USE

Control mechanisms for roller shutters, blinds and awnings.
 Can be flush-mounted in box depth 40 mm min.
 3 positions: UP/STOP/DOWN

2. RANGE

	Blanc	Aluminium	Matte Black
Pushbutton for roller shutters / blinds / awnings	0 770 25	0 792 25	-
Switch for roller shutters / blinds / awnings	0 770 26	0 792 26	0 792 26L
Pushbutton direct control for roller shutters / blinds / awnings	0 770 28	0 792 28	-

3. OVERALL DIMENSIONS (mm)

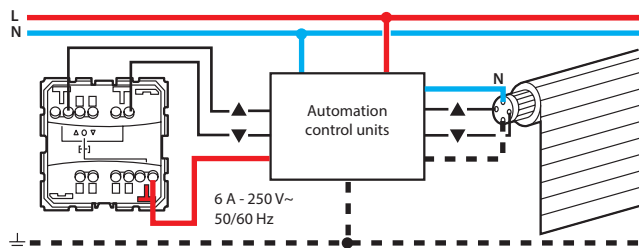


A	B	C	D
45	45	23	12

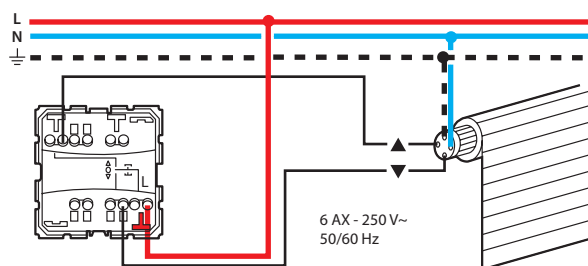
4. CONNECTION

Terminal type: automatic
 Stripping: 13 mm
 Terminal capacity: 2 x 2.5 mm²

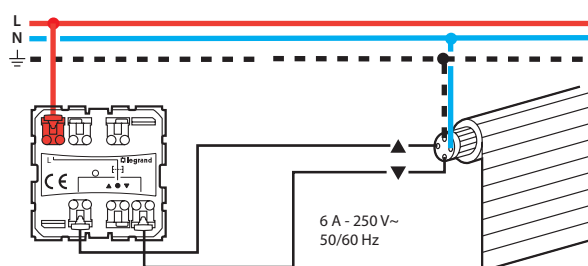
4.1 Pushbutton wiring (Cat. No. 0 770 25 - 0 792 25)



4.2 Switch wiring (Cat. No. 0 770 26 - 0 791 26L - 0 792 26)

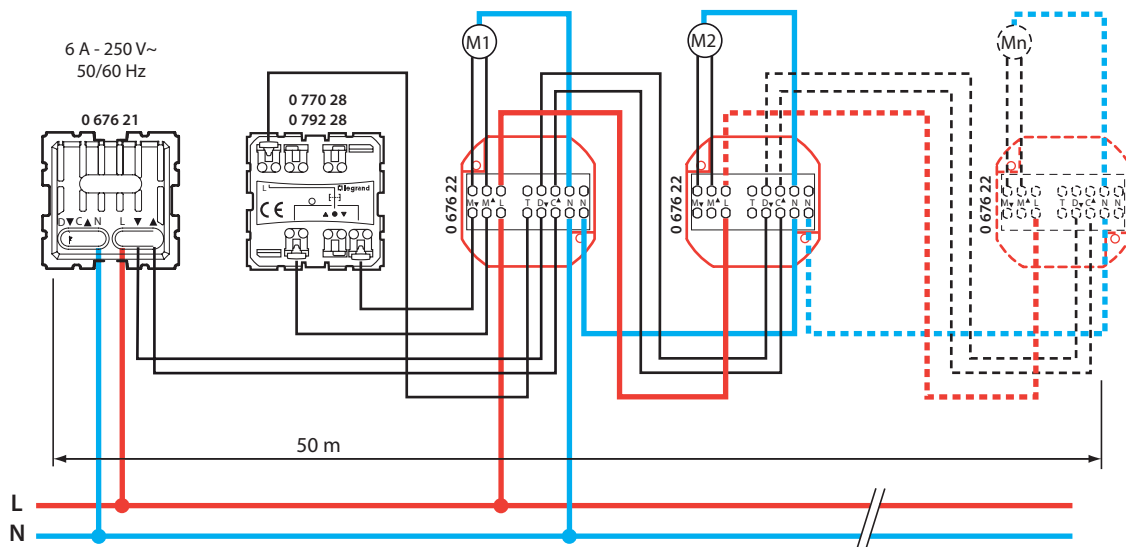


4.3 Pushbutton wiring (Cat. No. 0 770 28 - 0 792 28)



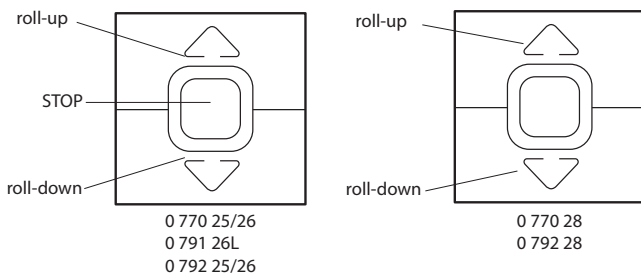
4. CONNECTION (continued)

4.3 Pushbutton wiring (Cat. No. 0 770 28 - 0 792 28) with relays



6. OPERATION

Cat. Nos. 0 770 25 - 0 792 25: double pushbutton for controlling one or more opening motors via automation control units (closing mechanism).
 Cat. Nos. 0 770 26 - 0 791 26L - 0 792 26: double switch for direct control of opening drives (fixed position mechanism).
 Cat. Nos. 0 770 28 - 0 792 28: double pushbutton for relay control (closing mechanism) of motor opening (without STOP).



7. TECHNICAL DATA

7.1 Mechanical characteristics

Impact tests: IK 04
 Penetration by solid/liquids bodies: IP 41

7.2 Material characteristics

Rocker: ABS
 - White RAL 9003
 - Painted matt black RAL 9017 satin finish
 - Painted Aluminium varnished glittery

Base: Polycarbonate
 Rocker support: Polycarbonate

Self-extinguishing:
 850° C / 30 s for insulating parts holding live parts in place
 650° C / 30 s for other parts made of insulating materials

7.3 Electrical characteristics

Voltage: 250 V~
 Current: 0 770 26 - 0 791 26L - 0 792 26 : 6 AX
 0 770 25/28 - 0 792 25/28 : 6 A
 Max. controlled power: 500 W

7. TECHNICAL DATA (continued)

7.4 Climatic characteristics

Storage temperatures: - 10° C to + 70° C
 Operating temperatures: - 5° C to + 35° C

8. CLEANING

Surface cleaning with a cloth.
 Do not use: acetone, tar remover, trichloroethylene.

8.1 Resistance to cleaning agents

Resistance to the following agents: Hexane (EN 60669-1), Methylated spirits, Soapy water, Diluted ammonia, Diluted pure bleach 10%, Glass cleaning substance, Pre-impregnated wipes.

8.2 Resistance to hospital-type cleaning agents

Resistance to the following agents: Anios, Surfianos, Bactilycine, Diluted hydrogen peroxide (35%).

Caution: A preliminary test should be carried out if other specific cleaning products are to be used.

9. CONFORMITY - APPROVALS

Conform with standards of installation and manufacturing.
 Refer to e.catalogue.