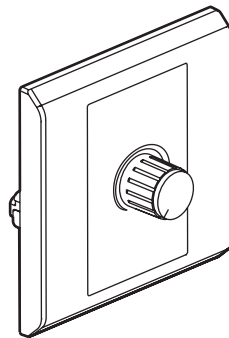


Belanko™ 600 W R dimmer

Cat. No(s): 6 170 30 - 6 173 30 - 6 174 30



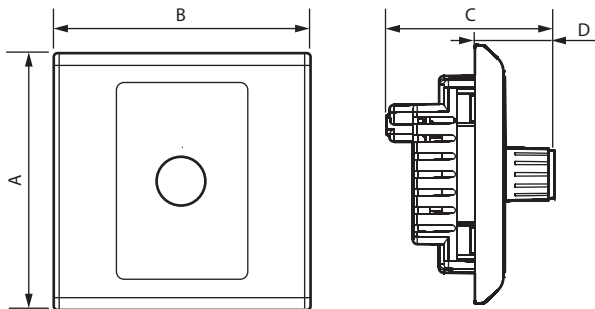
1. USE

Lighting control dimmer, complete delivered.
 Can be associated with one or several push-buttons, for ON/OFF or dimming control.
 For flush-mounting or surface mounting box.
 Supplied with 2 screws M3.5 for BS boxes.

2. RANGE

	White	Dark Grey	Brown
Rotary ON/OFF dimmer 1 gang - 1-way	6 170 30	6 173 30	6 174 30

3. OVERALL DIMENSIONS (mm)



A	B	C	D
86	86	56	29,5

Distance of installation hole: 60.3 mm

4. CONNECTION

Type of terminals : with screws
 Terminal capacity: 4 x 1 mm² - 4 x 1.5 mm² - 2 x 2.5 mm² - 1 x 4 mm²
 Stripping length: 8 mm
 Screwdriver: 4 mm flat blade
 Compatible with flexible or rigid cables

5. TECHNICAL CHARACTERISTICS

■ 5.1 Mechanical characteristics

Impact tests: IK 04
 Penetration by solid bodies/liquids: IP 40

■ 5.2 Material characteristics

Thermoplastic with glossy finish (White)
 Rocker: PC
 Frame: PC
 Base: PP
 Colour: White T084: PC
 Dark Grey: PC painted
 Brown: PC painted

Halogen free
 UV resistant

Self-extinguishing:

- + 850° C / 30 s for insulating parts holding live parts in place.
- + 650° C / 30 s for other parts made of insulating materials.

■ 5.3 Electrical characteristics

Voltage: 230 V~
 Frequency: 50 Hz
 For halogen and incandescent lamps 40 - 600 W (230 V)

■ 5.4 Climatic characteristics

Storage temperature: - 10° C to + 70° C
 Use temperature: - 5° C to + 35° C

6. CLEANING

Clean the surface with a cloth.
 Do not use acetone, tar-removing cleaning agents or trichloroethylene.

Resistance to the following cleaning substances:
 Hexane (EN 60669-1), Methylated spirit, Soapy water, Diluted ammonia, Diluted pure bleach 10%, Glass cleaning product.

Caution: An initial test is required for the use of other special maintenance products.

7. STANDARDS AND APPROVALS

Compliance with standards of installation and manufacturing.
 See e.catalogue.