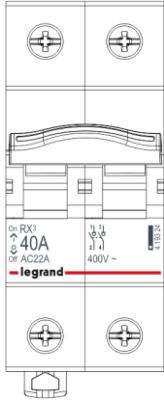


Isolating switch RX³

Cat N°(s) : 4 193 24, 4 193 25, 4 193 26, 4 193 27, 4 193 28, 4 193 29
4 193 30, 4 193 31, 4 193 32

1 module per pole, from 40 to 80A



CONTENTS

Page

1. Description, use	1
2. Range	1
3. Overall dimensions	1
4. Preparation - Connection	2
5. General Characteristics.....	2
6. Compliances and approvals.....	3

1. DESCRIPTION - USE

Isolating switch ensuring the breaking and the isolation of electrical circuits.

Fully visible breaking indication.

2. RANGE

Polarity and symbols :

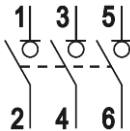
2-poles 400V~

40A
63A
80A



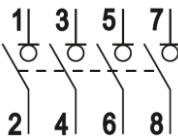
3-poles 400V~

40A
63A
80A



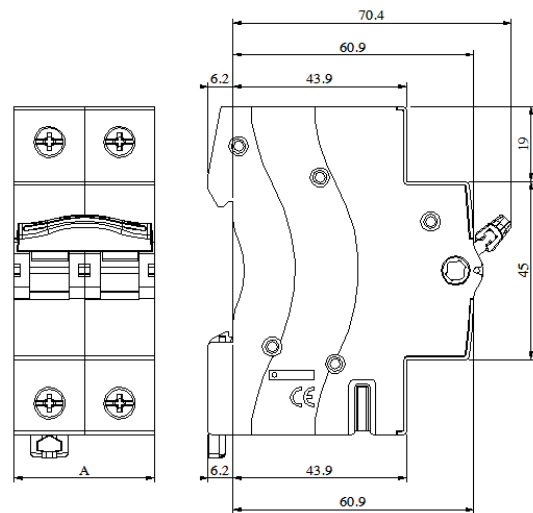
4-poles 400V~

40A
63A
80A



3. OVERALL DIMENSIONS

Rated currents 40A, 63A & 80 A



	2-poles	3-poles	4-poles
A (mm)	35.4	53.1	70.8

Isolating switch RX³

Cat N°(s) : 4 193 24, 4 193 25, 4 193 26, 4 193 27, 4 193 28, 4 193 29
4 193 30, 4 193 31, 4 193 32

1 module per pole, from 40 to 80A

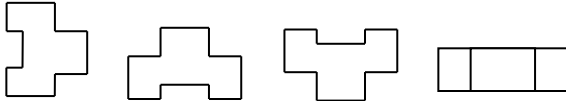
4. PREPARATION - CONNECTION

Mounting:

- . On symmetrical EN 60715 rail or DIN 35 rail.

Operating positions:

- . Vertical
- . Horizontal
- . Upside down
- . On the side



Power supply:

- . Either from the top or the bottom.

Connection:

- . Terminals protected against direct contact IP20, wired device.
- . Cage terminals, with release and captive screws.
- . Alignment and spacing of the terminals permitting connection with the other products in the range via prong supply busbars.
- . Terminal depth: 13mm.
- . Screw head: mixed, slotted and Pozidriv no. 2.
- . Tightening torques:

Min torque	2 Nm
Recommended torque	3 Nm
Max torque	3.5 Nm

Conductor type:

- . Copper cable or supply busbar.
- . Cable cross-section:

	Without ferrule	With ferrule
Rigid cable	1 conductor 1.5 to 35 mm ² 2 conductors 1.5 to 16 mm ²	
Flexible cable	1 conductor 1.5 to 25 mm ² 2 conductors 1.5 to 10 mm ²	1 conductor 1.5 to 25 mm ²

Recommended tools:

- . For the terminals:
 - Screwdriver with 5.5 to 6.5 mm blade.
 - Pozidriv no. 2 screwdriver.
- . For attaching or removing the DIN rail:
 - Screwdriver with 5.5 to 6 mm blade.
 - Pozidriv no. 2 screwdriver.

Manual actuation of the Isolating switch:

- . "O-OFF": Device open.
- . "I-ON": Device closed.

Locking:

- . Padlocks possible in the open and closed positions with padlock support (Cat. No. 4 063 03) and Ø5 mm padlock (Cat. N°. 4 063 13)

Sealing:

- . Possible in the open or closed positions.

5. GENERAL CHARACTERISTICS

Marking on the front side:

- . By permanent ink pad printing.

Rated operational voltage :

- . 2-poles, 3-poles and 4-poles :

- . U_e = 400 V ~

Rated frequency :

- . 50/60 Hz with standard tolerances.

Short circuit withstand:

- . Maximum capacity switching on short-circuit : 1000 A

	40 A / 63 A / 80 A
I_{cw} following IEC/EN 60947-3	12 x I _e A
I_{cm} following IEC/EN 60947-3	1000 A

Insulation voltage:

- . U_i = 500 V

Rated impulse withstand voltage:

- . U_{imp} = 6 kV

Utilization category:

- . AC22: Mixed load.
- . A: Frequent operations.

Degree of pollution:

- . 3 in accordance with standard IEC 60947-1:2020

Power dissipated per pole :

40 A	63 A	80 A
1.01W	2.6W	4.06W

Isolating switch RX³

Cat N°(s) : 4 193 24, 4 193 25, 4 193 26, 4 193 27, 4 193 28, 4 193 29
4 193 30, 4 193 31, 4 193 32

1 module per pole, from 40 to 80A

5. GENERAL CHARACTERISTICS *(continued)*

Degree or class of protection:

- . Terminals protected against direct contact, Class of protection against solid objects and liquids (wired device): IP20 in accordance with standards IEC 529 – EN 60529 and NF 20-010.
- . Class II in relation to metallic conductive parts.

Plastic materials:

- . Polyamide

Enclosure heat and fire resistance:

- . Resistance to glow wire tests at 960°C, in accordance with standard CEI 60695-2-10 & 60695-2-11.
- . Classification V2, in accordance with standard UL94.

Closing and opening effort via the handle:

Handle force	2-poles	3-poles	4-poles
To switch Off	13N	21N	40.8N
To switch On	49N	78.5N	98N

Mechanical endurance:

- . Compliant with standard IEC/EN 60947-3

Rated current	40 / 63 / 80 A
Operations with no load	100 00

Electrical endurance:

- . Compliant with standard IEC/EN 60947-3

Rated current	40 / 63 / 80 A
operations with load AC22A	1500

Ambient temperatures:

- . Operation: from - 25 °C to + 70 °C.
- . Storage: from - 40 °C to + 70 °C.

Packaged volume:

	Packaging	Volume (dm ³)
2-poles	Per 6	2.1
3-poles	Per 1	0.5
4-poles	Per 1	0.7

Average unit weight:

2-poles	155 g
3-poles	235 g
4-poles	310 g

6. COMPLIANCE AND APPROVALS

In accordance with standards:

- . IEC/EN 60947-3.

Plastic materials:

- . Halogen free plastic materials.

Packaging:

- . Design and manufacture of packaging compliant with decree 98-638 of 20/07/98 and Directive 94/62/EC.

Respect for the environment – Compliance with European Union Directives:

- . Compliance with Directive 2002/95/EC of 27/01/03 known as "RoHS" which provides for a restriction on the use of dangerous substances such as lead, mercury, cadmium, hexavalent chromium and polybrominated biphenyl (PBB) and polybrominated diphenyl ether (PBDE) brominated flame retardants from 1st July 2006.

- . Compliance with the Directive 91/338/EEC of 18/06/91 and decree 94-647 of 27/07/04.