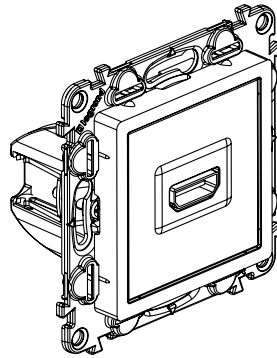


**Valena Life™
 HDMI sockets**

Cat. Nos: 7 531 71/7 532 71/7 533 71



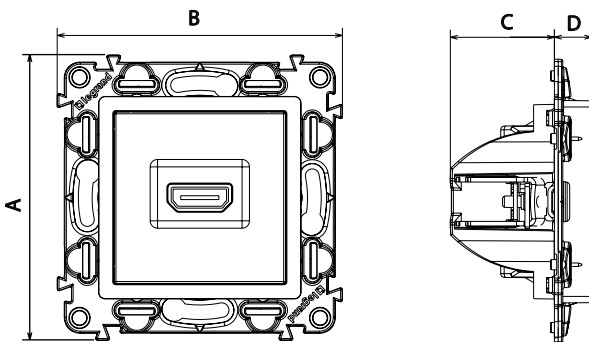
1. USE

The HDMI socket is an audio-video socket for connecting terminals such as plasma or LCD televisions, home-cinema systems, DVD recorders, satellite demodulators, etc.
 The connection is a high-fidelity digital format. To ensure quality output, the connection between the two devices should not exceed 5 m. For longer connections, it would be necessary to provide a booster system in the installation.
 The connectors are type A and conform to the HDMI standard.

2. RANGE

Description	White	Ivory	Aluminium
HDMI socket	7 531 71	7 532 71	7 533 71

3. DIMENSIONS (mm)

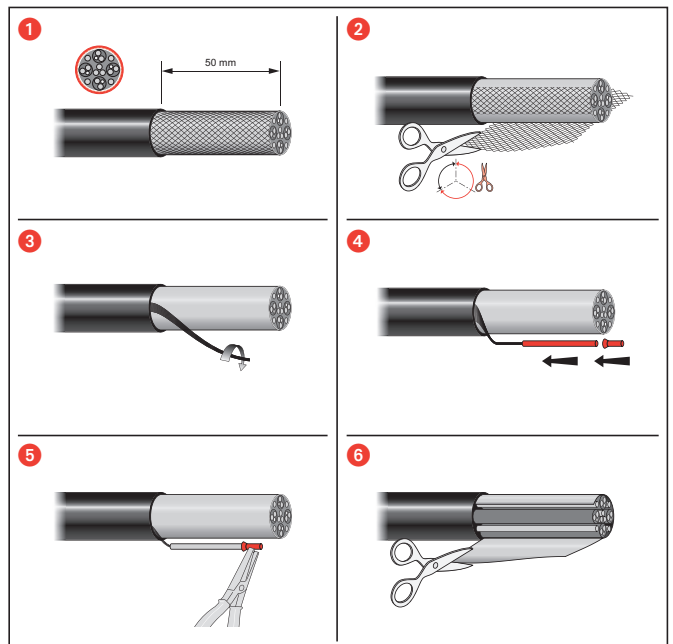


Cat. Nos.	A	B	C	D
7 531 71 - 7 532 71 - 7 533 71	74.7	74.7	27.25	9.8

4. CONNECTION

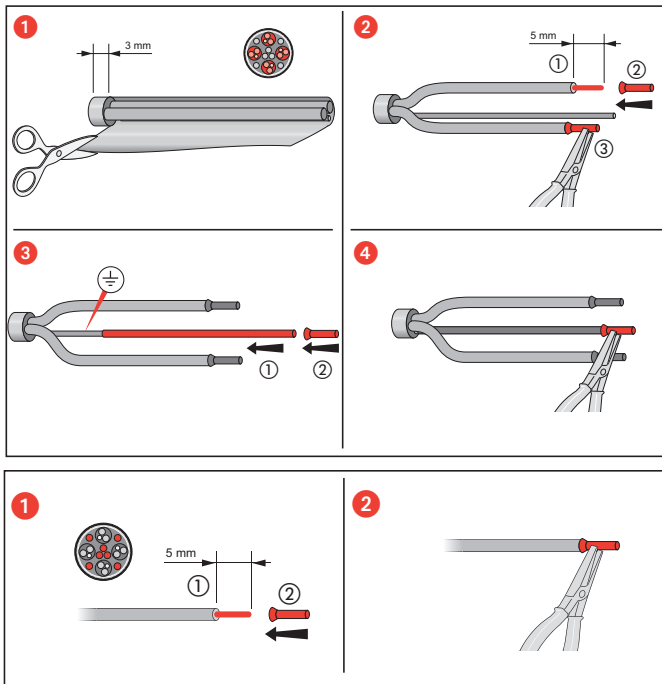
Wide terminal block which accommodates conductors 1 mm² max.
 Supplied in a bag containing:
 - crimping ferrules for conductors < 0.5 mm²
 - thermoformable sheaths
 Cable bending radius: 35 mm
 Max. cable length: 5 m (for longer distances, an HDMI booster is recommended).

a) Stripping cables:

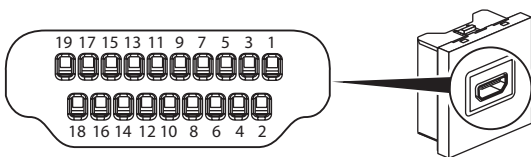
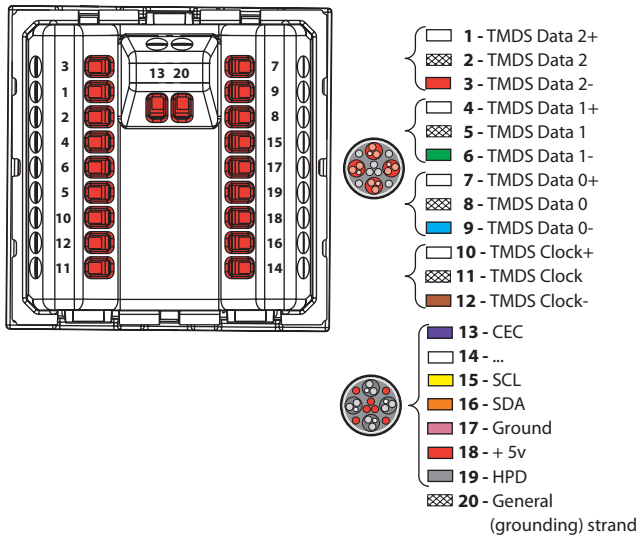


5. Connection (continued)

a) Stripping cables: (continued)



b) Wiring: comply with the wiring diagram below:



6. TECHNICAL CHARACTERISTICS

6.1 Electrical characteristics

Values indicated for an installation implemented in accordance with best practice and connected in compliance with existing standards. Any additional accessories and cords should comply with these same criteria.

HDMI version	Max. resolution in pixels	Min. HDMI version cable - max. length	Min. HDMI version cord - max. length	Total max. length of link	Min. depth of box
screw	1080 P	5 m	1.5 m	8 m	50 mm

6.2 Mechanical characteristics

Protection against solid bodies and liquids: IP 40
Protection against impacts: IK 04

6.3 Material characteristics

Casing: Poly gloss appearance
Colour: - White RAL 903
- Ivory RAL 113
- Aluminium
Material: - Plate: ABS/PC
- Cover plate: ABS
- Zero halogen
- UV resistant

6.4 Climate characteristics

Storage and operating temperature: -5°C to +35°C

7. CARE

Clean the surface with a cloth.
Do not use acetone, tar-removing cleaning agents or trichloroethylene.
Resistant to the following products: Hexane (EN 60669-1), methylated spirit, soapy water, diluted ammonia, bleach diluted to 10%, window-cleaning products, pre-impregnated wipes.

Caution: Always test before using special cleaning products.