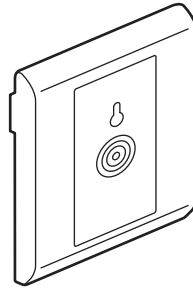


Belanko™ Security switch

Cat. no(s): 6 170 19



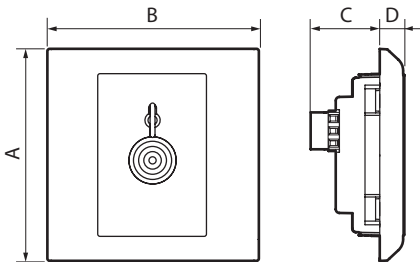
1. USE

To make emergency calls.
 Can be installed in a hotel room to enable calls in the event of, e.g., a fall or sudden discomfort.
 Can be mounted with flush-mounting box.

2. RANGE

Designation	Cat. No.
Security switch with panic button Supplied with unlocking key	6 170 19

3. OVERALL DIMENSIONS (mm)

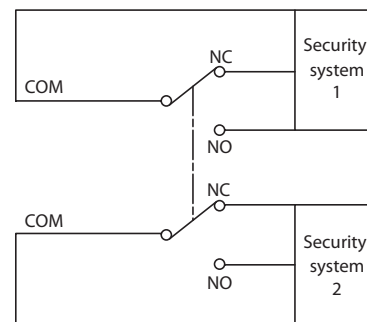


A	B	C	D
86	86	28	10

4. CONNECTION

Terminals capacity: 2 x 1 mm²
 2 x 1.5 mm²
 Stripping length: 8 mm
 Screwdriver size: 4 mm flat blade

4. CONNECTION (continued)



5. OPERATION

While the button remains pressed, a signal is sent to the control station. Once staff are on the scene, they can cancel the call using a key specific to this product.

6. TECHNICAL CHARACTERISTICS

■ 6.1 Electrical characteristics

Voltage: 250 V~
 Current: 1 A resistive

■ 6.2 Mechanical characteristics

Impact test: IK 04
 Penetration by solid bodies/liquid: IP 40

■ 6.3 Material characteristics

Plate: PC - White T084
 Frame: PC
 Base: PC
 Push-button: ABS
 Self-extinguishing:
 + 850° C / 30 s for insulating parts holding live parts in place.
 + 650° C / 30 s for other parts made of insulating materials.

■ 6.4 Climatic characteristics

Storage temperatures: - 10° C to + 70° C
 Operating temperatures: - 10° C to + 40° C

7. CLEANING

Surface cleaning with a soft, slightly damp cloth.
Do not use: acetone, tar remover, trichlorethylene.

Caution: A preliminary test should be carried out if other specific cleaning products are to be used.