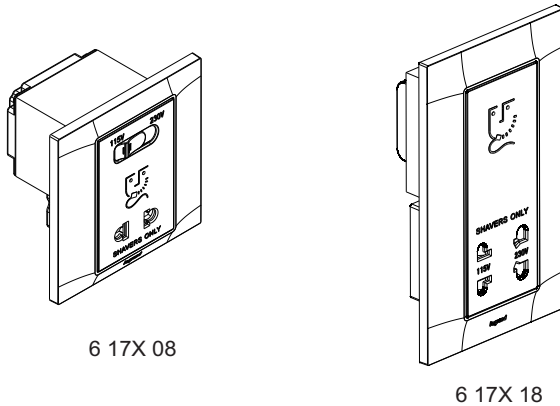


Belanko™ S Shaver socket

Cat. No(s): 6 17X 08/18



6 17X 08

6 17X 18

CONTENTS

1. Use.....1
2. Range.....1
3. Preparation.....1
4. Overall dimensions.....1
5. Connection.....2
6. Technical characteristics.....2
7. Cleaning.....2
8. Conformity - Approvals.....2

1. USE

Device for the supply of electric shavers requiring either a 115V or 230V supply and having a power consumption not exceeding 20VA. The standby power is 0W, no plug in no output power. Accepts the following types of plug : BS, European, US, Australian and Chinese.
(Supplied with M3.5 screws for BS boxes. Flush mounting.)

2. RANGE

	Designation	Cat. No.	Weight (g)
	1G SHAVER SOCKET	6 17X 08	499.1
	2G VERTICAL SHAVER SOCKET	6 17X 18	598

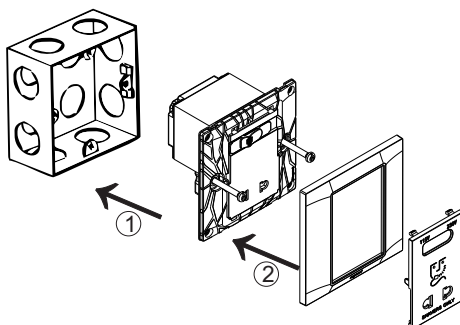
Colours

-Front: white/anthracite/ivory
-Rear: grey
6 176 X8 White
6 177 X8 Anthracite
6 178 X8 Ivory

3. PREPARATION

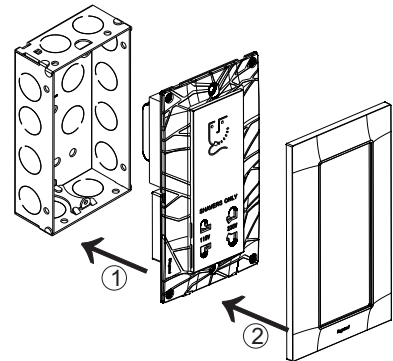
3.1 General preparation of 617X 08

- Flushing mounting box:

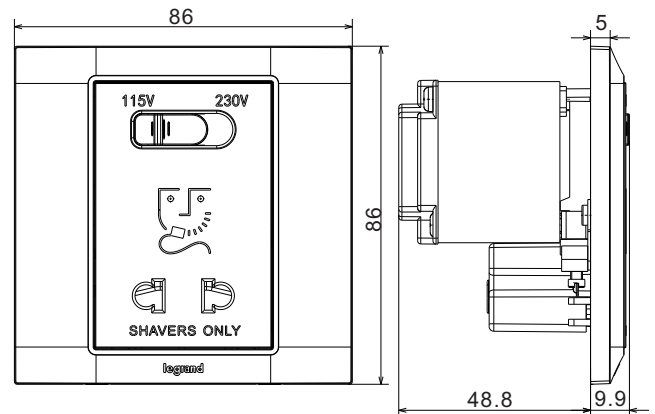


3.2 Preparation for 6 17X 18

- Flushing mounting box:

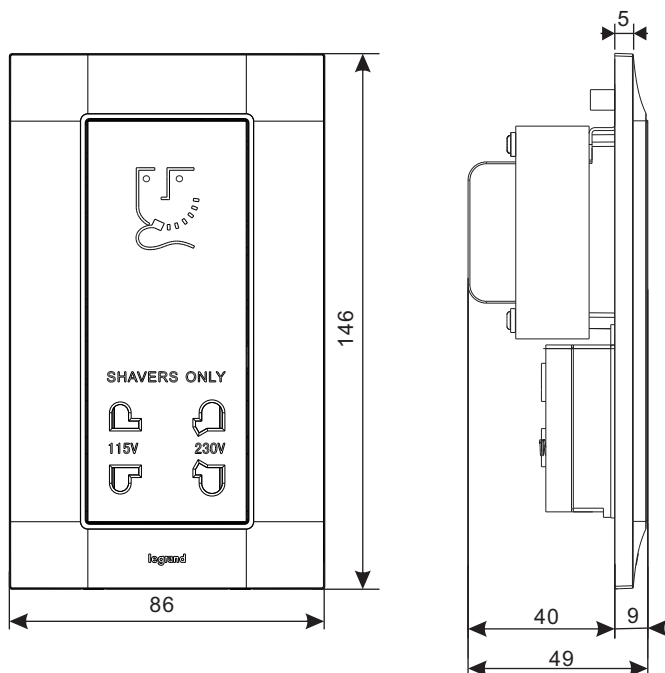


4. OVERALL DIMENSIONS



6 17X 08

Profile Size: 86 × 86mm
Distance of installation hole: 60.3 mm
Minimum depth of the box ≥ 50 mm



Profile Size: 86 × 146mm
Distance of installation hole: 120.6 mm
Minimum depth of the box ≥ 45 mm

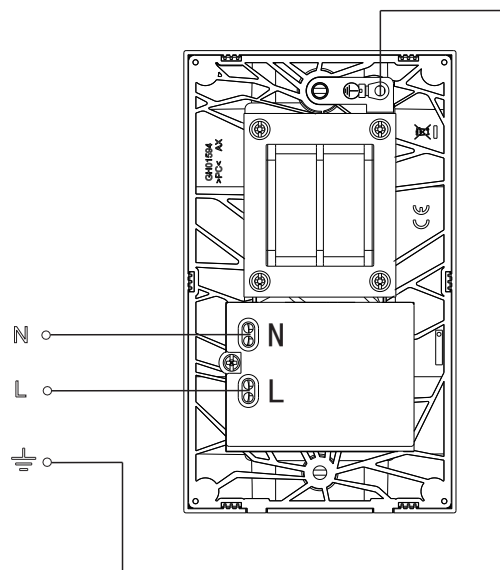
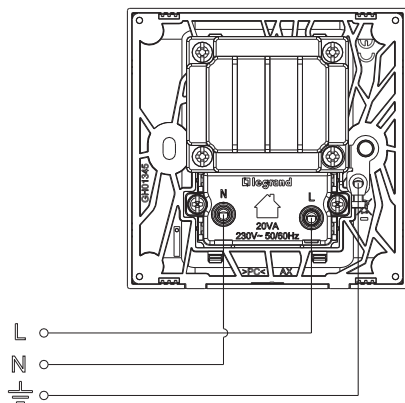
5. CONNECTION

5.1 Terminals

Terminal capacity: 3 X 1 mm²
3 X 1.5 mm²
1 X 2.5 mm²

Recommended screwdriver size: <4 mm flat blade
Recommended stripping length: 8 mm

5.2 Circuit diagrams



6. TECHNICAL CHARACTERISTICS

6.1 Material characteristics

Cover: Polycarbonate
Plate: Polycarbonate
Frame: Polycarbonate
Base: PP
Self-extinguishing:
+ 850° C / 30 s for insulating parts holding live parts in place
+ 650° C / 30 s for other parts made of insulating materials

6.2 Electrical characteristics

Input: 230V~ 50/60Hz
Output: 230V~ 50/60Hz or 115V~ 50/60Hz

6.3 Climatic characteristics

Storage temperatures: -10° C to +70° C
Operating temperatures: -5° C to +50° C

6.4 Mechanical characteristics

Impact test: IK04
Protection against solids & liquids: IP20

7. CLEANING

Surface cleaning with a soft, slightly damp cloth.
Do not use: acetone, tar remover, trichloroethylene

8. CONFORMITY - APPROVALS

Conform to IEC 61558-2-5, EN61558-2-5.