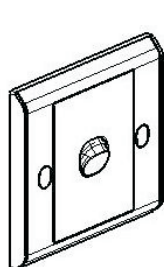
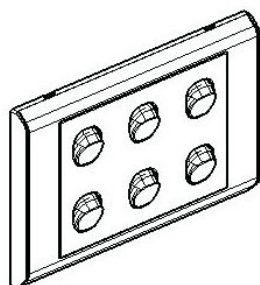


Belanko™ 10 AX switches small rocker

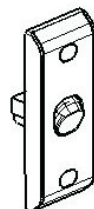
Cat. No(s): 6 171 00/01/02/03/04/05
6 171 06/07/08/09/10/15



6 171 00/01



6 171 10



6 171 15

CONTENTS

1. Use.....	1
2. Range.....	1
3. Preparation.....	1/2
4. Overall dimensions.....	2
5. Connection.....	2/3
6. Operation.....	3
7. Technical characteristics.....	3
8. Cleaning.....	3
9. Conformity - Approvals.....	3

1. USE

General lighting control mechanisms.

2. RANGE

	Designation	Cat. No.	Weight (g)	Characteristics
	1 gang 1 way	6 171 00	37	10 AX - 250VAC
	1 gang 2 way	6 171 01	40	10 AX - 250VAC
	2 gang 1 way	6 171 02	48	10 AX - 250VAC
	2 gang 2 way	6 171 03	54	10 AX - 250VAC
	3 gang 1 way	6 171 04	57	10 AX - 250VAC
	3 gang 2 way	6 171 05	66	10 AX - 250VAC
	4 gang 1 way	6 171 06	67	10 AX - 250VAC
	4 gang 2 way	6 171 07	79	10 AX - 250VAC
	5 gang 1 way	6 171 08	74	10 AX - 250VAC

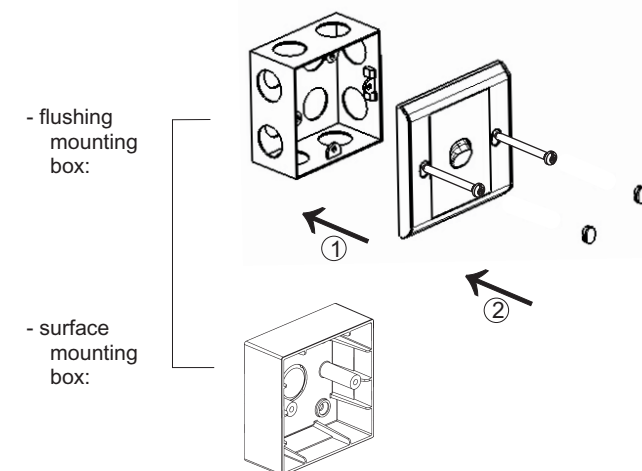
	Designation	Cat. No.	Weight (g)	Characteristics
	6 gang 1 way	6 171 10	111	10 AX - 250VAC
	Intermediate	6 171 09	45	10 AX - 250VAC
	1 gang 1 way architrave	6 171 15	22	10 AX - 250VAC

Colours

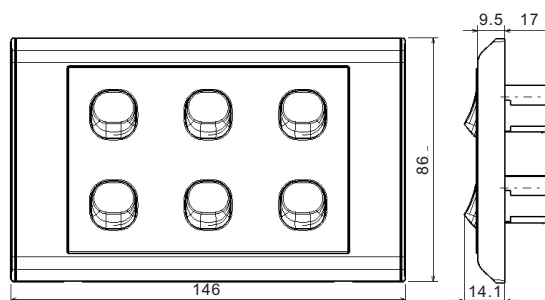
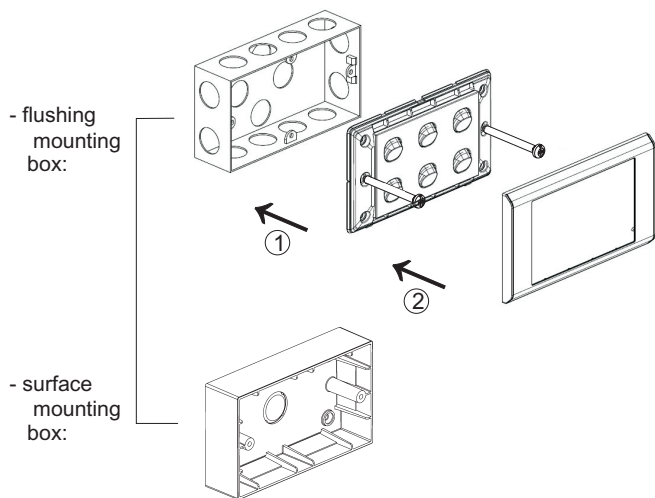
- front: white T084
- rear: black

3. PREPARATION

3.1 General preparation (1G, 2G, 3G, 4G, 5G)



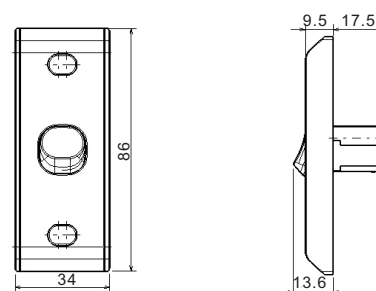
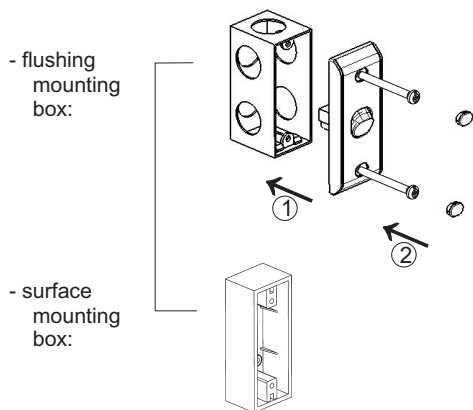
3.2 Preparation with 6G



6 171 10

Profile Size: 146 x 86 mm
 Distance of installation hole: 120.6 mm

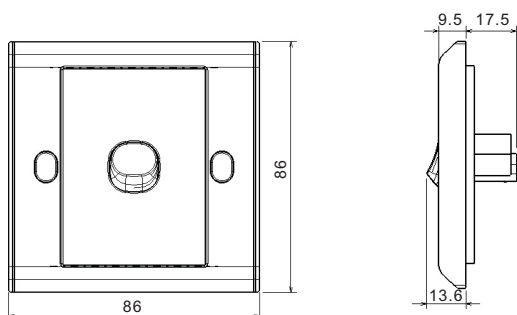
3.3 Preparation with architrave



6 171 15

Profile Size: 34 x 86 mm
 Distance of installation hole: 60.3 mm

4. OVERALL DIMENSIONS



6171 00/01/02/03/04/05/06/07/08

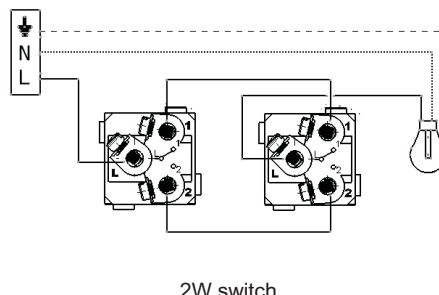
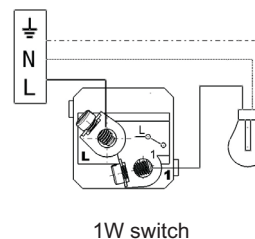
Profile Size: 86 x 86 mm
 Distance of installation hole: 60.3 mm

5. CONNECTION

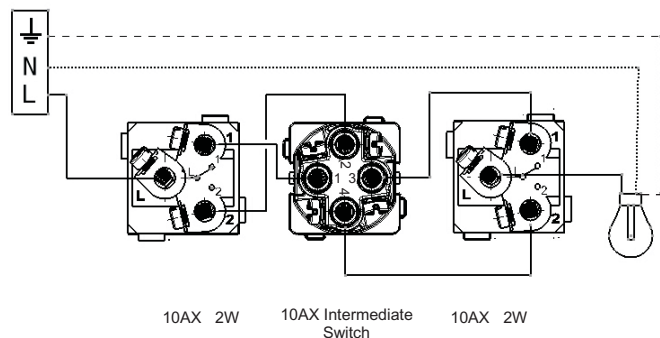
5.1 Terminals

- Terminal capacity: 3 x 1 mm²
- 3 x 1.5 mm²
- 1 x 2.5 mm²
- 1 x 4 mm²

Recommended screwdriver size: 4 mm flat blade
 Recommended stripping length: 8 mm



5.2 Circuit diagrams (continued)



6. OPERATION

Switch mechanism (handling force: 3.9 N)

7. TECHNICAL CHARACTERISTICS

7.1 Material characteristics

Rocker: Polycarbonate

Frame: Polycarbonate

Base: Polyamide

Self-extinguishing: 650° C / 30s

7.2 Electrical characteristics

Voltage: 250 VAC

Current: 10 AX

7.3 Climatic characteristics

Storage temperatures: -10° C to + 70° C

Operating temperatures: -5° C to + 50° C

7.4 Mechanical characteristics

Impact test: IK04

Protection against liquids: IP40

8. CLEANING

Surface cleaning with a soft, slightly damp cloth.

Do not use: acetone, tar remover, trichloroethylene

9. CONFORMITY - APPROVALS

Conform to BS EN 60669-1; MS/IEC 60669-1; SS227