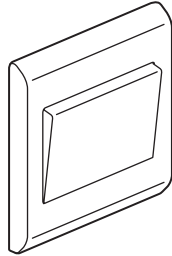
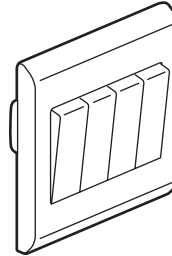


**Belanko™**  
**Single pole switches 10 AX**  
**Large rocker**

Cat. No(s): 6 170 00/01/02/03/04/05/06/07/09 - 6 172 00/01/02/03/04/05/06/07/09  
 6 173 00/01/02/03/04/05/06/07/09 - 6 174 00/01/02/03/04/05/06/07/09



6 170 00



6 170 06

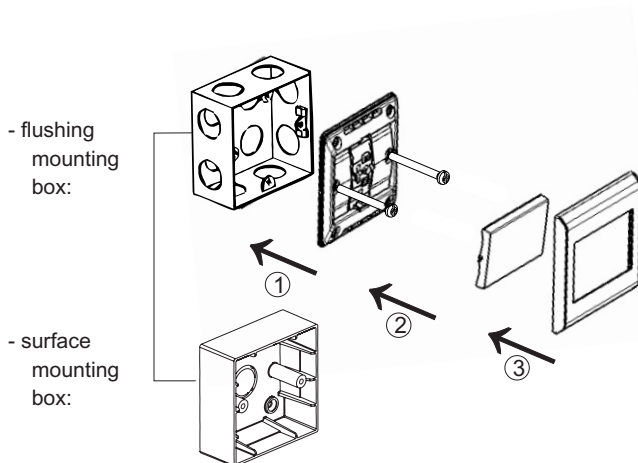
**1. USE**

General control mechanisms, complete delivered.  
 Supplied with 2 screws M3.5 for BS boxes.  
 Flush-mounting or surface-mounting.

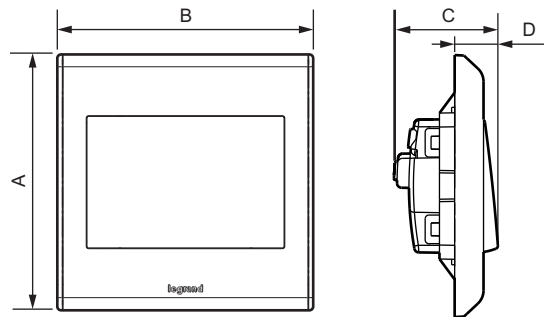
**2. RANGE**

	White	Ivory	Dark Grey	Brown
1 gang - 1-way switch	6 170 00	6 172 00	6 173 00	6 174 00
1 gang - 2-way switch	6 170 01	6 172 01	6 173 01	6 174 01
2 gang - 1-way switch	6 170 02	6 172 02	6 173 02	6 174 02
2 gang - 2-way switch	6 170 03	6 172 03	6 173 03	6 174 03
3 gang - 1-way switch	6 170 04	6 172 04	6 173 04	6 174 04
3 gang - 2-way switch	6 170 05	6 172 05	6 173 05	6 174 05
4 gang - 1-way switch	6 170 06	6 172 06	6 173 06	6 174 06
4 gang - 2-way switch	6 170 07	6 172 07	6 173 07	6 174 07
Intermediate switch	6 170 09	6 172 09	6 173 09	6 174 09

**3. PREPARATION**



**4. DIMENSIONS(mm)**

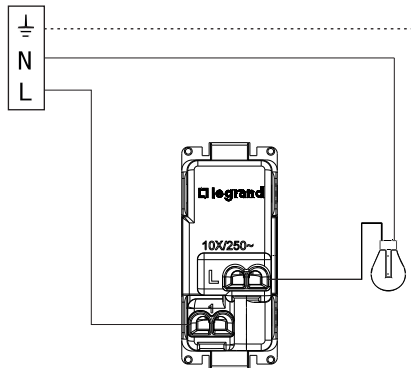


Cat. Nos	A	B	C	D
6 170 00/01/02/03/04/05/06/07 6 172 00/01/02/03/04/05/06/07 6 173 00/01/02/03/04/05/06/07 6 173 00/01/02/03/04/05/06/07	86	86	34.5	9.5
6 170 09 - 6 172 09 - 6 173 09 - 6 174 09	86	86	33.5	9.5

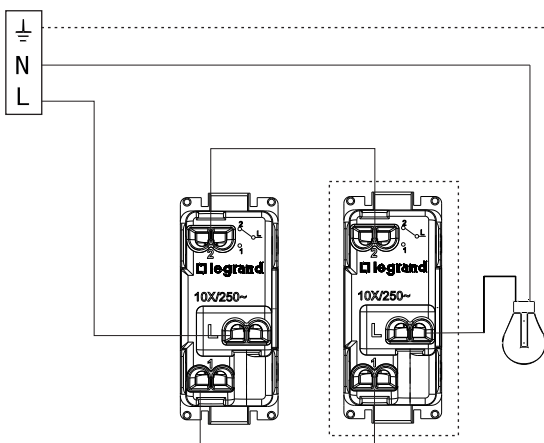
**5. CONNECTION**

5.1 Terminals  
 Type of terminals: with screws  
 Terminals capacity: 4 x 1 mm<sup>2</sup>  
 4 x 1.5 mm<sup>2</sup>  
 2 x 2.5 mm<sup>2</sup>  
 2 x 4 mm<sup>2</sup>  
 Stripping length: 8 mm  
 Screwdriver: 4 mm flat blade  
 Flexible or rigid cables compatible

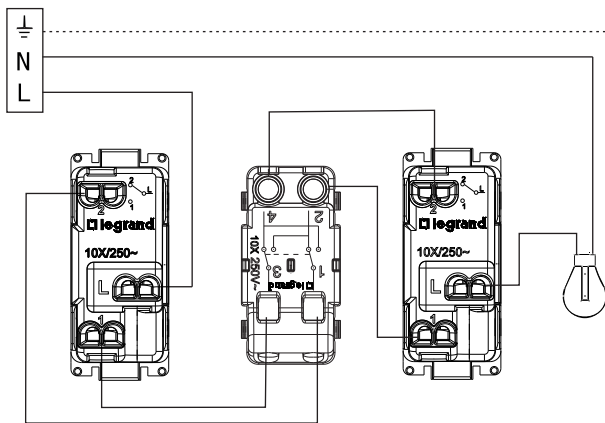
5.2 Circuit diagrams



1W switch



2W switch



Intermediate switch

**6. TECHNICAL CHARACTERISTICS**

6.1 Mechanical characteristics

Protection against impact: IK 04

Protection against solid bodies and liquids: IP 40

6.2 Material characteristics

Thermoplastic with glossy finish (White - Ivory)

Colour: White T084: PC

Ivory: PC

Dark Grey: PC painted

Brown: PC painted

Halogen free

UV resistant

Self-extinguishing:

- + 850° C / 30 s for insulating parts holding live parts in place
- + 650° C / 30 s for other parts made of insulating materials

6.3 Electrical characteristics

Voltage: 250 V~

Current: 10 AX

Frequency: 50/60 Hz

6.4 Climatic characteristics

Storage temperature: - 10° C to + 70° C

Operating temperature: - 5° C to + 35° C

**7. MAINTENANCE**

Surface cleaning with a cloth.

Do not use: acetone, tar remover, trichloroethylene.

Maintenance with the following products: Hexane (EN 60669-  
 Methylated spirit, Soapy water, Diluted ammonia, Bleach diluted to 10%,  
 Window-cleaning products.

Caution: A preliminary test should be carried out if other specific  
 cleaning products are to be used.

**8. STANDARDS AND APPROVALS**

Conform to BS EN 60669-1 - MS/IEC 60669-1 - SS227