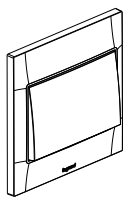
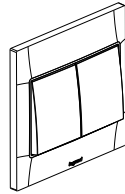


Belanko™ S 16 AX Switches

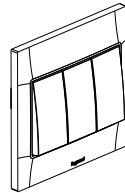
Cat. No(s): 6 17X 00/01/02/03/04/05/06/07/09



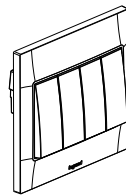
6 17X 00/01/09



6 17X 02/03



6 17X 04/05



6 17X 06/07

CONTENTS

1. Use.....	1
2. Range.....	1
3. Preparation.....	1
4. Overall dimensions.....	1
5. Connection.....	2
6. Technical characteristics.....	2
7. Cleaning.....	2
8. Conformity - Approvals.....	2

1. USE

General lighting control mechanisms.
(Supplied with M3.5 screws for BS boxes. Flush mounting or surface mounting.)

2. RANGE

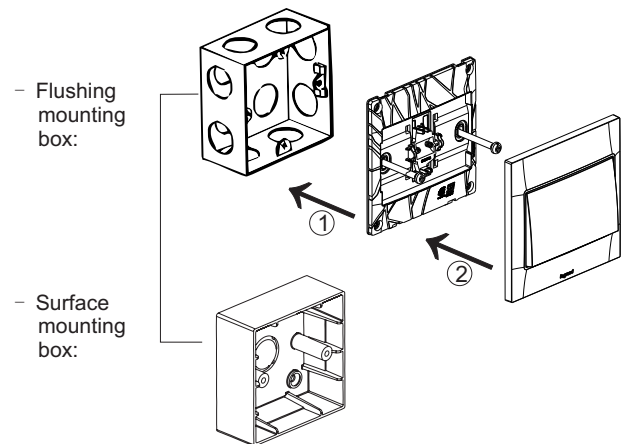
	Designation	Cat. No.	Weight(g)
	1 Gang 1 WAY	6 17X 00	55
	1 Gang 2 WAY	6 17X 01	57
	1 Gang Intermediate	6 17X 09	65
	2 Gang 1 WAY	6 17X 02	64
	2 Gang 2 WAY	6 17X 03	70
	3 Gang 1 WAY	6 17X 04	72
	3 Gang 2 WAY	6 17X 05	78
	4 Gang 1 WAY	6 17X 06	80
	4 Gang 2 WAY	6 17X 07	87

Colours

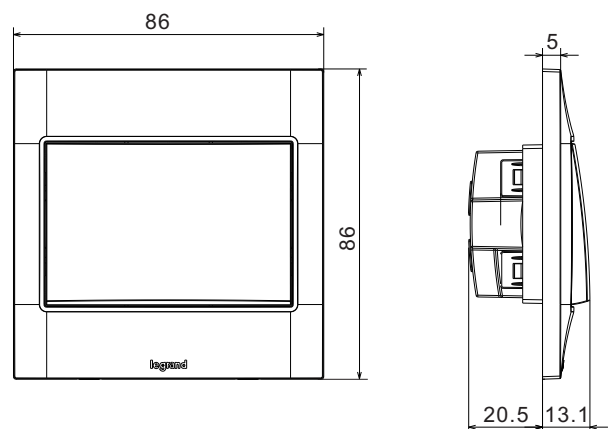
- Front: white/anthracite/ivory
- Rear: grey
- 6 176 XX White
- 6 177 XX Anthracite
- 6 178 XX Ivory

3. PREPARATION

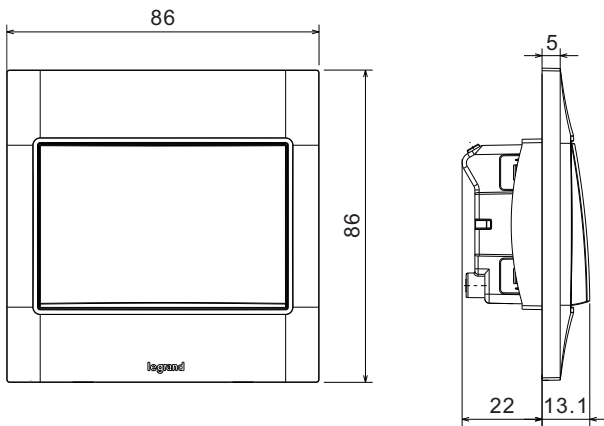
3.1 General preparation



4. OVERALL DIMENSIONS



One/Two way switch



Intermediate switch

Profile Size: 86×86mm
Distance of installation hole: 60.3 mm
Minimum depth of the box>35 mm

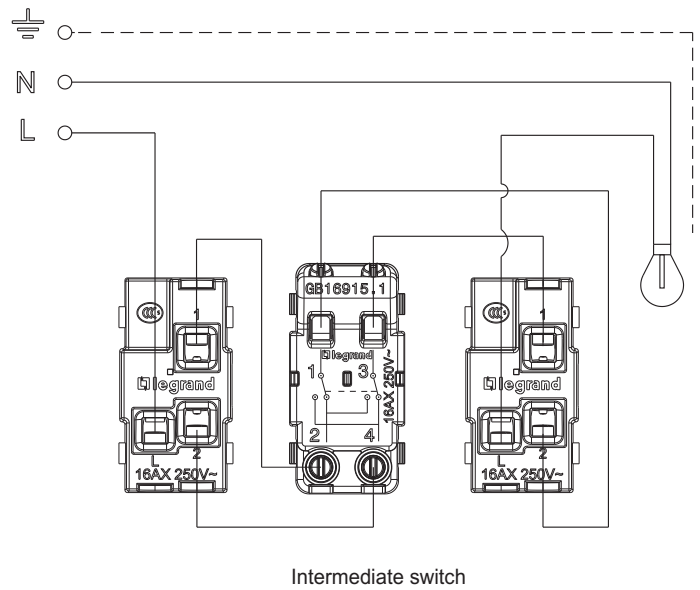
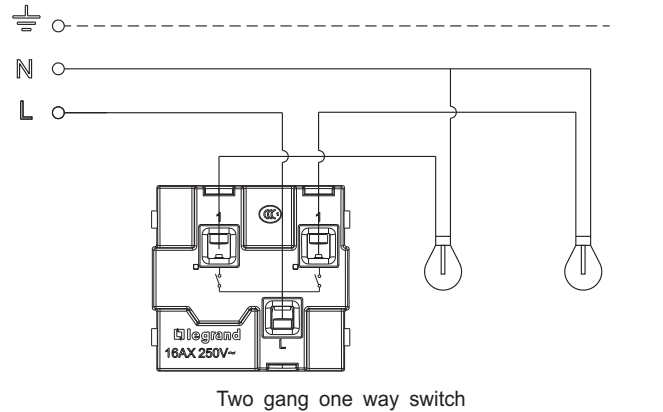
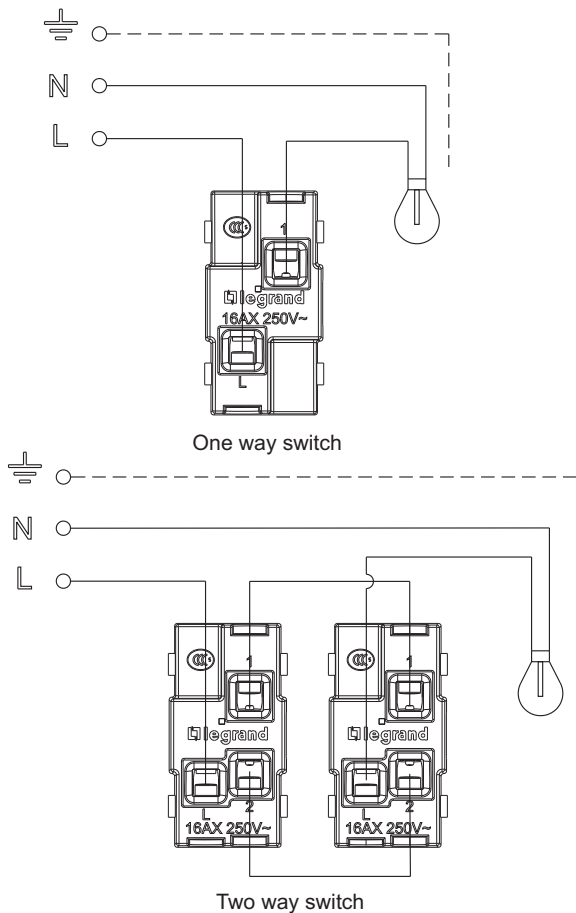
5. CONNECTION

5.1 Terminals

Terminal capacity: 3 X 1 mm²
3 X 1.5 mm²
2 X 2.5 mm²
1 X 4 mm²

Recommended screwdriver size: <4 mm flat blade
Recommended stripping length: 12 mm
Recommended terminal tightening torque: 0.5Nm

5.2 Circuit diagrams



6. TECHNICAL CHARACTERISTICS

6.1 Material characteristics

Rocker: Polycarbonate
Frame: Polycarbonate
Base: PP
Self-extinguishing:
+ 850° C / 30 s for insulating parts holding live parts in place
+ 650° C / 30 s for other parts made of insulating materials

6.2 Electrical characteristics

Voltage: 250V~
Current: 16AX

6.3 Climatic characteristics

Storage temperatures: -10°C to +70°C
Operating temperatures: -5°C to +50°C

6.4 Mechanical characteristics

Impact test: IK04
Protection against solids & liquids: IP20

7. CLEANING

Surface cleaning with a soft, slightly damp cloth.
Do not use: acetone, tar remover, trichloroethylene

8. CONFORMITY - APPROVALS

Conform to BS EN 60669-1 ; MS/IEC 60669-1; SS227.