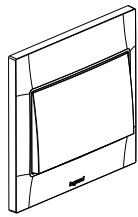
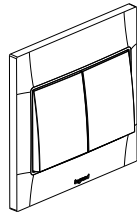


# Belanko™ S 20 AX Switches

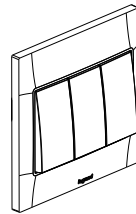
Cat. No(s): 6 17X 20/21/22/23/24/25



6 17X 20/21



6 17X 22/23



6 17X 24/25

## CONTENTS

1. Use.....	1
2. Range.....	1
3. Preparation.....	1
4. Overall dimensions.....	1
5. Connection.....	2
6. Technical characteristics.....	2
7. Cleaning.....	2
8. Conformity - Approvals.....	2

## 1. USE

General lighting control mechanisms.  
(Supplied with M3.5 screws for BS boxes. Flush mounting or surface mounting.)

## 2. RANGE

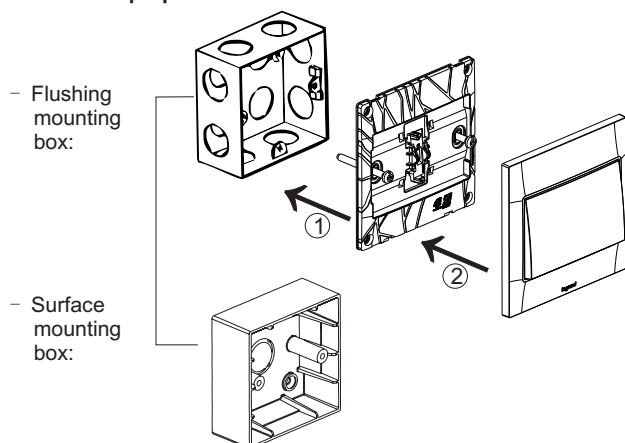
	Designation	Cat. No.	Weight(g)
	1 Gang 1 WAY	6 17X 20	55
	1 Gang 2 WAY	6 17X 21	57
	2 Gang 1 WAY	6 17X 22	64
	2 Gang 2 WAY	6 17X 23	70
	3 Gang 1 WAY	6 17X 24	72
	3 Gang 2 WAY	6 17X 25	78

## Colours

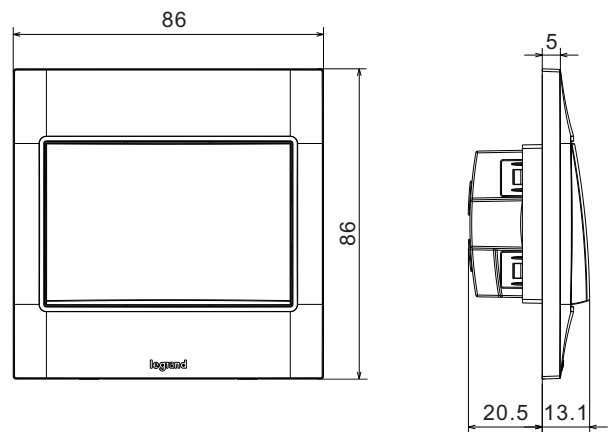
- Front: white/anthracite/ivory
- Rear: grey
- 6 176 XX White
- 6 177 XX Anthracite
- 6 178 XX Ivory

## 3. PREPARATION

### 3.1 General preparation



## 4. OVERALL DIMENSIONS



One/Two way switch

Profile Size: 86 × 86 mm  
Distance of installation hole: 60.3 mm  
Minimum depth of the box > 35 mm

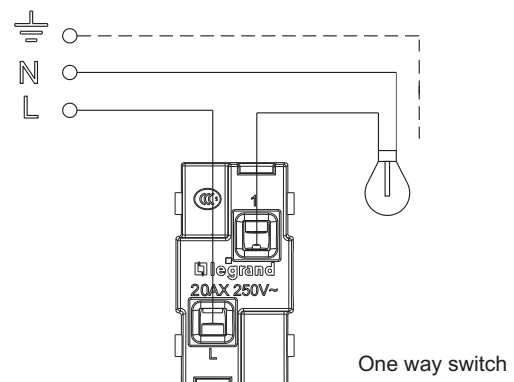
## 5. CONNECTION

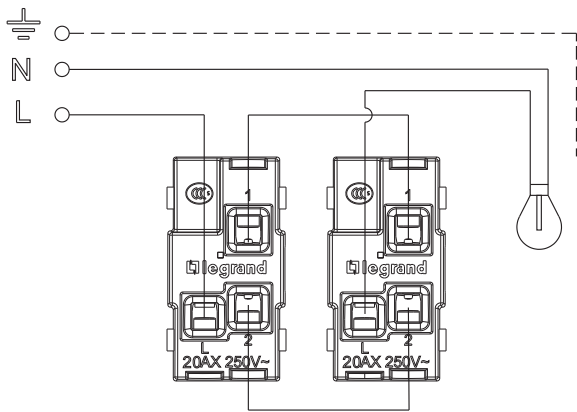
### 5.1 Terminals

- Terminal capacity: 3 X 1.5 mm<sup>2</sup>
- 2 X 2.5 mm<sup>2</sup>
- 1 X 4 mm<sup>2</sup>

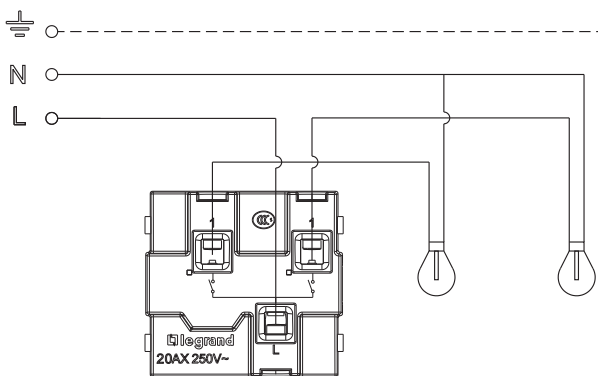
Recommended screwdriver size: < 4 mm flat blade  
Recommended stripping length: 12 mm  
Recommended terminal tightening torque: 0.5 Nm

### 5.2 Circuit diagrams





Two way switch



Two gang one way switch

## 6. TECHNICAL CHARACTERISTICS

### 6.1 Material characteristics

Rocker: Polycarbonate  
 Frame: Polycarbonate  
 Base: PP  
 Self-extinguishing:  
 + 850° C / 30 s for insulating parts holding live parts in place  
 + 650° C / 30 s for other parts made of insulating materials

### 6.2 Electrical characteristics

Voltage: 250V~  
 Current: 20AX

### 6.3 Climatic characteristics

Storage temperatures: -10°C to +70°C  
 Operating temperatures: -5°C to +50°C

### 6.4 Mechanical characteristics

Impact test: IK04  
 Protection against solid & liquids: IP20

## 7. CLEANING

Surface cleaning with a soft, slightly damp cloth.  
 Do not use: acetone, tar remover, trichloroethylene

## 8. CONFORMITY - APPROVALS

Conform to BS EN 60669-1 ; MS/IEC 60669-1; SS227.