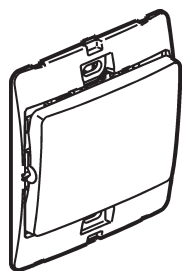
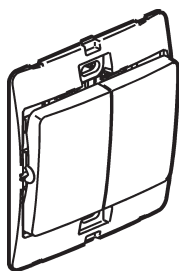


Mallia™ 20 AX switches SP dressable colour

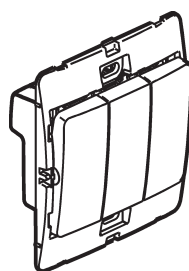
Cat. No(s): 2 830 50/51/52/53/54/55/69
2 832 50/51/52/53/54/55/69
2 834 50/51/52/53/54/55/69



2 830 50/51/69
2 832 50/51/69
2 834 50/51/69



2 830 52/53
2 832 52/53
2 834 52/53



2 830 54/55
2 832 54/55
2 834 54/55

CONTENTS

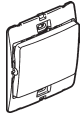



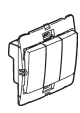
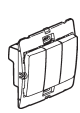

Pages

1. Use	1
2. Range	1
3. Preparation	2
4. Overall dimensions	2
5. Connection	2
6. Operation	2
7. Technical characteristics	3
8. Cleaning	3
9. Accessories	3

1. USE

General lighting control mechanisms with or without marking elements (label holder).

2. RANGE

	Designation	Finishes			Connection method	Weight (g)	Characteristics
		Silver	Pearl	Dark Silver			
	1 gang 1 way switch	2 830 50	2 832 50	2 834 50	with screws	49	20 AX - 250 VAC
	1 gang 2 way switch	2 830 51	2 832 51	2 834 51	with screws	53	20 AX - 250 VAC
	2 gang 1 way switch	2 830 52	2 832 52	2 834 52	with screws	68	20 AX - 250 VAC
	2 gang 2 way switch	2 830 53	2 832 53	2 834 53	with screws	78	20 AX - 250 VAC
	3 gang 1 way switch	2 830 54	2 832 54	2 834 54	with screws	87	20 AX - 250 VAC
	3 gang 2 way switch	2 830 55	2 832 55	2 834 55	with screws	103	20 AX - 250 VAC
	1 gang switch intermediate	2 830 69	2 832 69	2 834 69	with screws	100	20 AX - 250 VAC

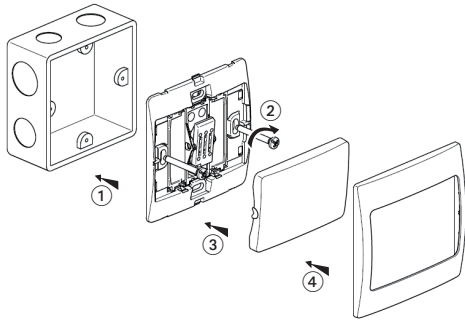
Mallia™

20 AX switches SP dressable colour

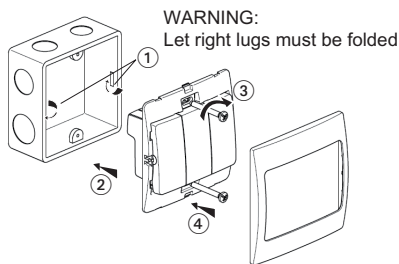
Cat. No(s): 2 830 50/51/52/53/54/55/69
 2 832 50/51/52/53/54/55/69
 2 834 50/51/52/53/54/55/69

3. PREPARATION

3.1 General preparation (1G, 2G switches):



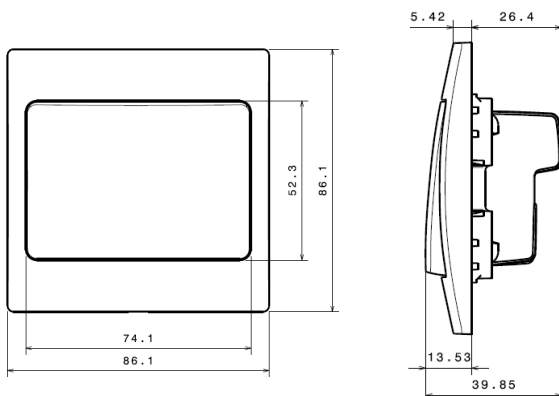
3.2 Preparation with 3G switches:



Plastic 4 lugs box



4. OVERALL DIMENSIONS



Profile size: 86 x 86 mm
 Distance of installation hole: 60.3 mm

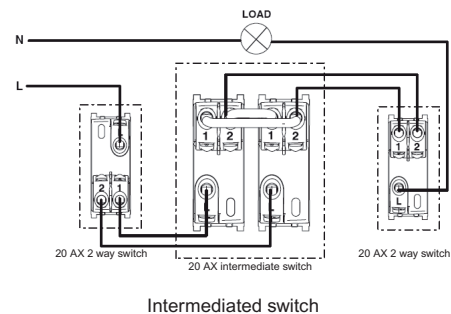
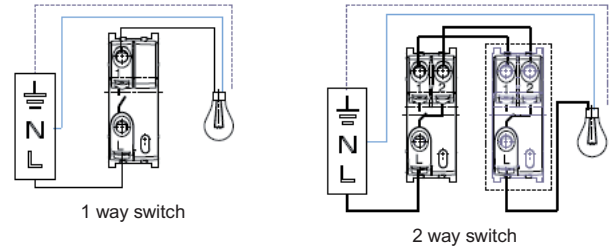
5. CONNECTION

5.1 Terminals

Terminal capacity: 3 x 2.5 mm²
 2 x 4.0 mm²
 1 x 6.0 mm²

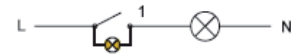
Recommended screwdriver size: 4 mm flat blade
 Recommended terminal tightening torque: 0.5 Nm
 Stripping: 12 mm

5.2 Circuit diagrams



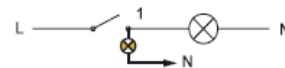
Wiring of LED*:

1. 1 way locator (green LED)

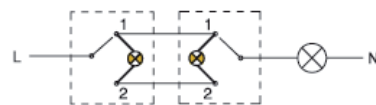


Warning! Don't use red LED with this connecting mode.

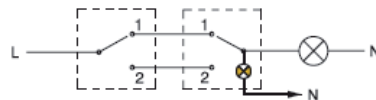
2. 1 way indicator (red LED)



3. 2 way locator (green LED)



4. 2 way indicator (red LED)



*Change rockers to rockers with lens from 10 A switches.

6. OPERATION

Switch mechanism (handling force 2 to 3 N).

Mallia™

20 AX switches SP dressable colour

Cat. No(s): 2 830 50/51/52/53/54/55/69
2 832 50/51/52/53/54/55/69
2 834 50/51/52/53/54/55/69

7. TECHNICAL CHARACTERISTICS

7.1 Mechanical characteristics

Impact tests: IK04

Protection against liquids: IP41

7.2 Material characteristics

Rocker: Polycarbonate

Support: Polycarbonate

Base: Polypropylene

7.3 Electrical characteristics

Self-extinguishing: 650°C / 30 s

Voltage: 250 V

Current: 20 AX

7.4 Climatic characteristics

Storage temperatures: - 10°C to + 70°C

Operating temperatures: - 5°C to + 50°C

8. CLEANING

Surface cleaning with a soft, slightly damp cloth.

Do not use: acetone, tar remover, trichloroethylene.

Résistance to the following cleaning agents:

Hexane (EN 60669-1), Methylated spirits, Soapy water, Diluted ammonia, Diluted pure bleach 10 %, Glass cleaning substance, Pre-impregnated wipes.

Caution: A preliminary test should be carried out if other specific cleaning products are to be used.

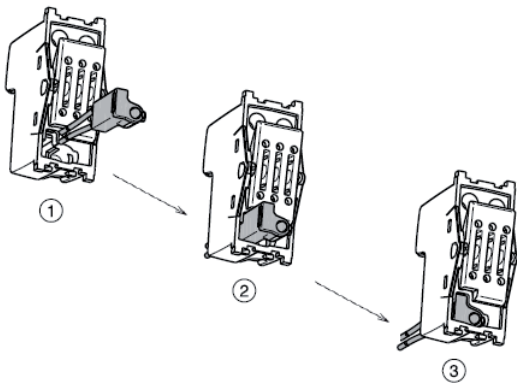
9. ACCESSORIES

9.1 Lamps for locator or indicator light*

2 819 97: LED 220 V~, green - low consumption / 0.05 mA

2 819 98: LED 220 V~, red - high luminosity / 1mA

Installation of LED:



9.2 Transparent rocker with label holders

2 818 95: 1 gang



2 818 96: 2 gang



2 818 97: 3 gang

