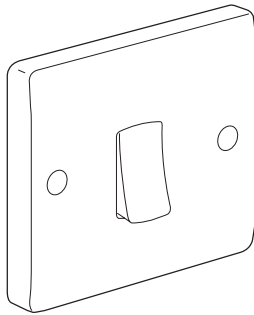
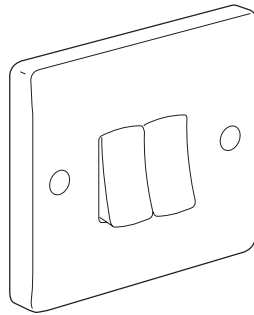


## Synergy™ 20 AX Switches

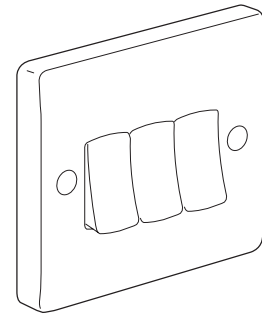
Cat. No(s): 7 301 30/31/32/33/34/35



7 301 30



7 301 34



7 301 35

### 1. USE

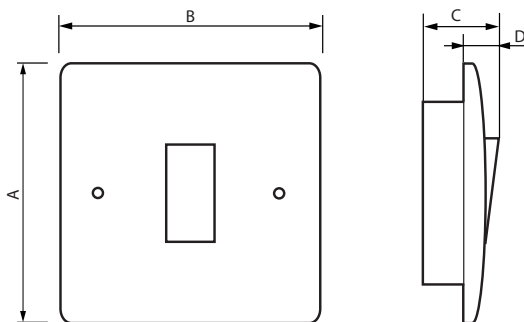
Lighting control switches complete delivered, with compact mechanisms for maximum wiring space.

One Gang switches can be optionally equipped with LED indicators/locators. For flush-mounting, back box to be min. 16 mm depth. Fixing with screws.

### 2. RANGE

Cat. Nos	Description	Characteristics
7 301 30 7 301 31	1 Gang - 1 way 1 Gang - 2 way	20 AX - 250 V~ 20 AX - 250 V~
7 301 34 7 301 32	2 Gang - 1 way 2 Gang - 2 way	20 AX - 250 V~ 20 AX - 250 V~
7 301 35 7 301 33	3 Gang - 1 way 3 Gang - 2 way	20 AX - 250 V~ 20 AX - 250 V~

### 3. OVERALL DIMENSIONS (mm)



Cat. Nos	A	B	C	D
7 301 30/31/32 7 301 33/34/35	86	86	27.5	11.5

### 4. CONNECTION

Type of terminals: with screws

Terminal capacity: 3 x 2.5 mm<sup>2</sup> - 2 x 4 mm<sup>2</sup> - 1 x 6 mm<sup>2</sup>

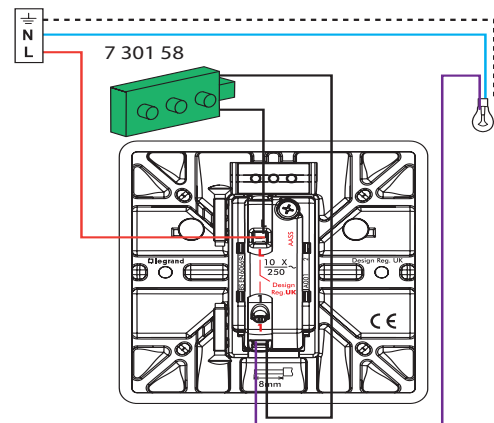
Stripping length: 8 mm

Compatible with flexible or rigid cables.

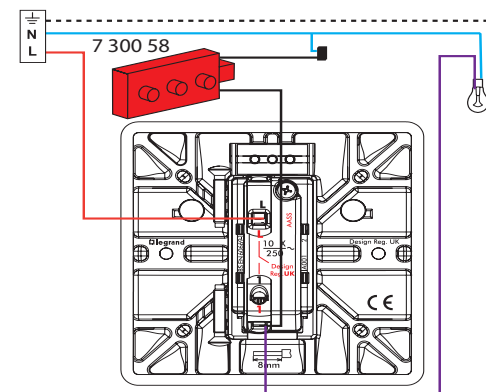
### 5. SWITCHES WITH LED INDICATORS/LOCATORS

Can be used as indicators or locators. When used as an indicator a neutral supply has to be brought to the unit.

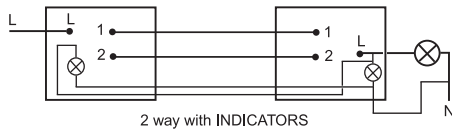
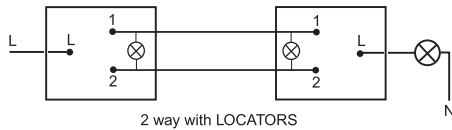
#### Locator



#### Power indicator



## 5. SWITCHES WITH LED INDICATORS/LOCATORS *(Continued)*



## 6. TECHNICAL CHARACTERISTICS

### ■ 5.1 Mechanical characteristics

Impact tests: IK 01

Penetration by solid bodies/liquids: IP 2X

### ■ 5.2 Material characteristics

Rocker and plate: Thermoset urea self-extinguishing at 960° C / 30 s

Mechanism housing: Polypropylene self-extinguishing at 850° C / 30 s

Screw caps: Polycarbonate

Halogen free

UV resistant

### ■ 5.3 Electrical characteristics

Voltage: 250 V~

Current: 20 AX

Frequency: 50/60 Hz

Contact clearance > 3 mm

Maximum power on self ballasted lamp load (SBL, LED, CFL Compact Fluorescent Lamp): 250 W

### ■ 5.4 Climatic characteristics

Storage temperature: - 10° C to + 70° C

Use temperature: - 5° C to + 40° C

## 7. CLEANING

Clean the surface with a cloth.

Do not use acetone, tar-removing cleaning agents or trichloroethylene.

Resistance to the following cleaning substances:

Hexane (EN 60669-1), Methylated spirit, Soapy water, Diluted ammonia,

Diluted pure bleach 10%, Glass cleaning product.

**Caution:** An initial test is required for the use of other special maintenance products.

## 8. STANDARDS AND APPROVALS

Compliance with standards of installation and manufacturing.

See e.catalogue.