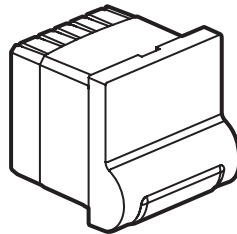


Arteor™ Skirting light

Cat. No(s): 5 722 21 - 5 740 80/82/83



5 722 21 - 5 740 80/82/83

1. USE

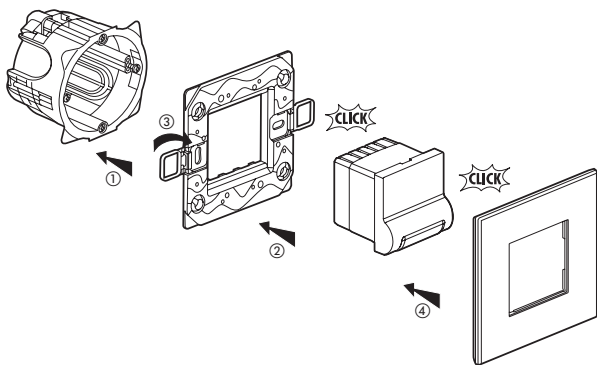
Bulkhead light for skirting by LED's.

2. RANGE

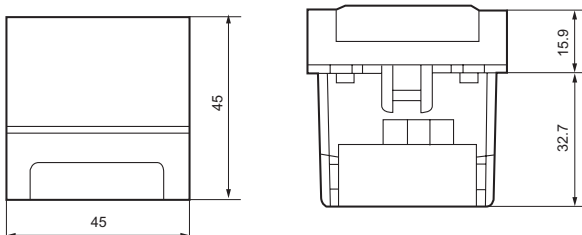
Designation	Finishes				Number of modules	Fixing method	Connection method	Characteristics
	White	Magnesium	Soft Alu	Champagne				
Skirting light with LED	5 722 21	5 740 82	5 740 80	5 740 83	2	with clips	with screws	240V 50/60 Hz

3. PREPARATION

The mechanism can be flush-mounted or surface-mounted.

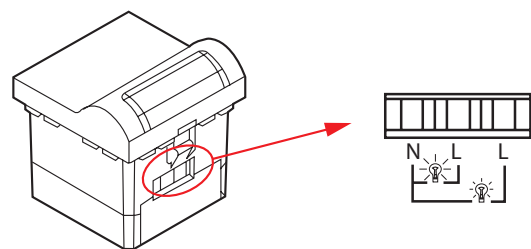


4. OVERALL DIMENSIONS



5. CONNECTION

Type of screwdriver: flat-blade 3.5 mm
 Terminal capacities: 2.5 mm² or 2 x 1.5 mm²
 Stripping length: 8 mm



6. TECHNICAL CHARACTERISTICS

■ 6.1 Mechanical characteristics

Impact tests: IK 04

Protection by solid bodies / liquids: IP 41

■ 6.2 Material characteristics

Base: Polycarbonate



Cover plate: ABS (RAL 9003)

■ 6.3 Electrical characteristics

Voltage: 240 V

Frequency: 50/60 Hz

Self-extinguishing: 650°C/30 s

Power	 1 W	 0.2 W
-------	--	--

■ 6.4 Lighting levels

Measures taken at 30 cm from ground and 10 cm from wall:

- In high brightness position: 1700 cd / m²

- In low brightness position: 350 cd / m²

■ 6.5 Climatic characteristics

Storage temperatures: - 10°C to + 70°C

Operating temperatures: - 5°C to + 50°C

7. CLEANING

Surface cleaning with a cloth

Do not use: acetone, tar remover, trichloroethylene

■ 7.1 Resistance to cleaning agents

Resistance to the following agents: Hexane (EN-60669-1),

Methylated spirits, Soapy water, diluted ammonia, diluted pure bleach

10%, Glass cleaning substance, Pre-impregnated wipes.

■ 7.2 Resistance to hospital-type cleaning agents

Resistance to the following agents: Anios, Surfanios, Bactilisyne, Diluted hydrogen peroxide (35%).

Caution: Always test before using other special cleaning products.

8. STANDARDS AND APPROVALS

Compliance with installation and manufacturing standards.

Refer to e-catalogue.