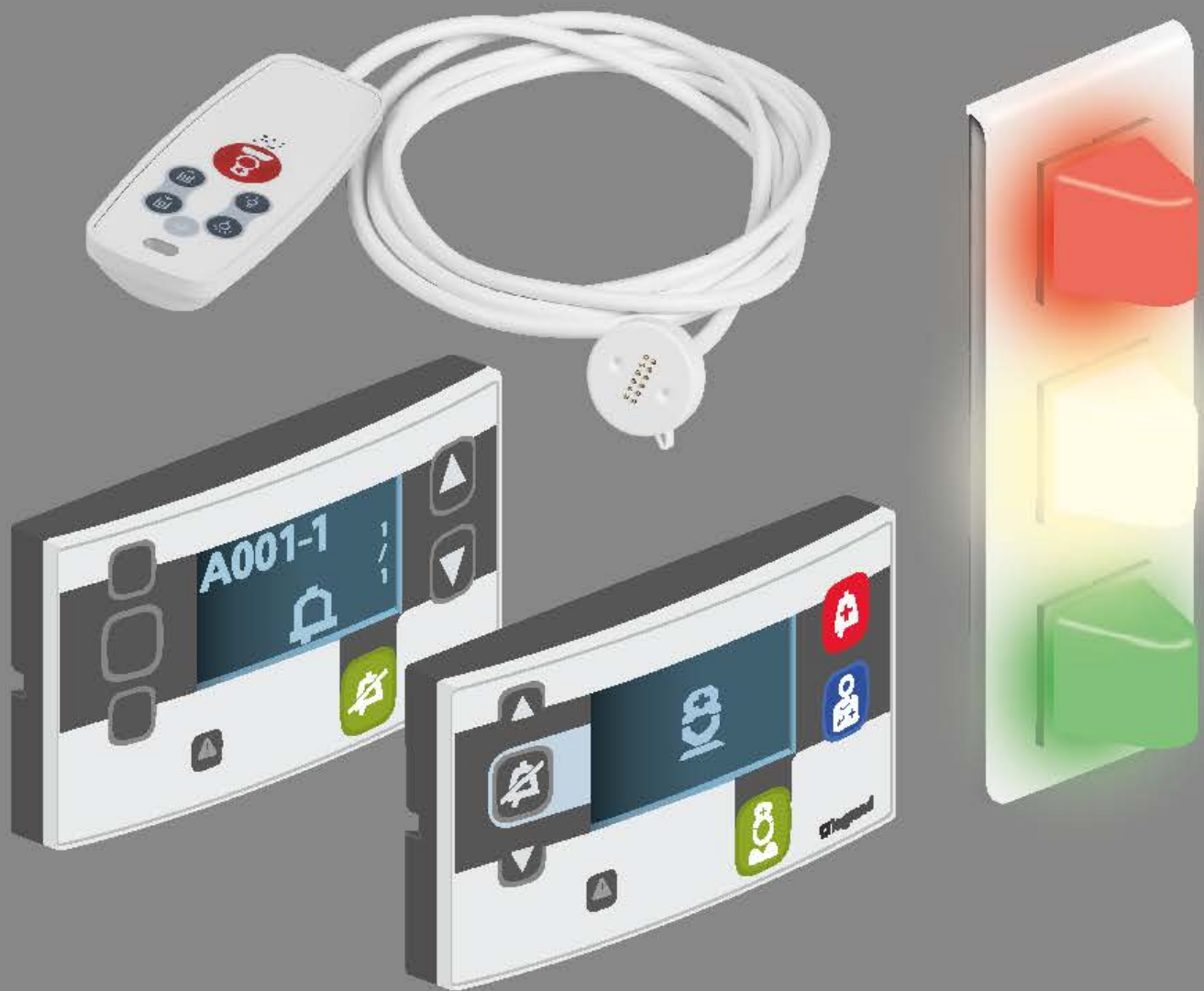


BUS/SCS NURSE CALL SYSTEM



INSTALLATION AND USER GUIDE

 www.legrandoc.com

 **legrand**[®]

Topics

• SPECIFICATION

Refer to pages 6 to 16

• DEFINITION

- Operation pages 64 to 87
- For traceability, refer to the guide for the software 0 766 18
- Call priority and display pages 86 and 87

• DESIGN

- Mimic diagram pages 6 to 16
- Technical data sheets pages 17 to 63
- Diagrams pages 88 to 115

• INSTALLATION

- Electrician: refer to pages 6 to 16 and 88 to 115
- Telephonist: refer to pages 157 to 161

• PROGRAMMING/CONFIGURATION

- In physical configuration (using configurators): refer to pages 116 to 125
- In virtual configuration (software programming): refer to pages 126 to 151

• TRAINING

Refer to pages 64 to 87
Standard training courses can be taken in our approved Innoval centres
Project-specific training courses can be taken in our approved Innoval centres or on site

• COMMISSIONING AND ACCEPTANCE TESTING

- Commissioning: refer to pages 152 to 169
- Acceptance testing: refer to pages 64 to 87

• OPERATION/TRACEABILITY

Refer to pages 64 to 87
For traceability, refer to the guide for the software 0 766 18 and pages 162 to 167

• USE

Refer to pages 64 to 87 and memo sheet LE05065xx

• DIAGNOSTICS/TROUBLESHOOTING/ MAINTENANCE

Refer to pages 168 to 181

• PRODUCT DEVELOPMENTS

Refer to pages 180 and 181

• SYSTEM MODIFICATION

- Diagrams: refer to pages 88 to 115
- Physical configuration (using configurators): refer to pages 116 to 125
- Virtual configuration (software programming): refer to pages 126 to 151
- Operational check: refer to pages 64 to 85 and memo sheet LE05065xx

• REPLACING AN ELIOCAD SYSTEM

Refer to pages 110 to 115

Contents

BUS/SCS INSTALLATION PRINCIPLE

Description of the system architecture	6
Example of installation	6
Installation principle	7
Installation principles for a ward (independent ward)	8
Installation principles for nursing home + residential care home (1 ward with up to 150 rooms in the whole building)	10
Installation principles for interconnected wards (with call forwarding)	12
Installation principles for independent wards with centralised traceability and call forwarding over DECT	14
Example of wiring for maximum BUS/SCS lengths	16

DEVICE PRESENTATION AND INSTALLATION

Cat. No. 0 766 11: Main nurses' control unit ⁽¹⁾	17
Cat. No. 0 766 09: Secondary control unit ⁽¹⁾	17
Cat. No. 0 766 06: Door unit with indicators ⁽¹⁾	19
Cat. No. 0 766 07: Door unit with display unit ⁽¹⁾	20
Cat. No. 0 766 08: Interphone unit ⁽¹⁾	22
Cat. No. 0 782 00L: Patient room microphone	24
Cat. Nos. 0 782 41/46L: Sockets for hand-held remote control units	26
Cat. Nos. 0 782 45/47L: Sockets for hand-held remote control units	28
Cat. Nos. 0 783 77/78/79: Remote control modules	30
Cat. Nos. 0 782 81/82/84: Hand-held remote control units (18W17 →)	32
Cat. No. 0 782 43: Clamp	33
Cat. No. 0 782 19: Bed extension for door units	
Cat. Nos. 0 766 06/07	34
Cat. No. 0 782 48L: Ejectable call pull-cord for bathrooms	35
Cat. No. 0 766 85L: Bathroom call units or call button	36

Cat. No. 0 782 04L: Acknowledgement or remote acknowledgement push-button	37
Cat. No. 51IVXNE1011013-01: Keyless radio receiver	38
Cat. No. 51IVXNE3211003-05: SU bracket	40
Cat. No. 51IVXNE1014002-02: Personal trigger	41
Cat. No. 51IVXNE1016001-01: Personal trigger	41
Cat. No. 51IVXNE1004006-07: Programming NPU	46
Cat. No. 0 782 49: Waterproof call unit for bathrooms or non-standard environments	46
Cat. No. 0 782 51: Call devices for non-standard environments	48
Cat. No. 0 771 50: Biomedical call device, socket	49
Cat. No. 0 782 07: Plug	49
Cat. Nos. 0 766 70/71L/76L: Corridor overdoor light units	50
Cat. Nos. 0 766 04 and 0 766 05: Corridor display units ⁽²⁾	52
Cat. No. 0 766 10: BUS/SCS extension	53
Cat. No. 0 766 18: Traceability software	53
Cat. No. 0 766 17: Traceability interface	54
Cat. No. 0 766 19: DECT interface	55
Cat. No. 0 766 78: Information feedback interface	56
Cat. No. 0 766 42: Electronic buzzer	57
Cat. No. 0 766 15: Virtual configuration software	58
Cat. No. 0 766 16: Configuration kit	58
Cat. No. 0 035 60 or E46ADCN: BUS/SCS power supply	59
Cat. No. 0 634 35 or 346050: BUS/SCS interphone power supply	59
Cat. No. 0 782 90: Indicator power supply	60
Cat. No. 0 035 67 or E49: Auxiliary power supply	60
Cat. No. 0 492 72: 200 m cable from 18W17 upwards	61
Cat. No. 0 492 75: 500 m cable drum from 18W17 upwards	61
Cat. Nos. 0 766 22/21/20: Secure wandering system	62

(1) 0 766 14: surface-mounting box

(2) 0 766 03: projecting bracket for corridor display units

Contents (continued)

OPERATING MODES

Call + nurse presence	64
Bathroom call + nurse presence	66
Call + nurse presence + nurse assistance (emergency call)	68
Bathroom call + nurse presence + nurse assistance (emergency call)	70
Call + nurse presence + high-level emergency call (doctor or crash team)	72
Bathroom call + nurse presence + high-level emergency call (doctor or crash team)	74
Call forwarding between rooms in the presence of a nurse	76
Patient call with interphone installation	78
Inter-room call (1)	80
Inter-room call (2)	82
General call	84

CALL URGENCY/PRIORITY LEVELS . . . 86

WIRING

Call + nurse presence + biomedical installation . . .	88
Call + nurse presence + biomedical installation with interphone	90
Secure wandering installation with call + nurse presence	92
Penal/psychiatric institution call installation with remote acknowledgement by Mosaic push-button or Soliroc push-button	94
Call + nurse presence + biomedical installation + information feedback + traceability interface + DECT interface	96
With keyswitch which allows the hand-held remote control unit to be removed	98
230 V cable and BUS cables (SCS + indicators) installed in corridors of up to 100 rooms	100
230 V cable and BUS cable (SCS + indicators) installed in corridors + DECT interface and RS232/IP interface	102
Rooms of up to 8 beds without bed identification . . .	104

Rooms of up to 4 beds with bed identification. . . .	105
Call + nurse presence installation with radio transmitter and receiver	106
Multipoint bed call + bathroom call with high-resistance call button	108
Toilets in public area	109

WIRING: REPLACING ELIOCAD CALL AND NURSE PRESENCE PROGRAMME SYSTEMS

Overview	110
----------------	-----

WIRING: REPLACING ELIOCAD ADDITIONAL DEVICES WITH BUS/SCS NURSE CALL SYSTEM DEVICES 111

WIRING: REPLACING THE ELIOCAD CALL PROGRAMME WITH THE BUS/SCS NURSE CALL SYSTEM 112

WIRING: DIAGRAM WITH DOOR UNIT LOCATED IN THE ROOM (AS OPPOSED TO THE TECHNICAL CABINET OR CEILING) 113

PARAMETER SETTING

Device configuration	116
Physical device configuration	117
Preparing the plan for virtual configuration (installer)	126
Virtual device configuration	128

PROCEDURE FOR REPLACING A FAULTY BUS/SCS PRODUCT IN VIRTUAL CONFIGURATION

Procedure independent of the installation (standalone)	144
---	-----

COMMISSIONING

Power-up	152
Setting up a ward	152
Commissioning the interphone	154
Configuring feedback from the wards	156
Commissioning the DECT interface Cat. No. 0 766 19	157
Commissioning the traceability interface Cat. No. 0 766 17	162
Commissioning the traceability software Cat. No. 0 766 18	164

MAINTENANCE CODES (VISIBLE ON NURSES' CONTROL UNIT) AND SOFTWARE VERSION

Nurses' control unit diagnostics	168
--	------------

ERROR MESSAGE ON CORRIDOR DISPLAY UNIT169

MAINTENANCE CODES (VISIBLE ON NURSES' CONTROL UNIT)

Nurses' control unit error code	170
Secondary control unit error code	171
Door unit error code	172
Corridor display unit error code	173
BUS/SCS extension error code	174
Traceability interface error code	175
DECT interface error code	176
Door controller error code	177
Error code for information feedback interface	178

TROUBLESHOOTING179

PRODUCT DEVELOPMENTS180

BUS/SCS installation principle

DESCRIPTION OF THE SYSTEM ARCHITECTURE

Fundamental rules to follow when installing the BUS/SCS nurse call system

Patient call system products are associated with personal safety. They should therefore be installed by a qualified electrician, in strict accordance with the conditions of installation and the operating instructions.

A single protection device should be installed for the entire nurse call system (BUS, indicator and display unit power supply). If the entire installation is on the same bus (indicator power supply + BUS power supply), it is possible to install one protection device per ward and to separate the wards using an extension Cat. No. 0 766 10 (providing galvanic isolation), not connecting the indicator power supply cable.

To ensure continuous operation during a mains failure, connect the system to an uninterruptible power supply (generator set and/or inverter). If there is a mains failure longer than 300 ms, all calls prior to the cut may be lost. Power supplies should be distributed at equal distances along the whole length of the BUS.

The nurse call system complies with VDE 0834-1/0834-2 (DIN 41050) standards.

EXAMPLE OF INSTALLATION

A ward can have a maximum of 150 rooms.

A ward can have an average of 50 rooms per power supply unit.

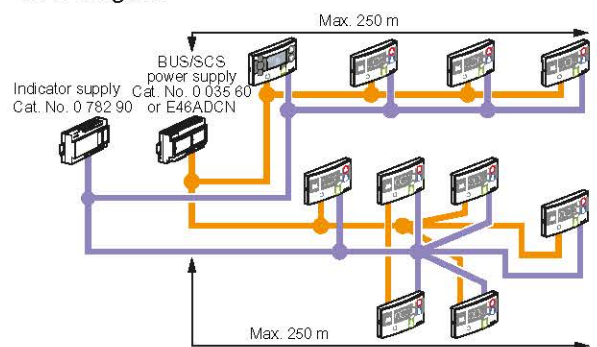
A building can have 14 floors (or 14 wards).

IMPORTANT

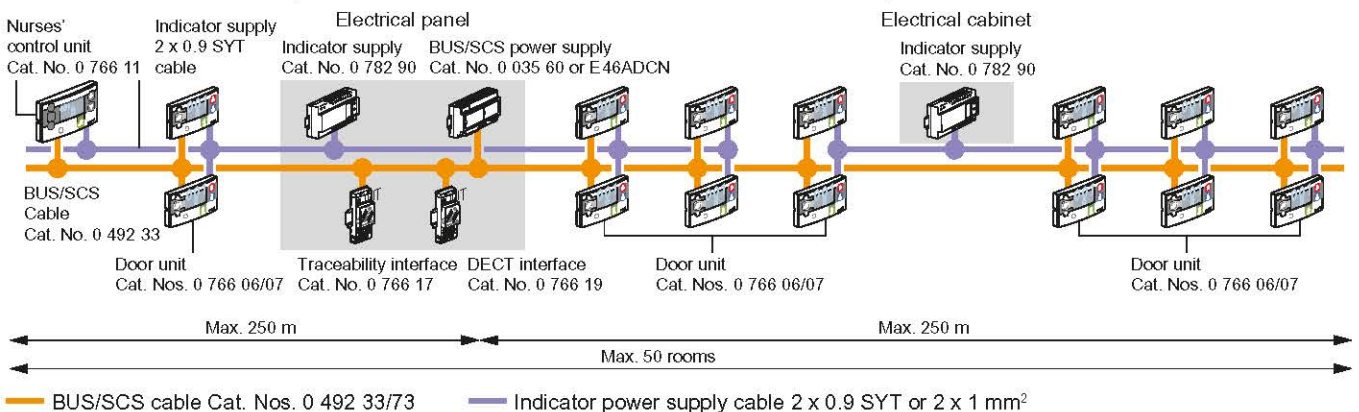
It is essential to install one and only one main nurses' control unit (Cat. No. 0 766 11) per ward.

Installation in a star (recommended)

See section: . Example of wiring for maximum BUS lengths.



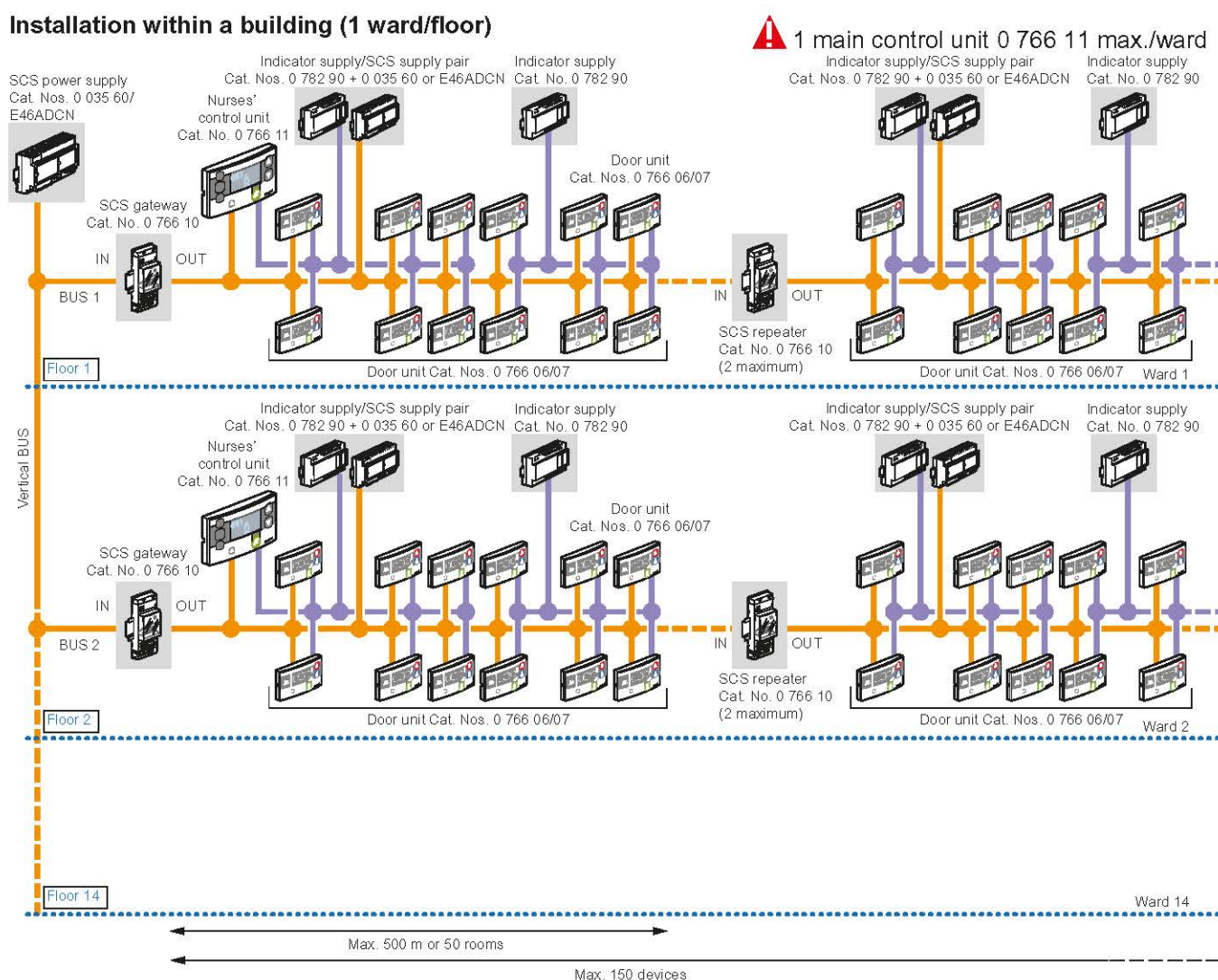
Installation for a ward (1 main nurses' control unit 0 766 11 max./ward)



⚠ The BUS/SCS and indicator cables must be placed in the ELV cable ducting (see NF C 15-100).

INSTALLATION PRINCIPLE

Installation within a building (1 ward/floor)

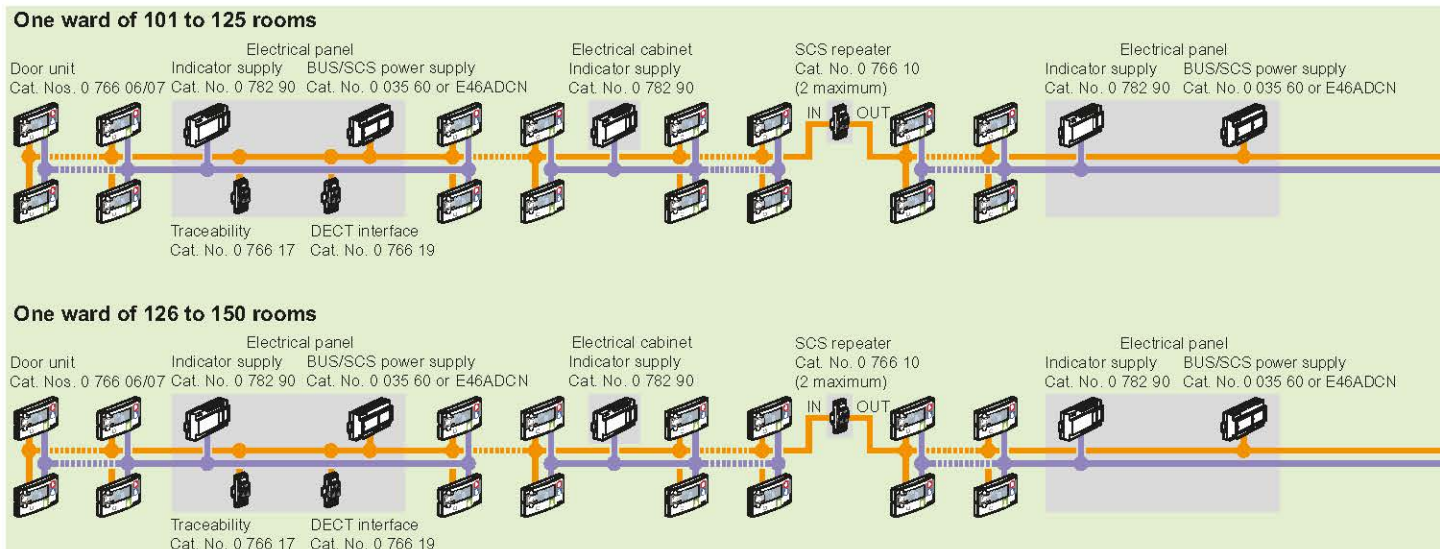
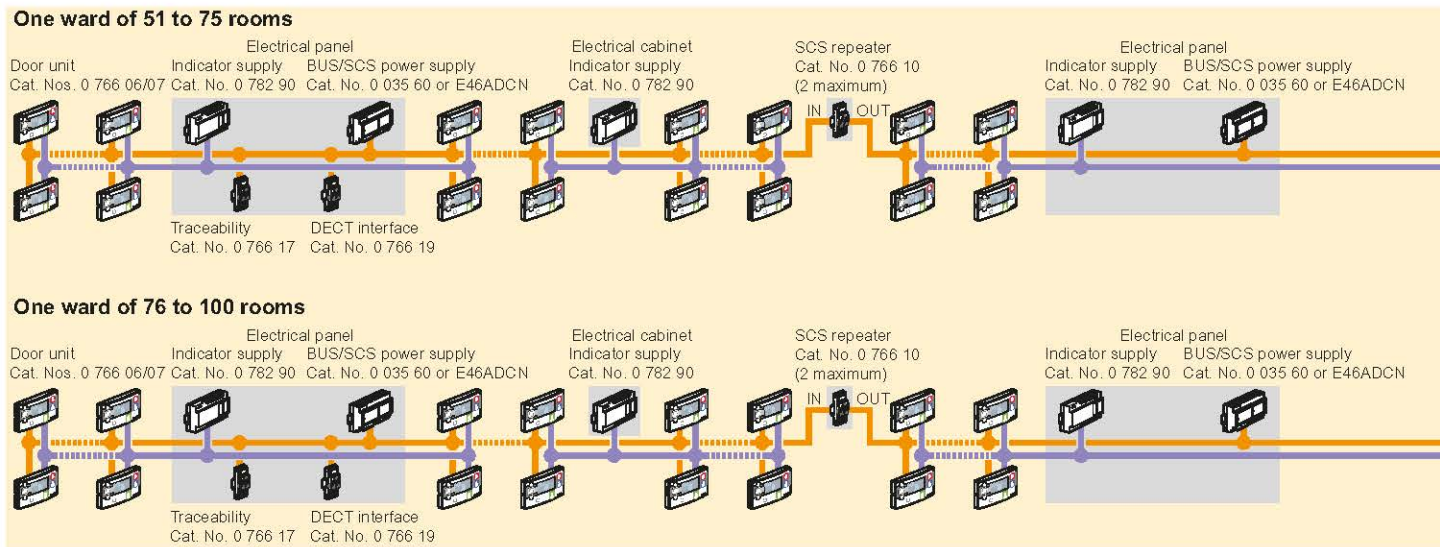
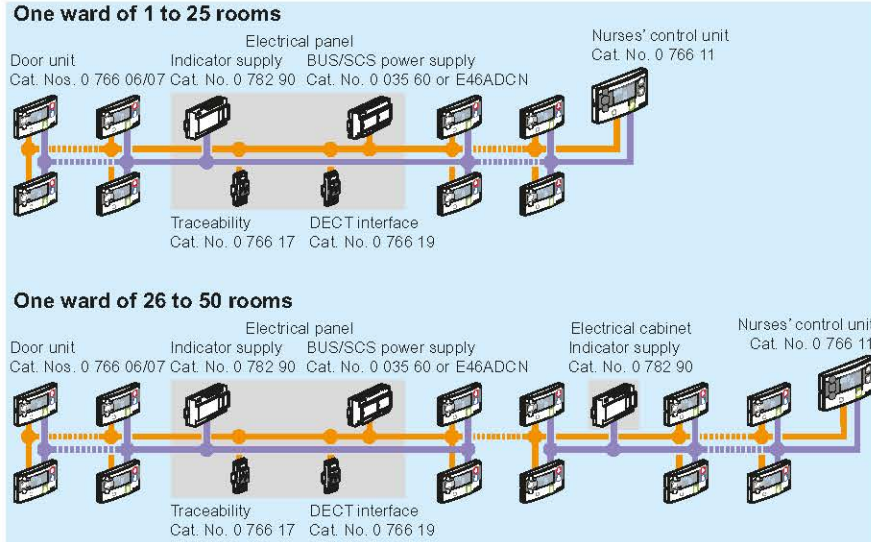


IMPORTANT

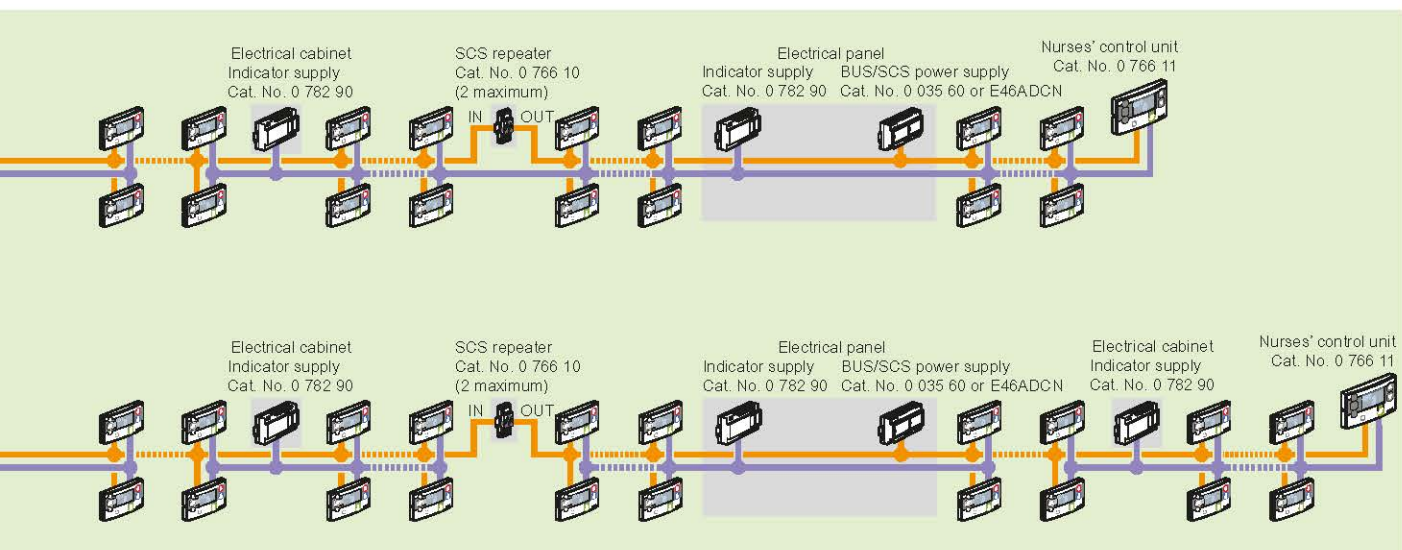
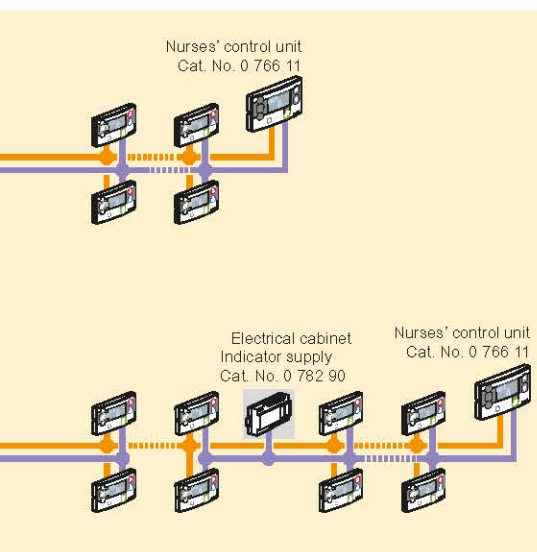
- One BUS power supply for 50 rooms max.
- One indicator power supply for 25 rooms max. (16 in the interphone version)
- An installation can comprise a maximum of 14 control units (Cat. No. 0 766 11) connected on a single vertical BUS, a maximum of 14 wards in virtual configuration and a maximum of 10 wards in physical (or configurator) configuration.

BUS/SCS installation principle (continued)

INSTALLATION PRINCIPLES FOR A WARD (INDEPENDENT WARD)

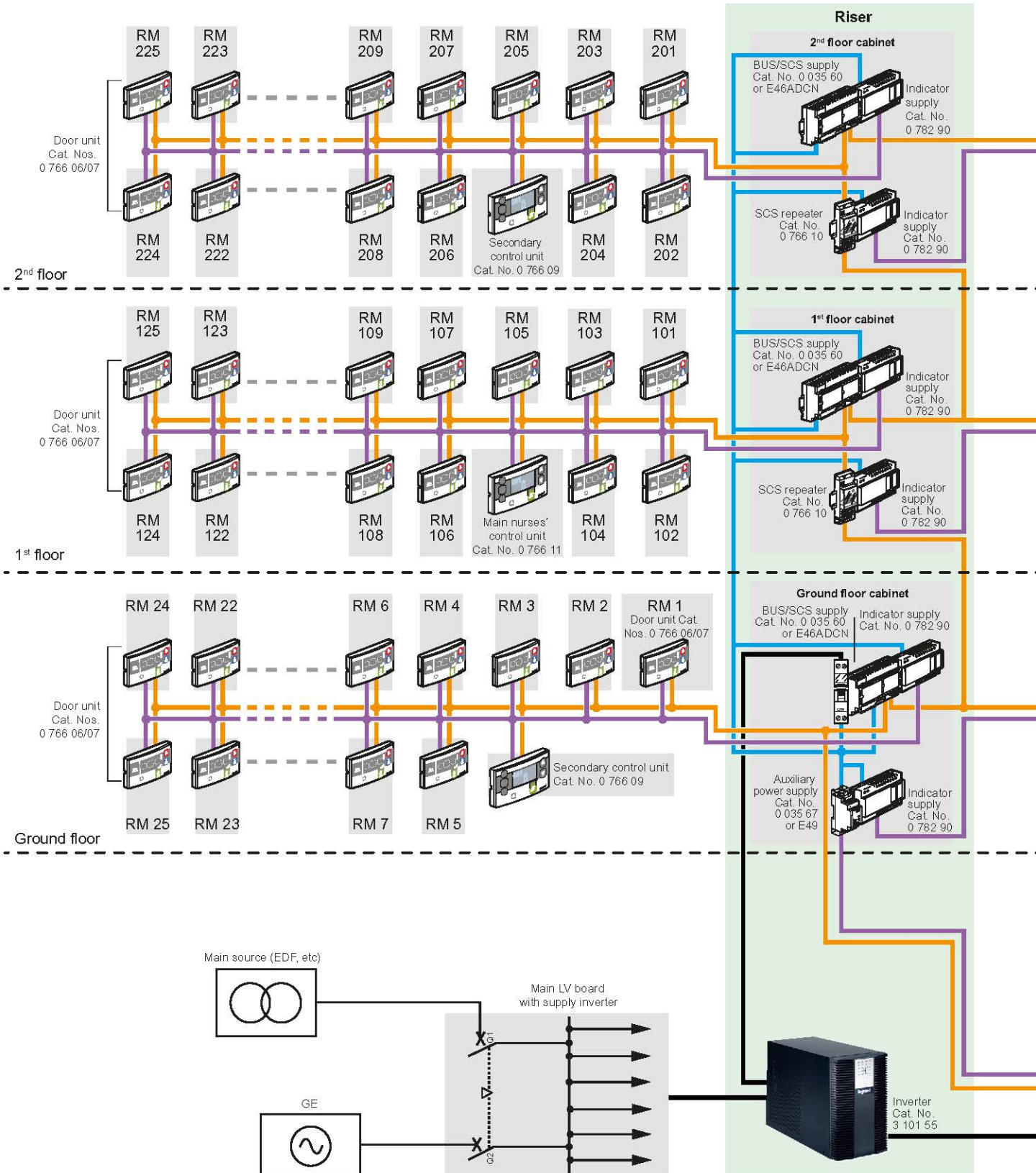


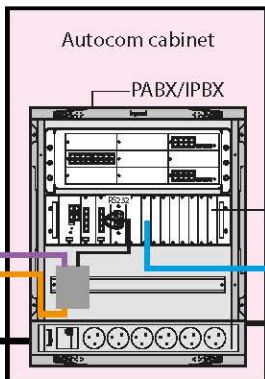
- BUS/SCS cable Cat. Nos. 0 492 33/73
- Indicator power supply cable 2 x 0.9 SYT or 2 x 1 mm²
- Number of rooms per ward in a building such as a hospital or clinic
- Number of rooms per ward in a building such as a nursing home
- Number of rooms per ward in a building such as a residential care home



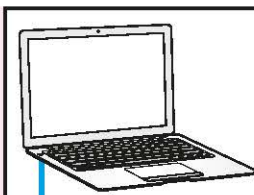
BUS/SCS installation principle (continued)

NURSING HOME + RESIDENTIAL CARE HOME
 1 ward with up to 150 rooms in the whole building





Telephone coupler with fixed IP address



Traceability on standard computer with icon configured as a static IP address.
 For use by:
 - Nurses
 - Maintenance
 - Management
 Configured by the network integrator.
 Option:
 - Display the call
 - White background following vandalism alarm
 Technical alarm contact feedback.

— Indicator power supply cable 2 x 0.9 SYT or 2 x 1 mm² or 1 pair AWG19 or AWG18

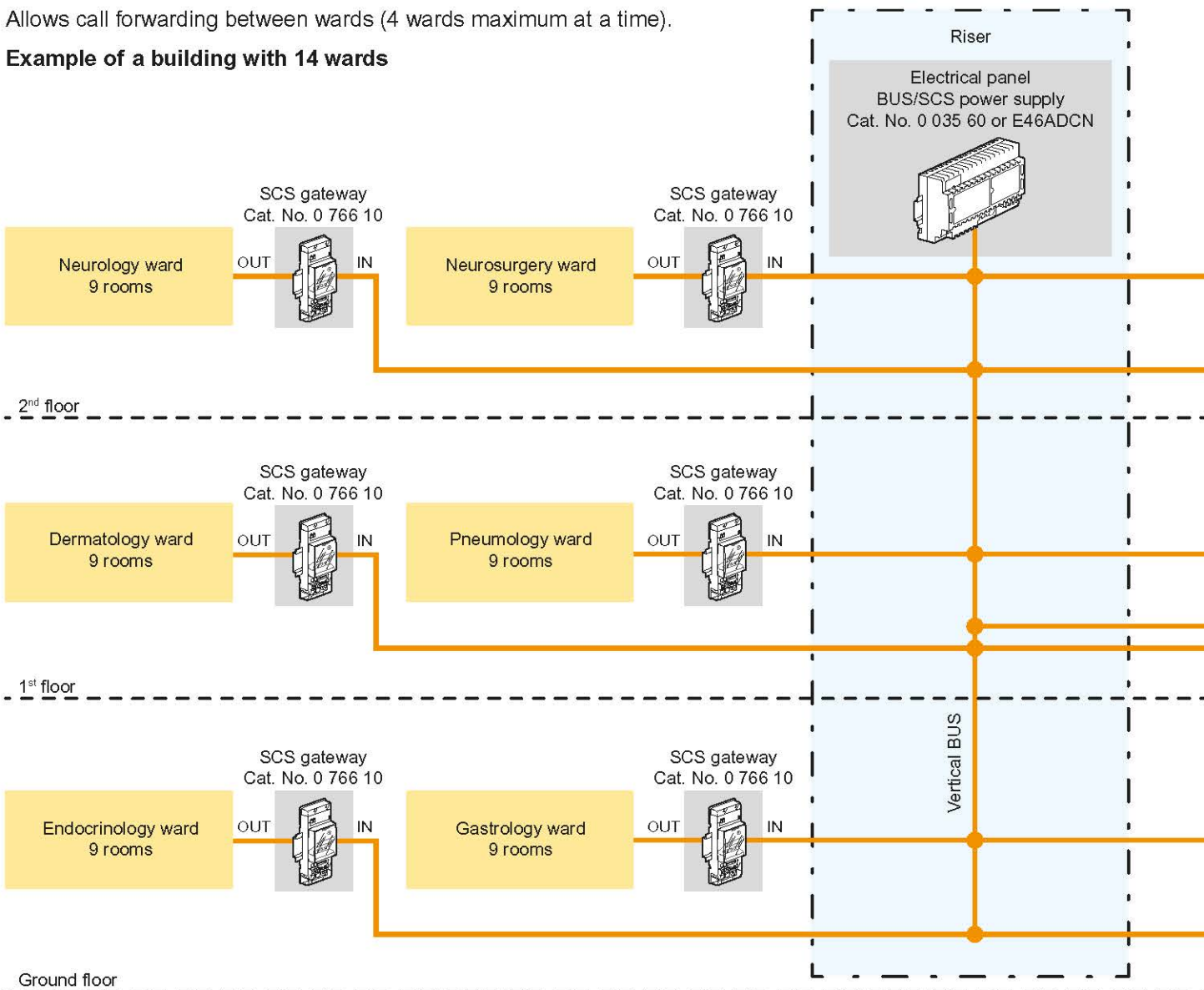
— Supplied with the product — BUS/SCS cable Cat. Nos. 0 492 72/75 — UTP/FTP cable Cat. 5e minimum

BUS/SCS installation principle (continued)

INSTALLATION PRINCIPLES FOR INTERCONNECTED WARDS (WITH CALL FORWARDING)

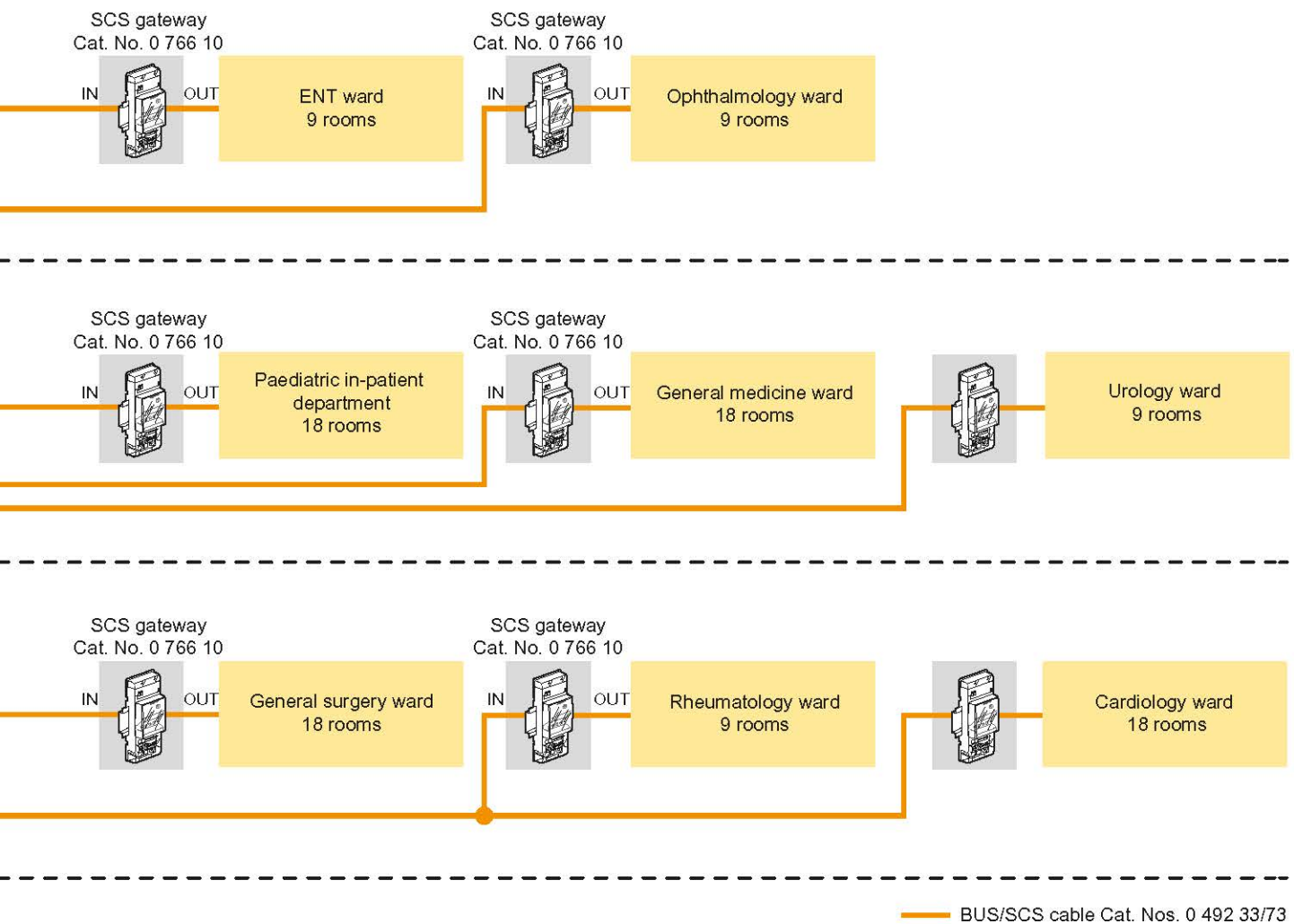
Allows call forwarding between wards (4 wards maximum at a time).

Example of a building with 14 wards



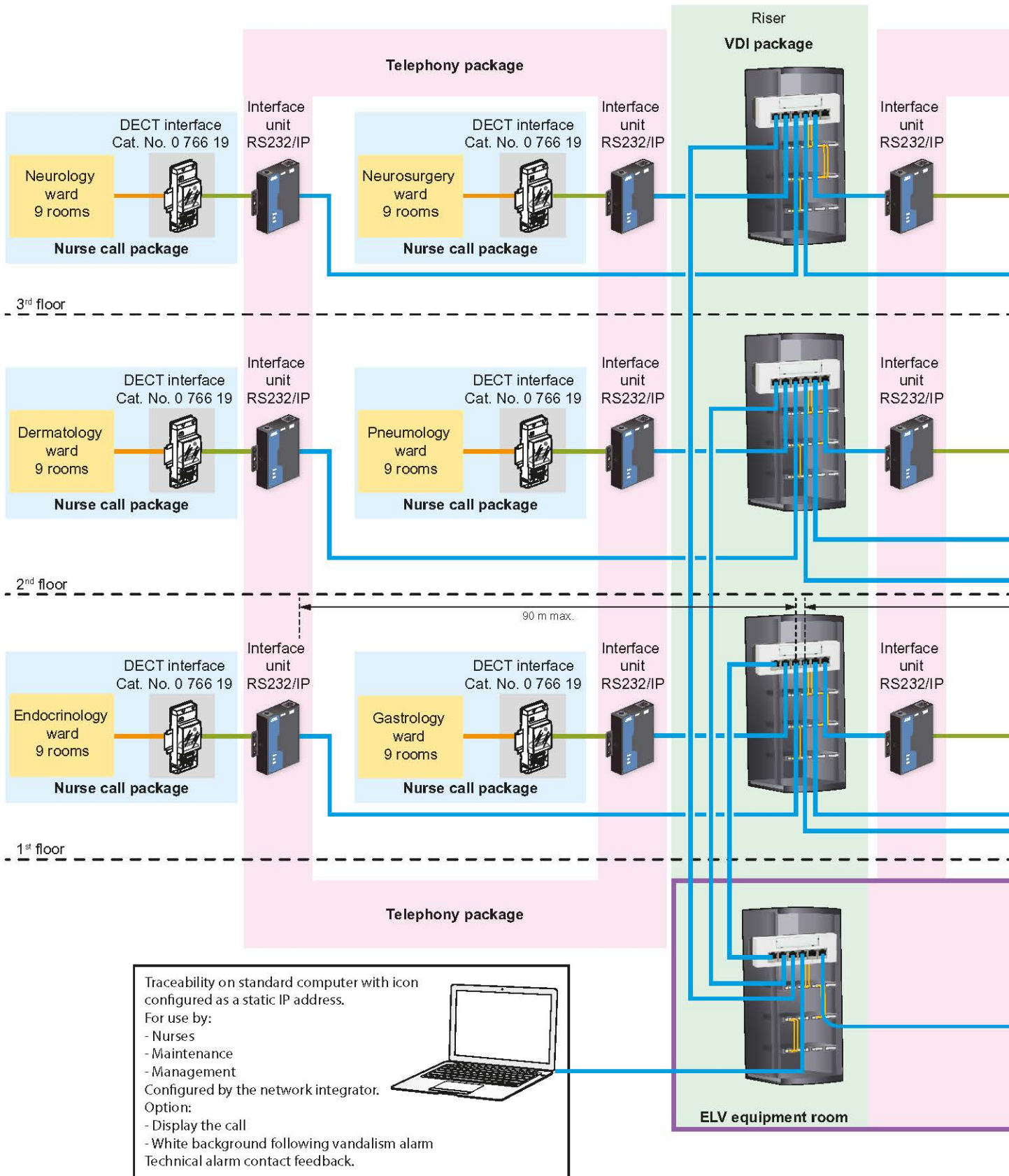
NB: The link between wards only works for forwarding calls between wards.

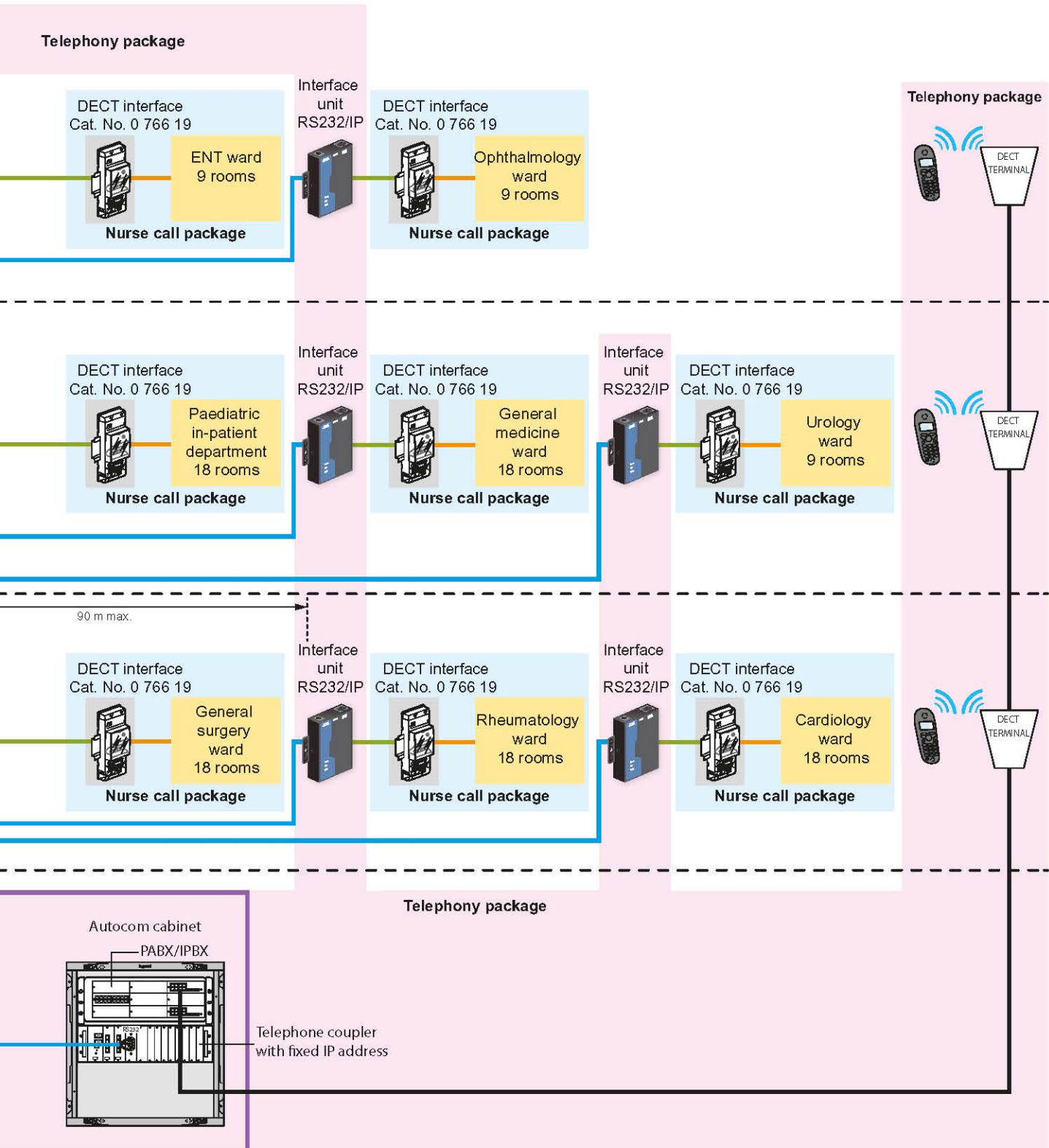
⚠ A maximum of 14 wards can be connected, with 4 calls max. forwarded. Each ward must be autonomous as regards power supplies.



BUS/SCS installation principle (continued)

INSTALLATION PRINCIPLES FOR INDEPENDENT WARDS WITH CENTRALISED TRACEABILITY AND CALL FORWARDING OVER DECT





— Supplied with the product — BUS/SCS cable Cat. Nos. 0 492 72/75 — UTP/FTP cable Cat. 5e minimum

BUS/SCS installation principle (continued)

 Star wiring recommended

EXAMPLE OF WIRING FOR MAXIMUM BUS/SCS LENGTHS

The main devices, the nurses' station control unit and the patient room door units must be connected to the 27 V \pm BUS/SCS and a 27 V indicator power supply.

The nurse call installation can be wired via a tap junction from any other device (door units, nurses' control units, etc). The examples of installation in this guide are typical configurations.

It is vital to calculate the power supply in order to determine the power supplies required for each installation.

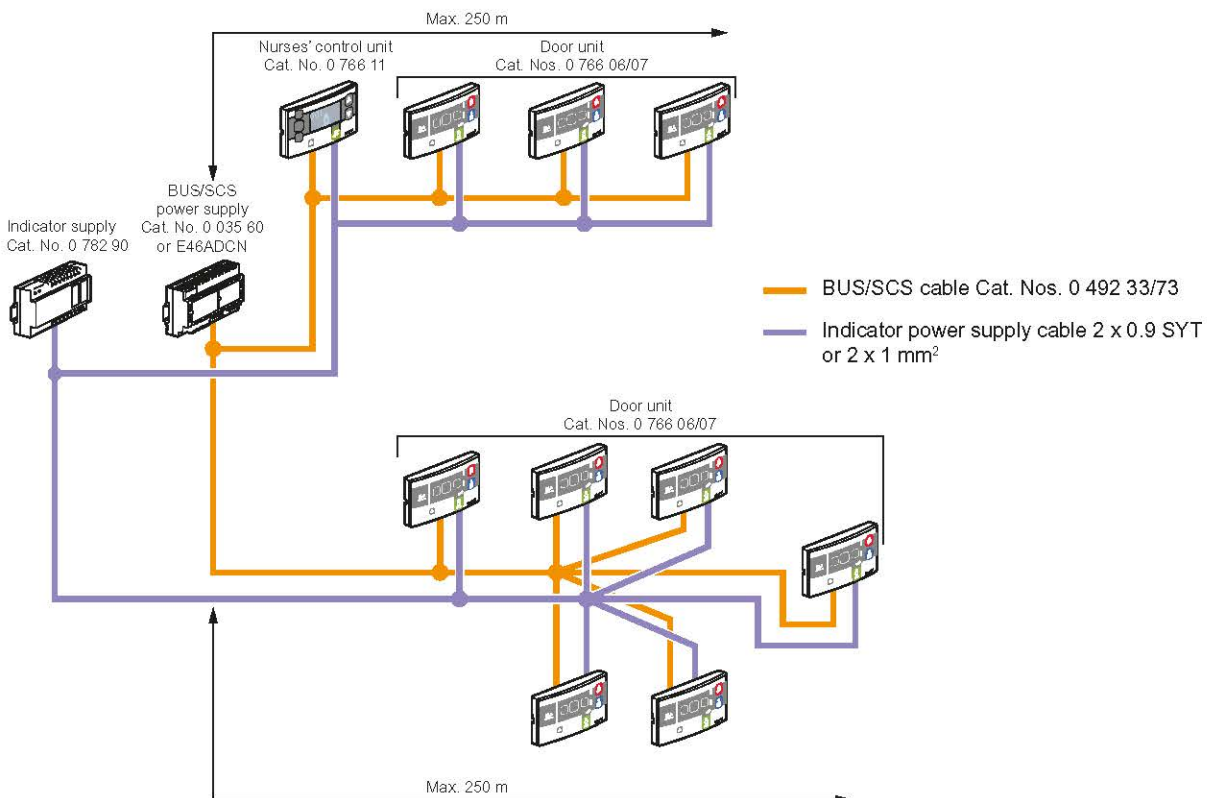
The number of devices that can be connected to the bus and the indicator power supply depends on the total power that they require.

Once the installation has been set up, it is also necessary to check that the installation is working properly and that the power supplies are sized correctly compared to the threshold case established during the study phase.

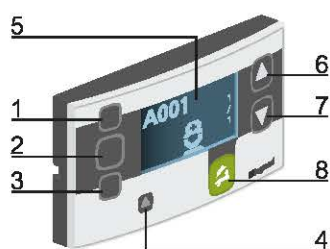
As well as power consumption requirements, the BUS wiring must also always comply with the following rules:

- The length of the link between the power supply and the furthest device must not exceed 250 metres.
- The total length of links within a ward must not exceed 500 metres for bus power supply Cat. No. 0 035 60 or E46ADCN.

If the distances or required bus power are exceeded, it is possible to extend the installation using bus extension Cat. No. 0 766 10.



Device presentation and installation



- 1 White LED bathroom indicator
- 2 Red LED alarm indicator
- 3 Green LED nurse presence indicator
- 4 Yellow LED installation error indicator
- 5 Display unit
- 6 and 7 Navigation buttons
- 8 Mute (silence) or confirmation button/device identification button for virtual parameter setting

MAIN NURSES' CONTROL UNIT CAT. NO. 0 766 11 AND SECONDARY CONTROL UNIT CAT. NO. 0 766 09

Main nurses' control unit Cat. No. 0 766 11

The main nurses' control unit allows monitoring and control of rooms belonging to the same ward. All information can be displayed on the LCD screen, enabling complete data management. In installations which use interphones, it is also necessary to install an interphone unit Cat. No. 0 766 08. For installation in the nurses' station. Install a maximum of one main nurses' control unit per ward. If more are needed, install secondary control units.

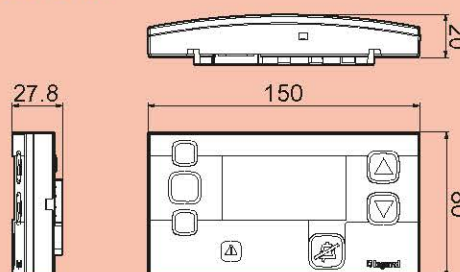
Secondary control unit Cat. No. 0 766 09

The secondary control unit allows information to be relayed from the main nurses' control unit. For installation in a specific room (rest area, dining room, etc). In installations which use interphones, it is also necessary to install an interphone unit Cat. No. 0 766 08.

Technical characteristics

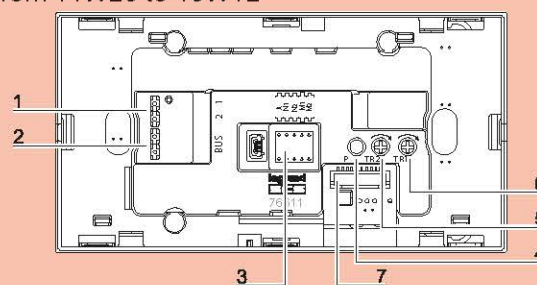
- Power supply: 27 V_{DC}
- Indicator power supply consumption:
 - in standby mode: 19 mA
 - max: 66 mA
- BUS power supply consumption: 3 mA
Consumption in degraded mode: 29 mA on BUS power supply
- Operating temperature: 5 to 40°C
- Storage temperature: -20 to 70°C
- Antimicrobial
- Protection index: IP 42
- Dimensions (H x W x D): 80 x 150 x 20 mm
- Installation (supplied with mounting support):
 - in 2-gang horizontal flush-mounting box (4 modules)
 - on wall with surface-mounting box Cat. No. 0 766 14
 - on nurses' control unit Cat. No. 0 766 12 or Cat. No. 0 766 13 (inclined plane) for fixing on table
- Sound level: max: 60 dBA at 2 m
min: 40 dBA at 2 m

Dimensions

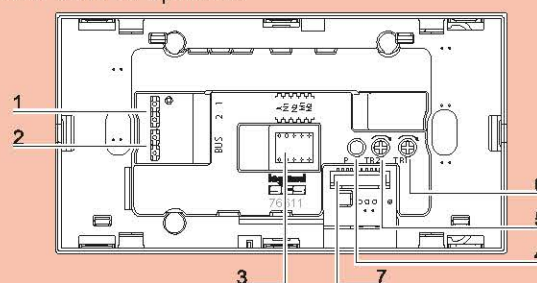


Connection

- From 11W23 to 15W12



- From 15W13 upwards



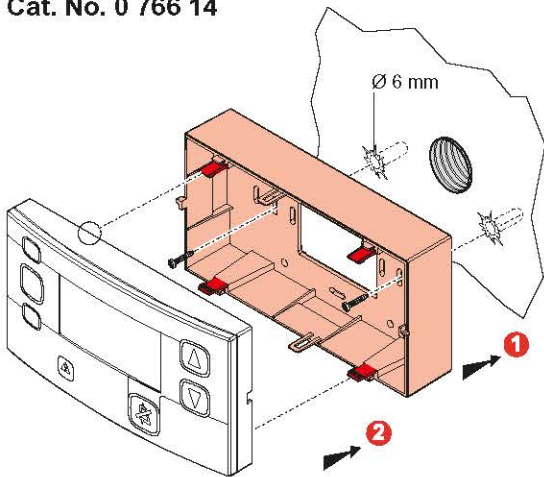
Modification of ward call-forwarding mode

- 1 27 V_{DC} indicator power supply terminals 1-2
- 2 BUS terminals
- 3 Space for configurators
- 4 Factory reset button (press for 10 s)
- 5 Control button brightness adjustment
- 6 Buzzer volume adjustment
- 7 Connector for interphone unit

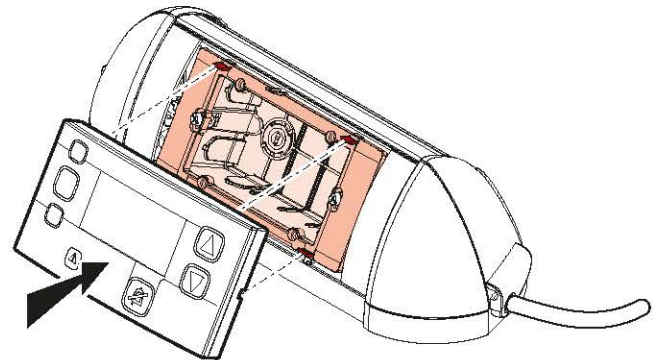
Device presentation and installation (continued)

MAIN NURSES' CONTROL UNIT CAT. NO. 0 766 11 AND SECONDARY CONTROL UNIT CAT. NO. 0 766 09 (CONTINUED)

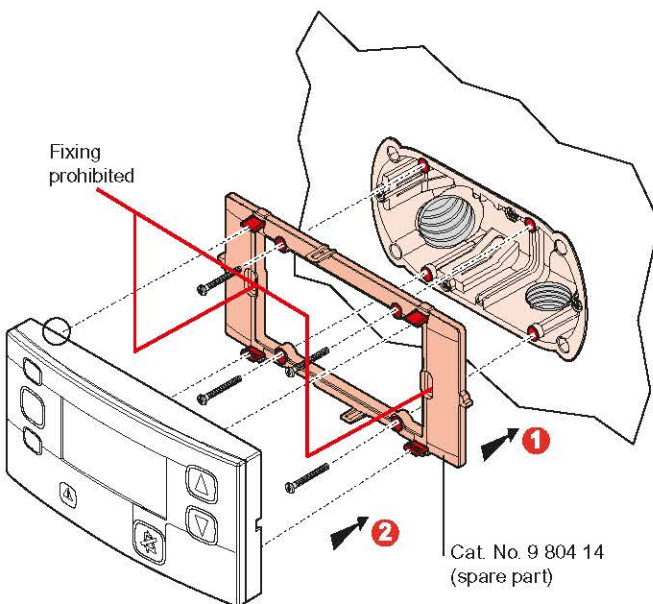
Surface-mounted wall installation with box
Cat. No. 0 766 14



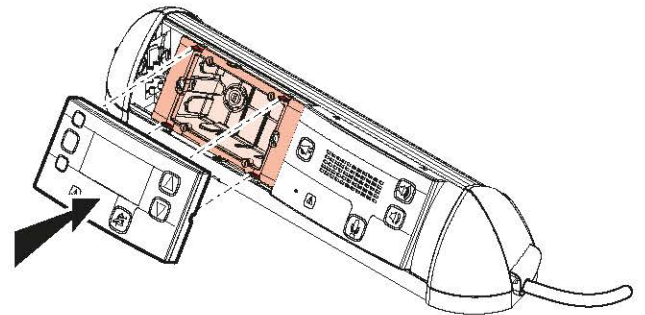
Installation on an inclined plane Cat. No. 0 766 12

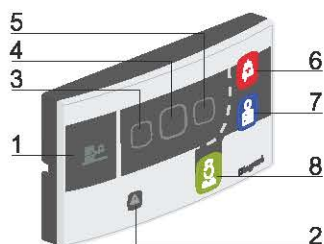


Flush-mounted wall installation in flush-mounting
box, depth 50 mm



Installation on an inclined plane Cat. No. 0 766 13
with interphone unit Cat. No. 0 766 08





- 1 Red LED indicator for calls from another room
- 2 Yellow LED installation error indicator
- 3 White LED bathroom indicator
- 4 Red LED alarm indicator
- 5 Green LED nurse presence indicator
- 6 Call button/indicator
- 7 Doctor request button/indicator
- 8 Nurse presence and acknowledgement button/indicator and product identification button for virtual parameter setting

DOOR UNIT WITH INDICATORS CAT. NO. 0 766 06

The door unit allows local control and display of calls, with visual and audible signalling.

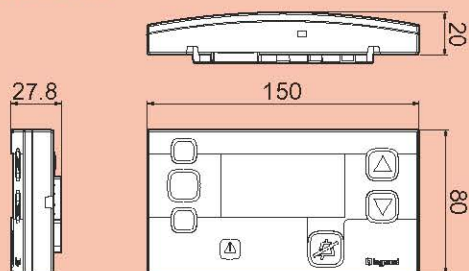
Once a nurse is present, it is used to signal calls from another room.

The nurse present button can be remotely located on an external push-button, a coded keypad or card reader.

Technical characteristics

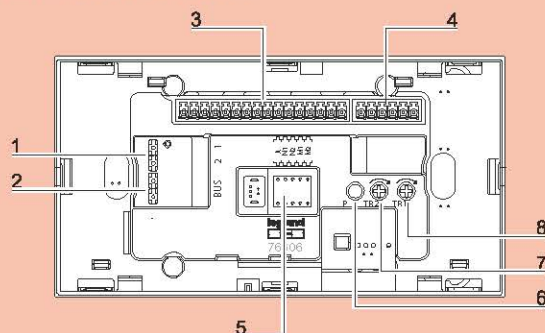
- Power supply: 27 V_{DC}
- Indicator power supply consumption:
 - in standby mode: 38.5 mA
 - max: 198 mA
- BUS power supply consumption: 2.2 mA
Consumption in degraded mode: 68 mA on BUS power supply
- Operating temperature: 5 to 40°C
- Storage temperature: -20 to 70°C
- Antimicrobial
- Protection index: IP 42
- Dimensions (H x W x D): 80 x 150 x 20 mm
- Installation (supplied with mounting support):
 - in horizontal 2-gang flush-mounting box (4 modules)
 - on wall with surface-mounting box Cat. No. 0 766 14
- Sound level: max: 60 dBA at 2 m
min: 40 dBA at 2 m

Dimensions

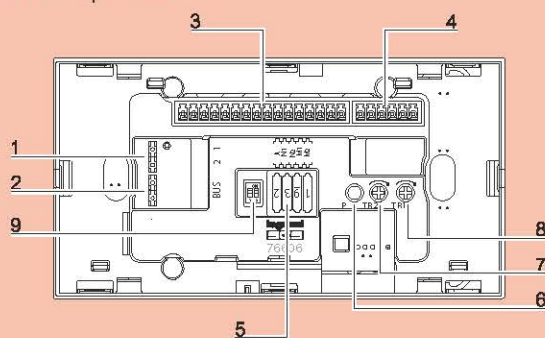


Connection

- From 11W23 to 15W22



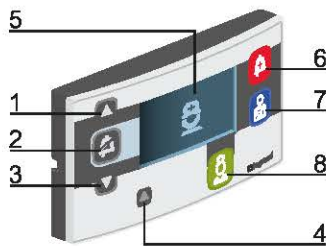
- 15W23 upwards



- 1 27 V_{DC} indicator power supply terminals 1-2
- 2 BUS terminals
- 3 Terminal block numbered 1 to 16
- 4 Terminal block numbered 17 to 22
- 5 Space for configurators
- 6 Factory reset button (press for 10 s)
- 7 Control button brightness adjustment
- 8 Buzzer volume adjustment
- 9 Microswitch for configuring the external acknowledgement button

Flush-mounted or surface-mounted wall installation (see main nurses' control unit Cat. No. 0 766 11)

Device presentation and installation (continued)



- 1 Navigation button
- 2 Mute button (silence)
- 3 Navigation button
- 4 Yellow LED installation error indicator
- 5 Display unit
- 6 Call button/indicator
- 7 Doctor request button/indicator
- 8 Nurse presence and acknowledgement button/indicator and product identification button for virtual parameter setting

DOOR UNIT WITH DISPLAY UNIT CAT. NO. 0 766 07

The door unit allows local control and display of calls, with visual and audio signalling, on a digital graphic screen.

Once a nurse is present, this unit becomes a nurses' control unit (it displays the same information and allows remote muting).

Used in conjunction with the interphone unit Cat. No. 0 766 08 to communicate with rooms making calls with a nurse present.

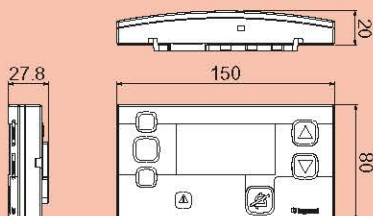
Hang-up function at the end of a call.

The nurse present button can be remotely located on an external push-button, a coded keypad or card reader.

Technical characteristics

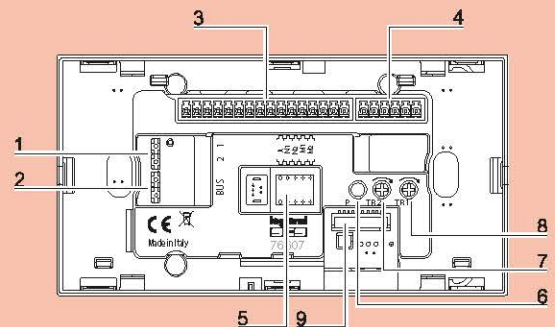
- Power supply: 27 V_{DC}
- Indicator power supply consumption:
 - in standby mode: 38.5 mA
 - max: 233 mA
- BUS power supply consumption: 3 mA
Consumption in degraded mode: 53 mA on BUS power supply
- Operating temperature: 5 to 40°C
- Storage temperature: -20 to 70°C
- Antimicrobial
- Protection index: IP 42
- Dimensions (H x W x D): 80 x 150 x 20 mm
- Installation (supplied with mounting support):
 - in horizontal 2-gang flush-mounting box
 - on wall with surface-mounting box Cat. No. 0 766 14
- Sound level: max: 60 dBA at 2 m
min: 40 dBA at 2 m

Dimensions

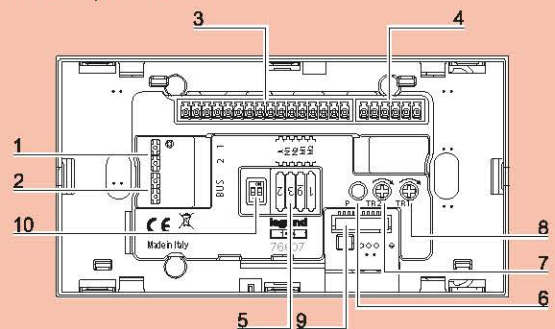


Connection

- From 11W23 to 15W22



- 15W23 upwards





- 1 27 V_{DC} indicator power supply terminals 1-2
- 2 BUS terminals
- 3 Terminal block numbered 1 to 16
- 4 Terminal block numbered 17 to 22
- 5 Space for configurators
- 6 Factory reset button (press for 10 s)
- 7 Control button brightness adjustment
- 8 Buzzer volume adjustment
- 9 Connector for interphone unit
- 10 Microswitch for configuring the external acknowledgement button

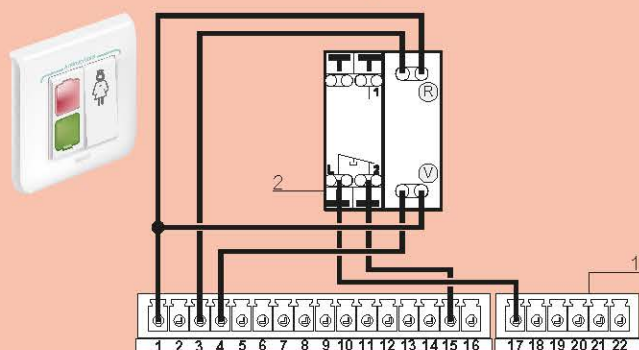
Flush-mounted or surface-mounted wall installation
(see main nurses' control unit Cat. No. 0 766 11)

Installation with interphone unit (see interphone unit Cat. No. 0 766 08)

Configuration of acknowledgement button for door units Cat. Nos. 0 766 06/07

Microswitch		Configuration of acknowledgement button
1	2	
ON	ON	Green button  only (factory configuration)
OFF	ON	Green button  and external push-button (NC) (Cat. No. 0 782 04L)
ON	OFF	No button (do not use: no active button)
OFF	OFF	External push-button (NC) only (Cat. No. 0 782 04L)

Connection of external push-button and configuration

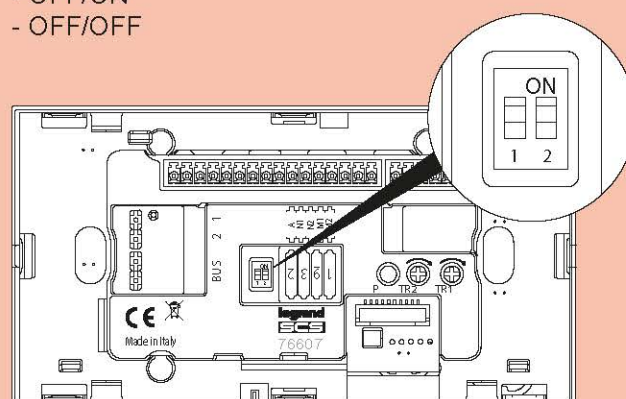


1 Door unit terminal block: 0 766 06/07
 2 External push-button terminal block: 0 782 04L

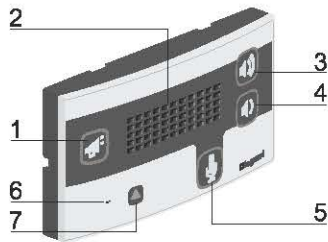
Possible configurations of acknowledgement button

Microswitches in position:

- OFF/ON
- OFF/OFF



Device presentation and installation (continued)



- 1 Communication button
- 2 Loudspeaker
- 3 - 4 Volume adjustment controls (maximum and minimum)
- 5 Hands-free button
- 6 Microphone
- 7 Yellow LED installation error indicator

INTERPHONE UNIT CAT. NO. 0 766 08

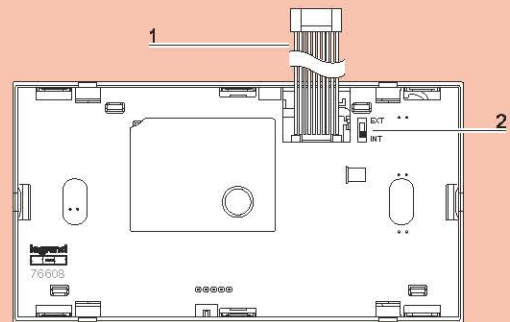
The interphone unit is used in conjunction with the main nurses' control unit (Cat. No. 0 766 11), with the secondary control unit (Cat. No. 0 766 09) and the door unit (Cat. No. 0 766 07), and allows two-way voice communication.

When a call is made, the nurse can speak to the patient and hang up the call if necessary.

It must be used with a patient room microphone (Cat. No. 0 782 00L) if the patient is more than 2 m away from the door unit.

If the interphone unit is used with a patient room microphone, the activation/deactivation switch must be in the external position.

Connection

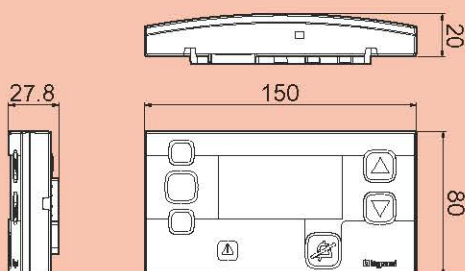


- 1 Ribbon cable for connection to door unit Cat. No. 0 766 07 or main nurses' control unit Cat. Nos. 0 766 11/09
- 2 External microphone Cat. No. 0 782 00L activation/deactivation switch (factory setting: microphone in indoor mode)

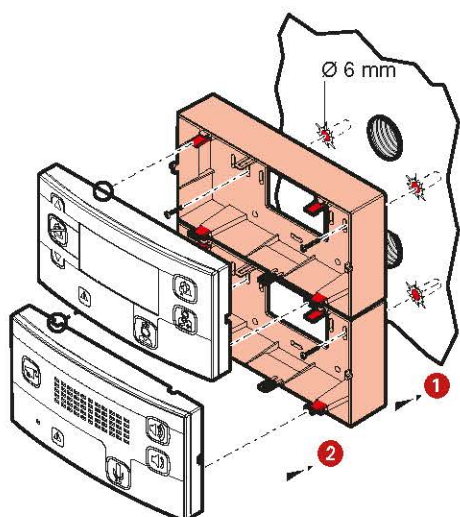
Technical characteristics

- Power supply: via door units Cat. No. 0 766 07 or nurses' control unit Cat. No. 0 766 11
- Normal consumption: 42 mA on indicator power supply Consumption in degraded mode: 10 mA on bus power supply
- Operating temperature: 5 to 40°C
- Storage temperature: -20 to 70°C
- Antimicrobial
- Protection index: IP 42
- Dimensions (H x W x D): 80 x 150 x 20 mm
- Installation (supplied with mounting support):
 - directly on the wall or with surface-mounting box Cat. No. 0 766 14

Dimensions

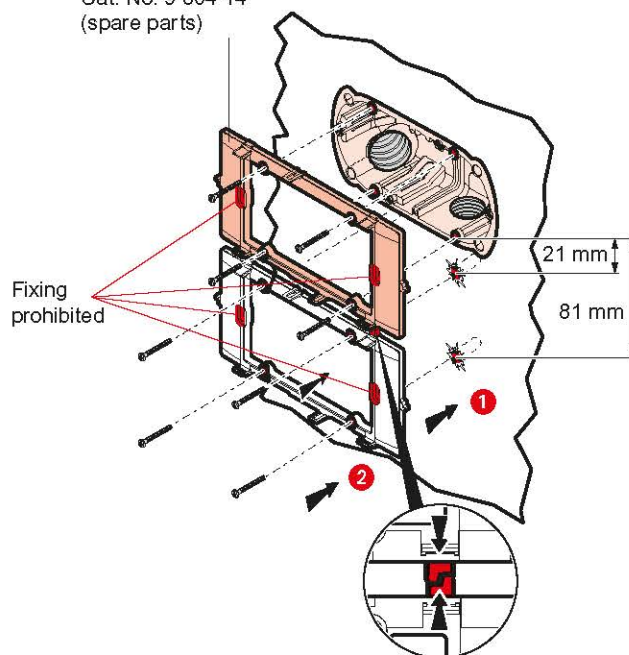


Surface-mounted wall installation with door unit
 Cat. No. 0 766 07 and 2 boxes Cat. No. 0 766 14

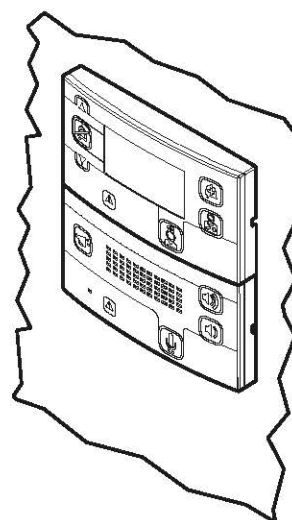
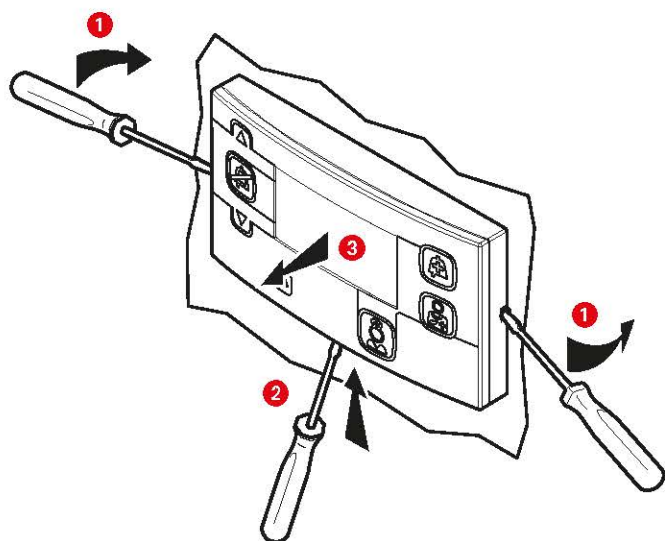


Flush-mounted wall installation with door unit
 Cat. No. 0 766 07 and flush-mounting box

Cat. No. 9 804 14
 (spare parts)



Removing the door unit



Device presentation and installation (continued)



PATIENT ROOM MICROPHONE CAT. NO. 0 782 00L

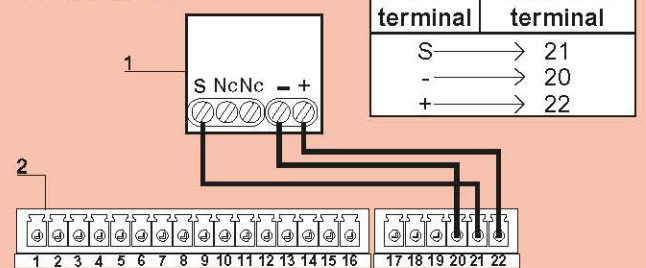
The microphone is used in conjunction with the interphone unit (Cat. No. 0 766 08) to improve sound quality.

This device must be installed close to the bedhead.

Technical characteristics

- Power supply: via door units Cat. No. 0 766 07
- Operating temperature: 5 to 40°C
- Storage temperature: -20 to 70°C
- Protection index: IP 20
- Overall dimensions (H x W): 82 x 82 mm
- Installation (supplied with mounting support):
 - in 1-gang flush-mounting box
 - on wall with surface-mounting box Cat. No. 0 802 81
 - in a strip using special holder supplied
- 1 microphone max. per door unit

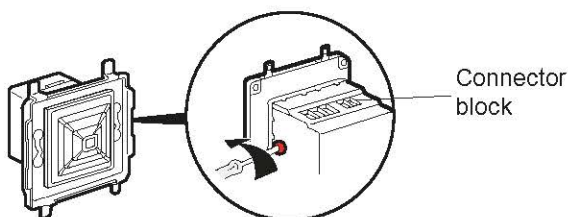
Connection



1 Microphone terminal block: 0 782 00L

2 Door unit terminal block: 0 766 07

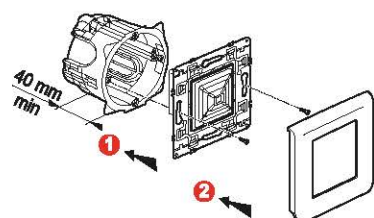
Microphone sensitivity setting



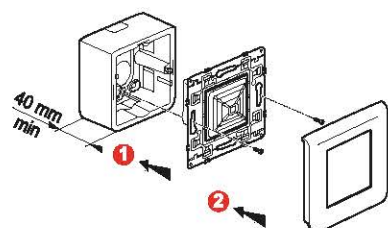
Very low gain factory setting. Microphone gain/ amplification can be adjusted.

Tip: set to 3/4 of possible travel.

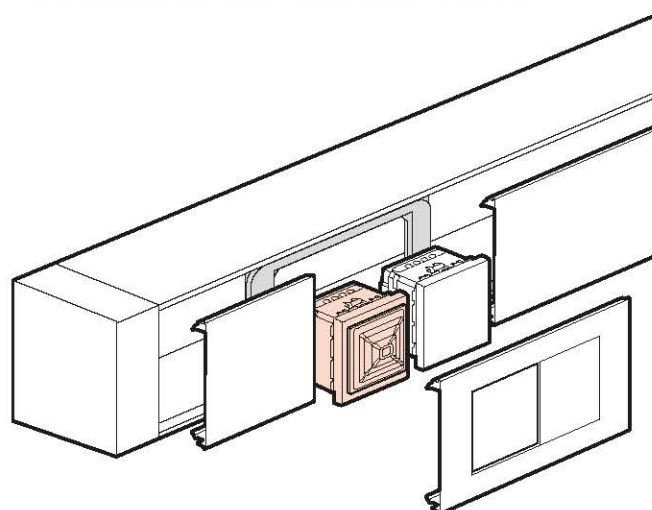
Flush-mounted wall installation in 1-gang screw flush-mounting box



**Surface-mounted wall installation with box
Cat. No. 0 802 81**



Installation in a strip using special holder



Device presentation and installation (continued)

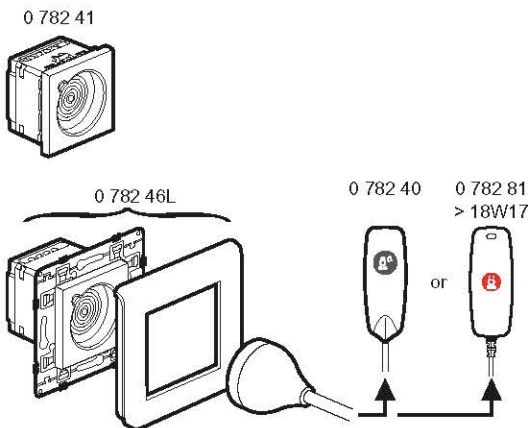


SOCKETS CAT. NOS. 0 782 41/46L FOR HAND-HELD REMOTE CONTROL UNITS

Sockets Cat. No. 0 782 41 for mounting in a strip and 0 782 46L for call-only hand-held remote control unit (push-button cord)

Magnetic connection between hand-held unit and socket: can be ejected in any direction with pull-out torque designed to avoid any damage to the equipment.
Antimicrobial.

Non-indexed magnetic connection socket for hand-held remote control unit Cat. No. 0 782 40 (from 11W45 to 18W16) or 0 782 81 (from 18W17 upwards).

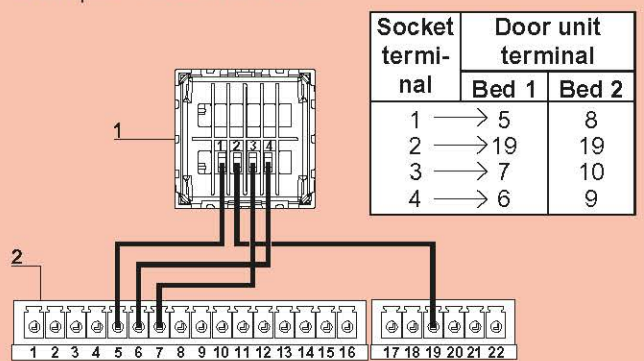


Technical characteristics

- Power supply: via the door unit
- Operating temperature: 5 to 40°C
- Storage temperature: -20 to 70°C
- Antimicrobial
- Protection index: IP 42
- Dimensions:
 - Cat. No. 0 782 41: 45 x 45 x 36 mm
 - Cat. No. 0 782 46L: 82 x 82 x 36 mm
- Installation:
 - in 1-gang flush-mounting box (2 modules)
 - on wall with surface-mounting box Cat. No. 0 802 81
 - in a strip using special holder supplied

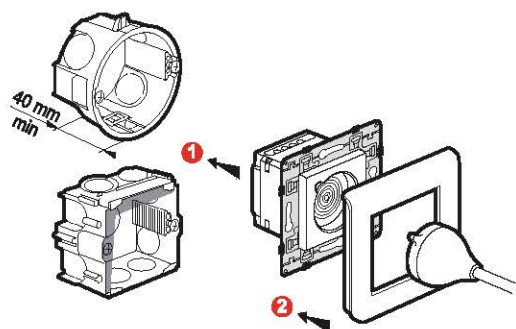
Connection

Example: 1 bed in a room.

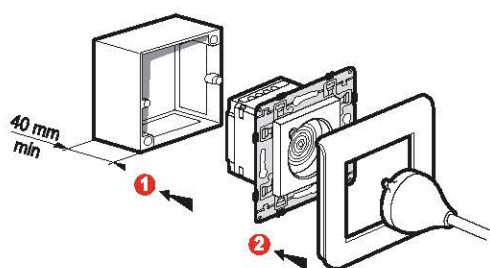


- 1 Socket terminal block: 0 782 41/46L
2 Door unit terminal block: 0 766 06/07

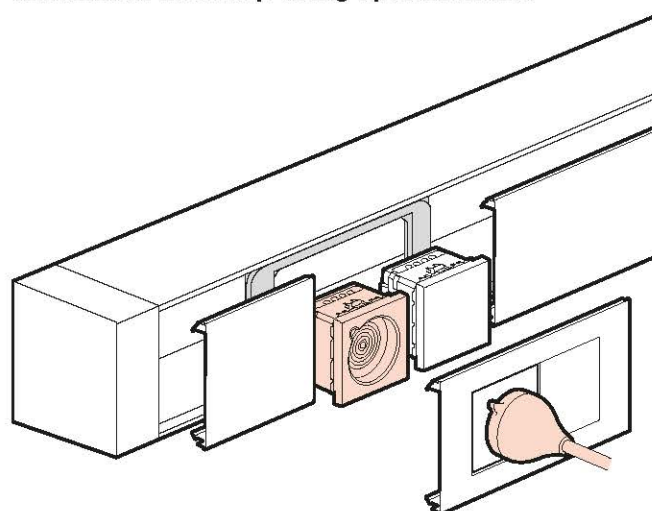
Flush-mounted wall installation with 1-gang flush-mounting box



**Surface-mounted wall installation with box
Cat. No. 0 802 81**



Installation in a strip using special holder



Device presentation and installation (continued)



SOCKETS CAT. NOS. 0 782 45/47L FOR HAND-HELD REMOTE CONTROL UNITS

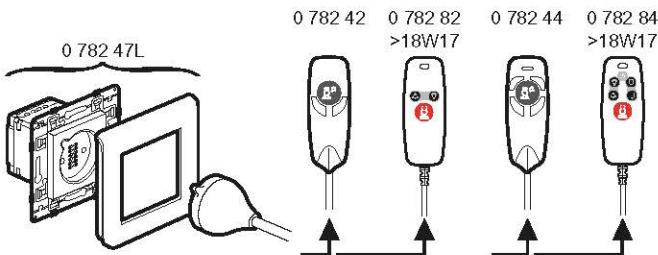
Sockets Cat. Nos. 0 782 45 and 0 782 47L for hand-held remote control units for calls and controls

Magnetic connection between hand-held unit and socket: can be ejected in any direction with pull-out torque designed to avoid any damage to the equipment.

Antimicrobial.

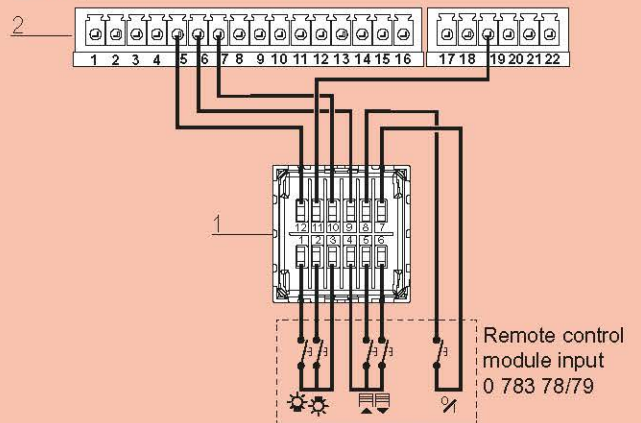
Indexed magnetic connection socket for hand-held remote control unit Cat. Nos. 0 782 42/44 (11W45 to 18W16) and 0 782 82/84 (18W17 upwards).

0 782 45



Connection

Example: 1 bed in a room.



Socket terminal	Door unit terminal	
	Bed 1	Bed 2
12	→ 5	8
11	→ 19	19
10	→ 7	10
9	→ 6	9

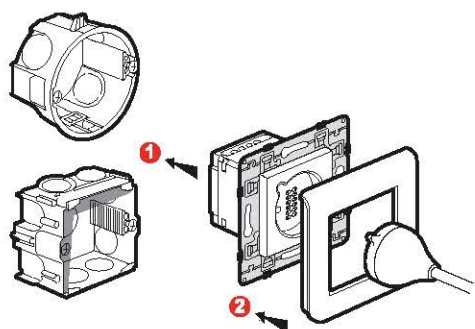
1 Socket terminal block: 0 782 45/47L

2 Door unit terminal block: 0 766 06/07

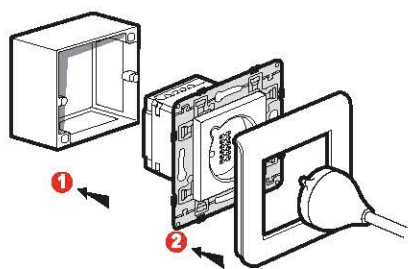
Technical characteristics

- Power supply:
 - via the door unit for nurse calls
 - via remote control module Cat. No. 0 783 77 or 0 783 78 or 783 79 for lighting and roller blinds
- Operating temperature: 5 to 40°C
- Storage temperature: -20 to 70°C
- Antimicrobial
- Protection index: IP 42
- Dimensions:
 - Cat. No. 0 782 45: 45 x 45 x 36 mm
 - Cat. No. 0 782 47L: 82 x 82 x 36 mm
- Installation:
 - in 1-gang flush-mounting box (2 modules)
 - on wall with surface-mounting box Cat. No. 0 802 81

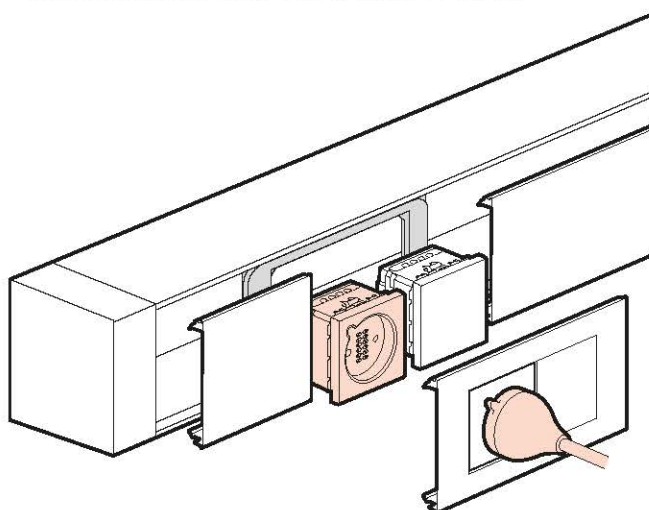
Flush-mounted wall installation with 1-gang flush-mounting box



**Surface-mounted wall installation with box
Cat. No. 0 802 81**



Installation in a strip using special holder



Device presentation and installation (continued)



REMOTE CONTROL MODULES CAT. NOS. 0 783 77/78/79

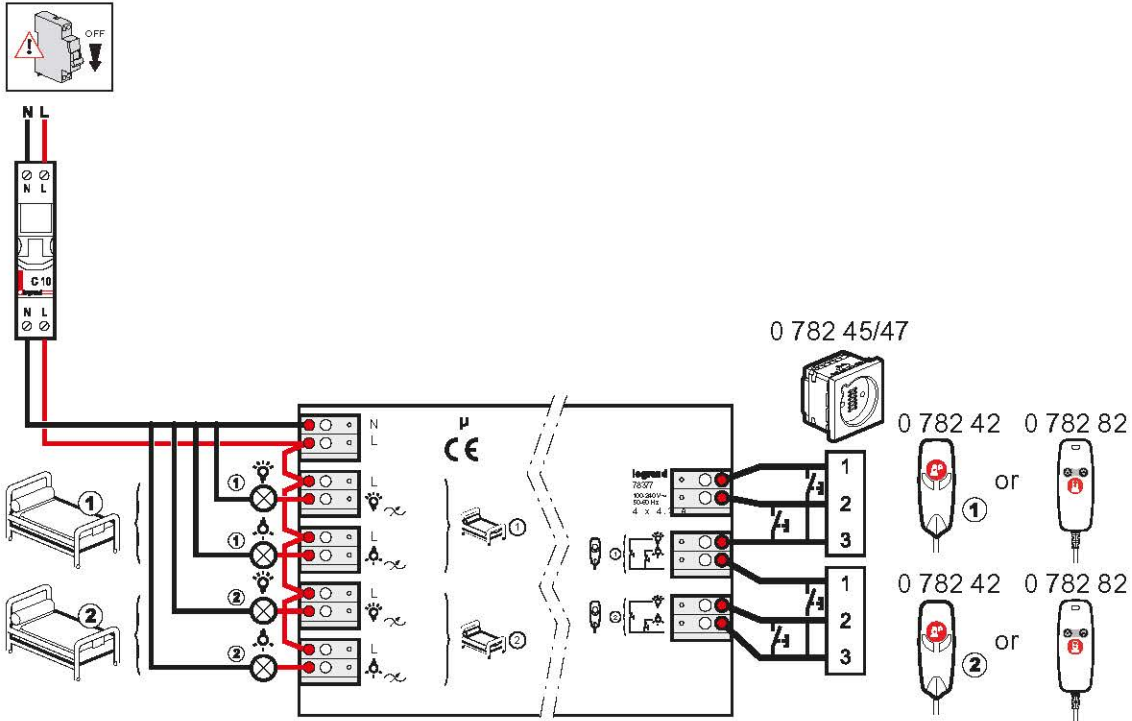
These units are used to control lighting or other SELV functions via hand-held remote control units.
To be fitted in bedhead strips or ceiling-mounted.

Technical characteristics

- Power supply: 100 - 240 V
- Operating temperature: 0 to 35°C
- Storage temperature: -20 to 70°C
- Dimensions: 230 x 71 x 44 mm
- Installation: in bedhead strip or ceiling-mounted

Remote control module for bedhead strips for controlling 4 lighting outputs Cat. No. 0 783 77

Compatible with hand-held remote control unit Cat. No. 0 782 42 or 0 782 82 (18W17 upwards).



+ 35°C 0°C												
230 V~ 110 V~	500 W 250 W	2 A	1000 W 500 W	4.3 A	500VA 250VA	2 A	500 VA 250 VA	2 A	500VA 250VA	2 A	500 VA 250 VA	2 A

Device presentation and installation (continued)



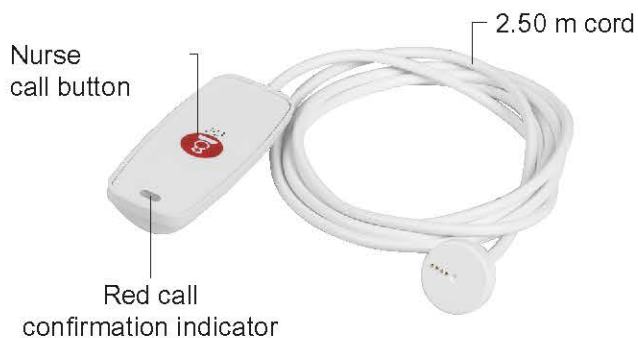
HAND-HELD REMOTE CONTROL UNITS (18W17 UPWARDS)

Allow patients to call a nurse (using an NC push-button) via the door unit.

Magnetic connection between hand-held remote control units and sockets:
can be ejected in all directions with pull out torque designed to avoid any damage to the equipment.
Recommended cleaning: use wipes impregnated with detergent for food contact surfaces (Dettol, etc).

Hand-held remote control unit for call only (call push-button cord) Cat. No. 0 782 81 (18W17 upwards)

For use with socket Cat. No. 0 782 41 or 0 782 46L.



Hand-held remote control unit for calls and controls Cat. No. 0 782 82

For use with socket Cat. No. 0 782 45 or 0 782 47L.



Technical characteristics

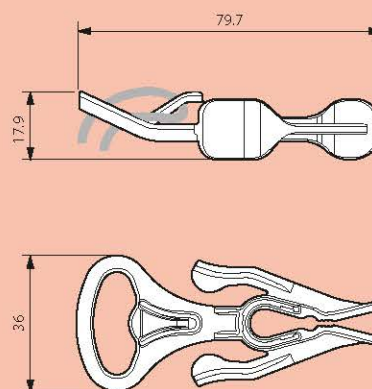
- Power supply: via sockets for hand-held remote control units
- Operating temperature: 5 to 40°C
- Storage temperature: -20 to 70°C
- Antimicrobial
- Protection index: IP 67 (without plug)
- Cord length: 2.5 m
- Can be fixed or held in place with clamp
Cat. No. 0 782 43
- Backlight consumption: 2 mA



CLAMP CAT. NO. 0 782 43

For holding the hand-held remote control unit within reach: on bedding, clothes or the arm of a chair.

Dimensions



Hand-held remote control unit for calls and controls Cat. No. 0 782 84

For use with socket Cat. No. 0 782 45 or 0 782 47L.

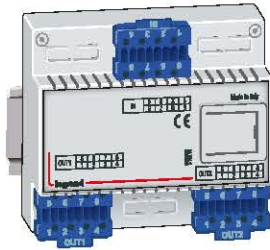


- 1 LED backlit nurse call button
- 2 Reading light control (NO push-button)
- 3 Room lighting control (NO push-button)
- 4 Red call confirmation indicator
- 5 and 6 Roller blind control (NO push-button)
- 7 Free function button (NO push-button)

Technical characteristics

- Power supply: via sockets for hand-held remote control units
- Operating temperature: 5 to 40°C
- Storage temperature: -20 to 70°C
- Antimicrobial
- Protection index: IP 67 (without plug)
- Backlight consumption: 2 mA
- Cord length: 2.5 m
- Can be fixed or held in place with clamp Cat. No. 0 782 43

Device presentation and installation (continued)



BED EXTENSION CAT. NO. 0 782 19 FOR DOOR UNITS CAT. NOS. 0 766 06/07

Connected to the hand-held remote control units and to the door unit, this extension can manage up to 4 beds per room and identify them as 1 to 4 on the various displays (door units, nurses' control units, corridor display units and DECT).

Configuration is only possible on the door unit using the Nurse Call Configurator software Cat. No. 0 766 15 (physical configuration not possible).

Technical characteristics

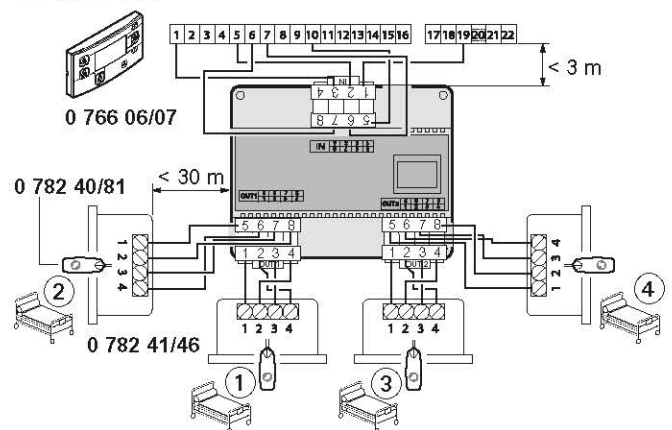
- Power supply: door unit
- Consumption: 1.8 W max.
- Operating temperature: -5 to + 40°C
- Storage temperature: -20 to 70°C
- Dimensions: 6 DIN modules

# = Call source	
Door unit	
Bed 1	1
Bed 2	2
Bed 3	3
Bed 4	4
WC/Bathrooms	W

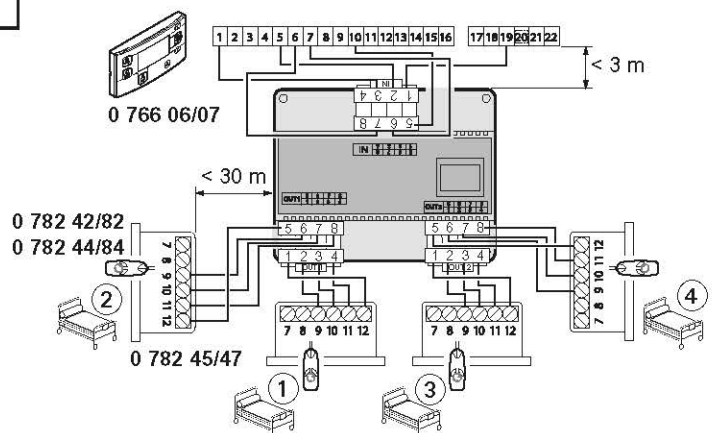
Example of a call:
A001-3! : call from ward A, room 1, bed 3.

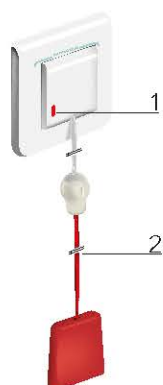
Connection

Installation with hand-held remote control units for call only



Installation with hand-held remote control units for calls and controls





Can be positioned in zone 1 of the bathroom and recommended at a height of 2.3 m

- 1 Red call confirmation indicator
- 2 NC call button
Ejectable red anti-microbial cord



Spare part Cat. No. 9 804 12

EJECTABLE CALL PULL-CORD FOR BATHROOMS CAT. NO. 0 782 48L

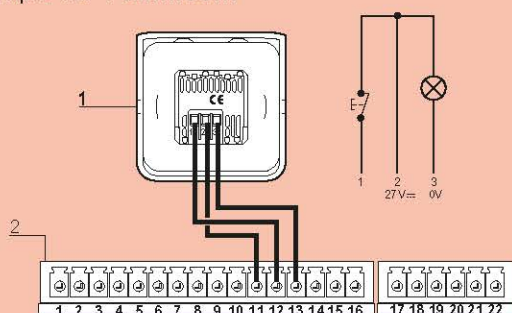
Allows calls to a nurse from the bathrooms.

Technical characteristics

- Power supply: via door unit Cat. No. 0 766 06 or 0 766 07
- Operating temperature: 5 to 40°C
- Storage temperature: -20 to 70°C
- Antimicrobial
- Protection index: IP 55 (flush-mounting only)
- Dimensions (H x W x D): 82 x 82 x 43 mm
- Installation: in 1-gang flush-mounting box

Connection

Example for 1 bathroom

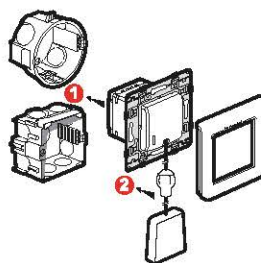


Pull-cord terminal	Door unit terminal
1	→ 12
2	→ 11
3	→ 13

1 Bathroom pull-cord terminal block: 0 782 48L

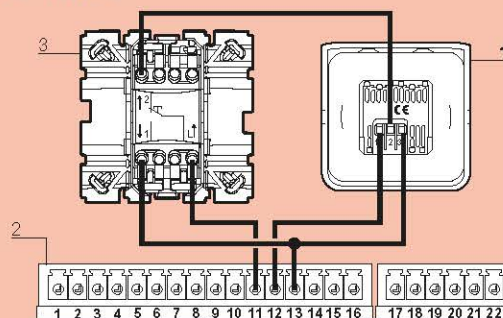
2 Door unit terminal block: 0 766 06/07

Flush-mounted wall installation with 1-gang flush-mounting box

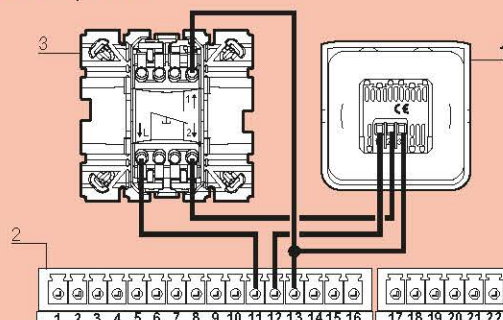


Connection

- Up to 15W48



- 15W48 upwards



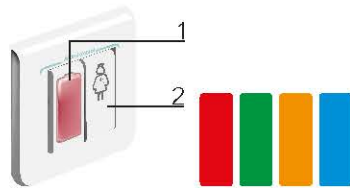
1 Bathroom pull-cord terminal block: 0 782 48L

2 Door unit terminal block: 0 766 06/07

3 Soliroc call button terminal block: 0 782 51

NB: Wire up the call button terminal block Cat. No. 0 782 51 before the bathroom pull-cord terminal block Cat. No. 0 782 48L. If the order is reversed, remember to swap the wires on terminals 11 and 12.

Device presentation and installation (continued)



- 1 Red call confirmation indicator
- 2 NC call button

Possibility of IP 44 with plate Cat. No. 0 788 80

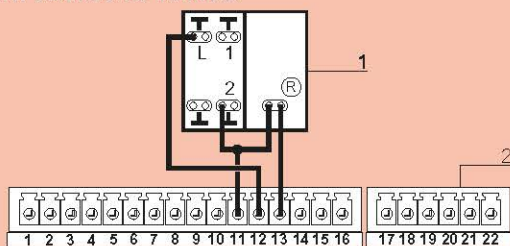
BATHROOM CALL UNITS OR CALL BUTTON CAT. NO. 0 766 85L

Technical characteristics

- Power supply: via door units Cat. No. 0 766 06 or 0 766 07
- Operating temperature: 5 to 40°C
- Storage temperature: -20 to 70°C
- Antimicrobial
- Protection index: IP 20
- Dimensions (H x W x D): 82 x 82 x 43 mm
- Installation:
 - in 1-gang flush-mounting box (2 modules)
 - in surface-mounting box Cat. No. 0 802 81 (IP 20)

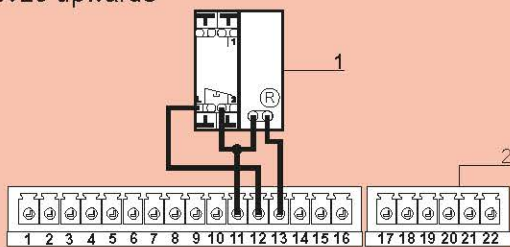
Connection of bathroom call unit

- From 06W30 to 15W22



- 1 Call unit terminal block: 0 766 85L
- 2 Door unit terminal block: 0 766 06/07

- 15W23 upwards



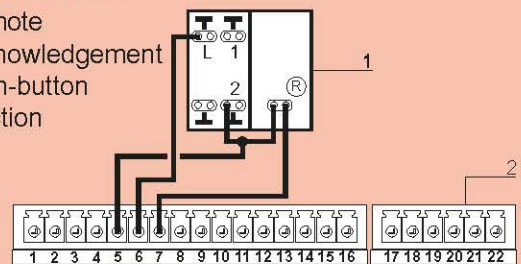
- 1 Call unit terminal block: 0 766 85L
- 2 Door unit terminal block: 0 766 06/07

Call unit terminal	Door unit terminal
L	→ 12
2 } R }	→ 11
R	→ 13

Connection of call button

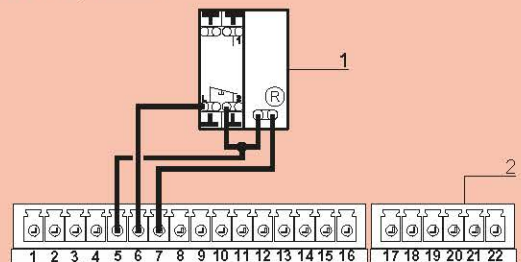
- From 06W30 to 15W22

Remote acknowledgement push-button function



- 1 Call unit terminal block: 0 766 85L
- 2 Door unit terminal block: 0 766 06/07

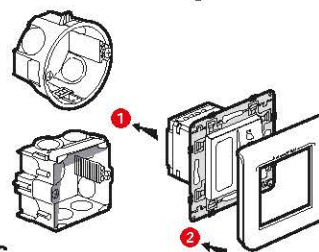
- 15W23 upwards



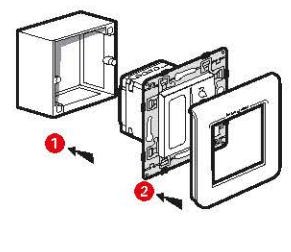
Call unit terminal	Door unit terminal	
	Bed 1	Bed 2
L	→ 6	9
2 } R }	→ 5	8
R	→ 7	10

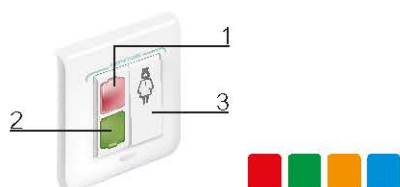
- 1 Call unit terminal block: 0 766 85L
- 2 Door unit terminal block: 0 766 06/07

Flush-mounted wall installation with 1-gang flush-mounting box



Surface-mounted wall installation with box Cat. No. 0 802 81





- 1 Red call confirmation indicator
- 2 Nurse present indicator
- 3 Presence and acknowledgement push-button

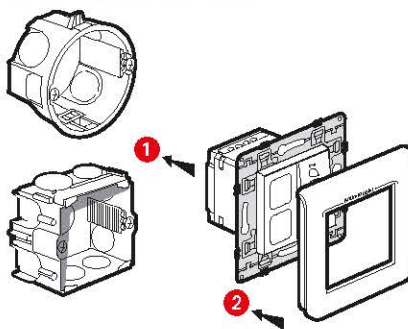
ACKNOWLEDGEMENT OR REMOTE ACKNOWLEDGEMENT PUSH-BUTTON CAT. NO. 0 782 04L

Comprising 2 white indicators which can be fitted with red and green labels and a push-button for nurse presence and call acknowledgement.
Recommendation: Place the red label on the call indicator (top indicator) and the green label on the bottom indicator.

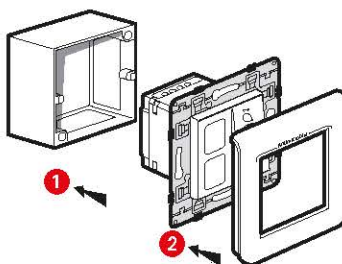
Technical characteristics

- Power supply: via door units Cat. No. 0 766 06 or 0 766 07
- Operating temperature: 5 to 40°C
- Storage temperature: -20 to 70°C
- Antimicrobial
- Protection index: IP 20
- Dimensions (H x W x D): 82 x 82 x 43 mm
- Installation:
 - in 1-gang flush-mounting box (2 modules)
 - in surface-mounting box Cat. No. 0 802 81 (IP 20)

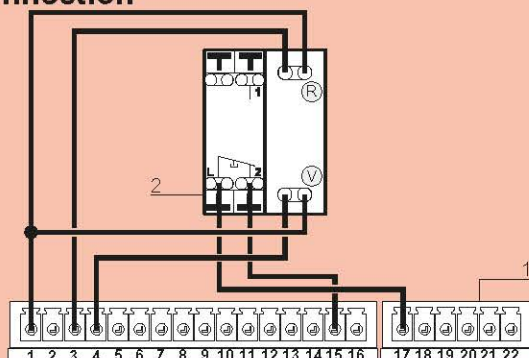
Flush-mounted wall installation with 1-gang flush-mounting box



Surface-mounted wall installation with box Cat. No. 0 802 81



Connection



- 1 Door unit terminal block: 0 766 06/07
- 2 Remote acknowledgement button terminal block: 0 782 04L

Acknowledgement PB	Door unit terminal
L	→ 17
2	→ 15
R	→ 1
R	→ 3
G	→ 1
G	→ 4

Device presentation and installation (continued)



KEYLESS RADIO RECEIVER CAT. NO. 51IVXNE1011013-01

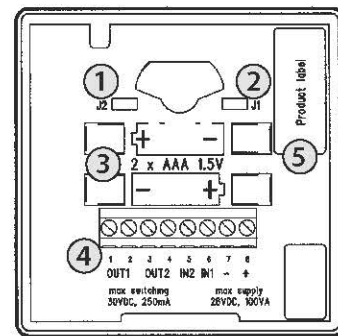
This is a radio unit which receives call signals emitted by personal radio triggers (eg: pendant trigger, watch, fall detection) as well as wired transmission of information to the door unit.

The receiver is supplied by the indicator power supply and is battery-backed.

The red LED indicates that the receiver is receiving radio transmission.

Once a day, the transmitter signals its presence to the receiver and warns it if the battery level is low. It is programmed and wired to trigger a chaser light on the SCS nurse call unit.

Rear view

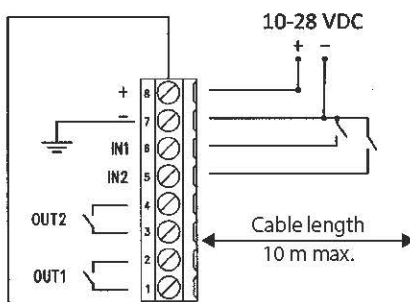


Technical characteristics

- Power supply: indicator power supply Cat. No. 0 782 90 (possible from 10 to 28 VDC) and 2 x 1.5 V AAA batteries (not supplied)
- Consumption: 1.2 W (at 28 V)
- Dimensions (H x W x D): 86 x 86 x 14 mm
- Two-way radio frequency: 869.2, 869.25 MHz (social alarm radio frequency)
- OUT contact: 2 contacts (max. 30 V, 250 mA)
- IN contact: 2 contacts
- Radio range: - inside building 20 metres from each side of the receiver to be checked
- unobstructed space range 250 metres

Neither of the 2 IN contacts are taken into account for 10 seconds after the product is supplied with power.

Detailed connector view



Item	Connector
1	J2 jumper
2	J1 jumper
3	2 x 1.5 V AAA batteries
4	Connector
5	Product label

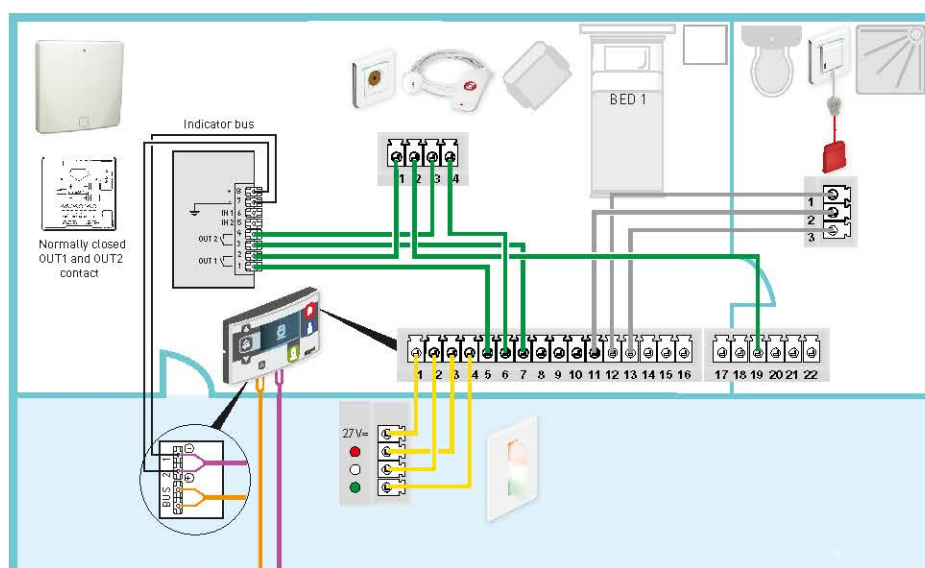
J1 + J2 jumpers (configurators)

By default, the J1 and J2 jumpers have the functions described below:

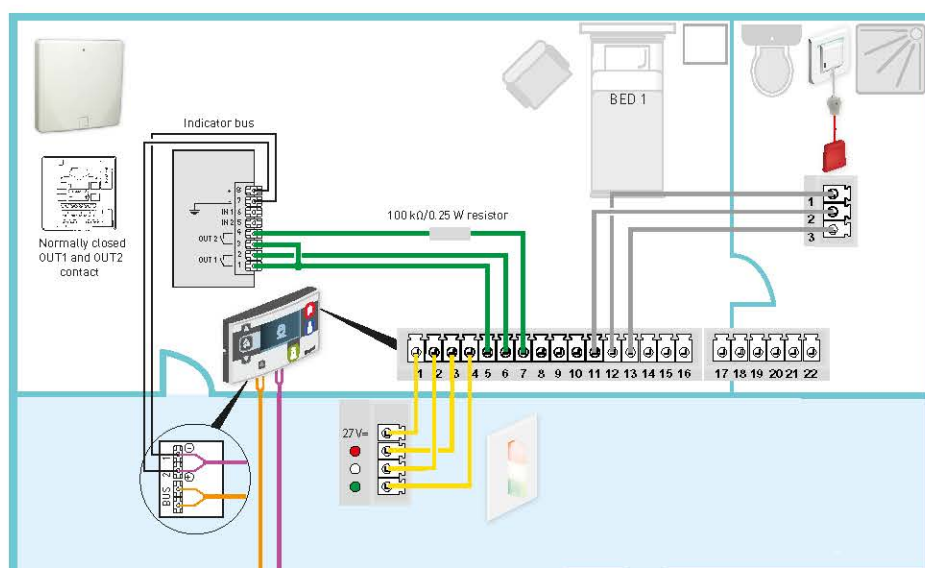
	Mounted	Not mounted
J1	Receiver ON, 24 V mode ¹	Receiver OFF, battery mode
J2	Normally closed contact input (IN1 and IN2)	Normally open contact input (IN1 and IN2)

¹ If the J1 jumper is mounted, the receiver should be powered by an external power supply (12 to 28 V).

Wiring diagram with hand-held remote control unit



Wiring diagram without hand-held remote control unit



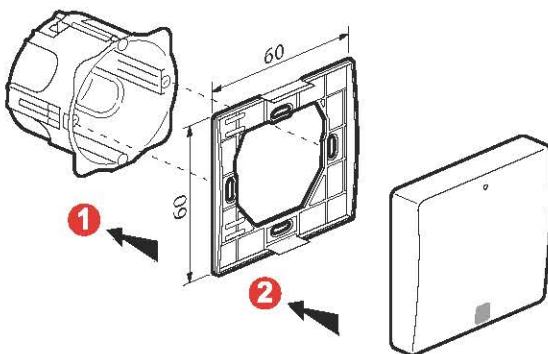
Device presentation and installation (continued)



KEYLESS RADIO RECEIVER
CAT. NO. 51IVXNE1011013-01 (CONTINUED)

Flush-mounted wall installation with flush-mounting box

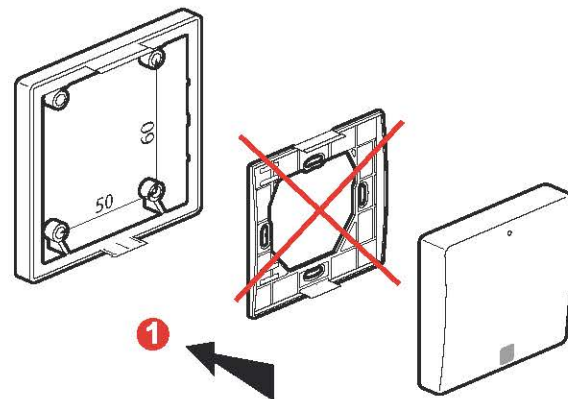
Principle for Cat. No. 51IVXNE1011013-01



SU BRACKET CAT. NO. 51IVXNE3211003-20/
51IVXNE3211003-21

Surface-mounted wall installation with box

Principle for Cat. No. 51IVXNE3211003-20





PERSONAL TRIGGER CAT. NO. 51IVXNE1014002-02

This is worn as a pendant or as a watch. It allows the resident to press the button in order to call a nurse. The red LED signals that radio transmission has taken place.

To ensure the device is safe, the trigger regularly checks the battery status and warns it if the battery level is low. If this is the case, the trigger must be replaced as soon as possible.

PROGRAMMING

The trigger must be programmed for "conventional" use with its associated receiver.

TECHNICAL CHARACTERISTICS

- Can be worn around the wrist or the neck
- Dimensions: 43 x 35 x 13 mm
- Sealed: IP 67*
- Frequency: 869.2-869.25 MHz dedicated to social alarms
- Two-way radio
- Visual indication for user
- Battery check

** The IP67 test corresponds to tests conducted on sample new triggers: they are submerged to a maximum depth of 1 m for 30 minutes maximum.*

SIMPLIFIED EU DECLARATION OF CONFORMITY

Intervox hereby declares that the aforementioned radio-electric equipment complies with directive 2014/53/EU. The full text of the EU declaration of conformity can be found at the following web address: www.intervox.fr

PERSONAL TRIGGER CAT. NO. 51IVXNE1016001-01

The wrist strap becomes operational as soon as it has been activated (by a long press on the middle of the transmitter face until the red LED flashes; the wrist strap then emits a vibration signal). When the wrist strap is detected, a delay of a few seconds is necessary before it can be detected a second time.

The trigger is made of a hypo-allergenic material which can be in continuous contact with the skin.

The battery has an expected lifetime of more than a year (although replacing the batteries annually is recommended).

The IP 67 protection allows residents to take showers.

The wrist strap transmitters can also be cleaned by placing them in an alcohol bath for 5 minutes.

They must be removed in the following cases:

- If they are faulty or the battery is dead
- When the resident leaves
- When the resident undergoes an MRI (Magnetic Resonance Imaging) scan

When the wrist strap needs to be replaced, order a new wrist strap Cat. No. 9 804 09/51IVXNE1016012-02.

When the wrist strap is no longer in use, it can be switched to storage mode to preserve battery life (first lay the wrist strap flat on a table to hold it still; then press the middle of the face until the red LED comes on; then release, and press 5 times in quick succession).

Technical characteristics

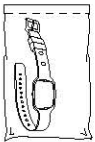
- IP 67
- Hypoallergenic plastic
- Frequency: 869.2125 MHz
- Power supply: 1 x CR2477 lithium battery
- Standby power: 18 months with normal usage
- Dimensions: 33 x 37 x 12.9 mm
- Weight: 35 g in working order

Device presentation and installation (continued)



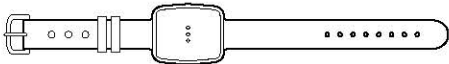
PERSONAL TRIGGER CAT. NO. 51IVXNE1016001-01 (CONTINUED)

CHANGING THE WRIST STRAP

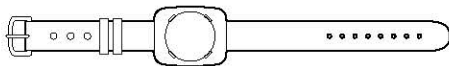


Firstly obtain a new wrist strap
(Cat. No. 9 804 09)

Back of the wrist strap transmitter:

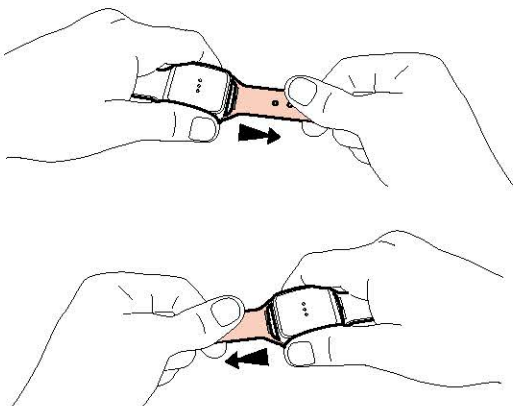


Front of the wrist strap transmitter:

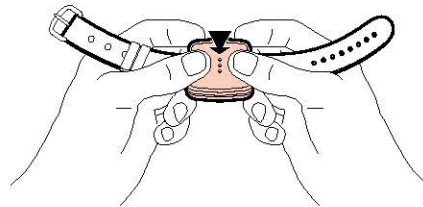


REMOVING THE OLD WRIST STRAP

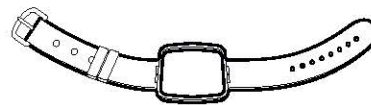
1 Lift the 2 parts of the wrist strap alternately, pulling outwards to release the holding pins.



2 Push on the casing to release it from the wrist strap.

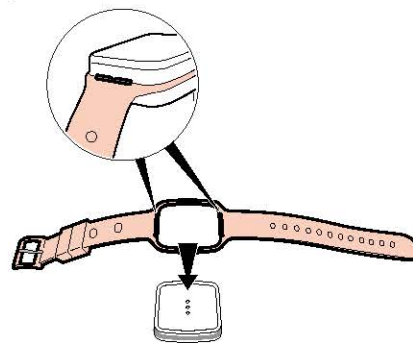


3 The wrist strap is removed.



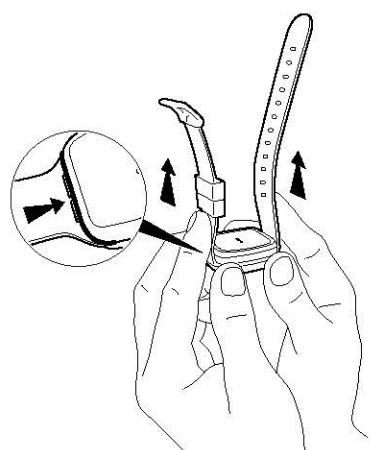
INSERTING THE NEW WRIST STRAP

4 Present the wrist strap to the casing by lifting both parts.

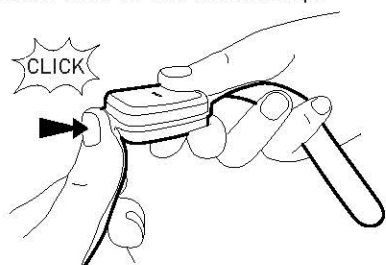


INSERTING THE NEW WRIST STRAP (CONTINUED)

5 Hold up both ends of the wrist strap so that the pins go into the transmitter groove.



6 Place the wrist strap facing down, while pushing the pins with your thumb. Repeat the operation for the other side of the wrist strap.



7 Check that the wrist strap is in place by pulling on the ends: the pins should not come out.



Device presentation and installation (continued)

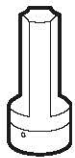


PERSONAL TRIGGER CAT. NO. 51IVXNE1016001-01 (CONTINUED)

CHANGING THE BATTERY

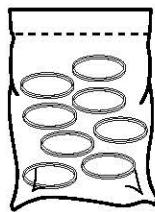
Kit Cat. No. 9 804 08

Battery replacement
tool



+

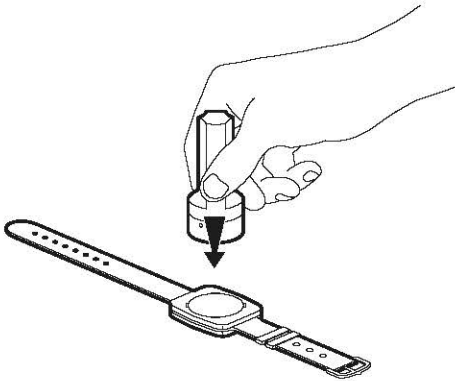
Seal x 20:



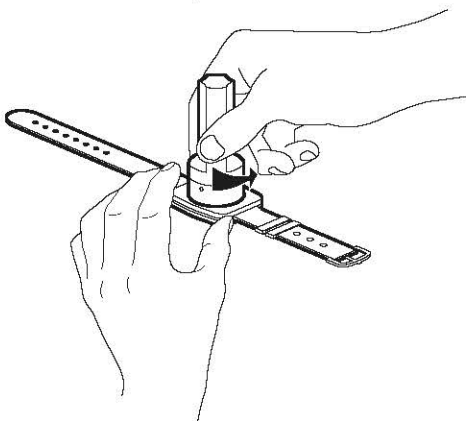
CR2477 battery
(not supplied):



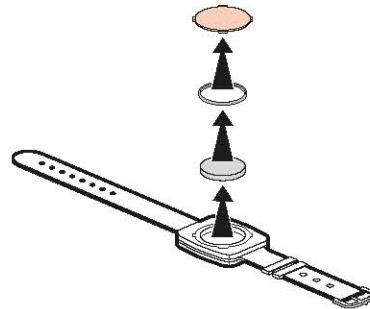
1 Take hold of the tool to remove the cover.



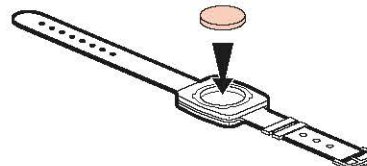
2 Turn as far as possible.



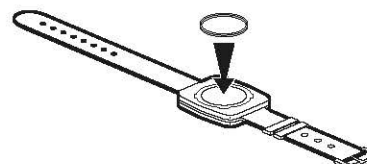
3 Remove the cover, seal and battery.



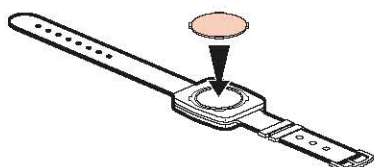
4 Replace the used battery.



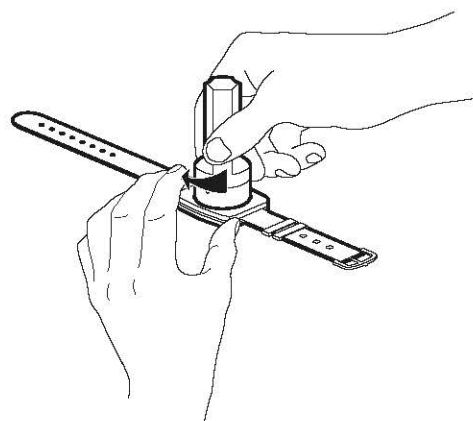
5 Insert a new seal.




6 Replace the cover.



7 Turn as far as possible.



 There is a risk of explosion if the battery is replaced with an incorrect battery type. Discard used batteries in accordance with the instructions.

Device presentation and installation (continued)

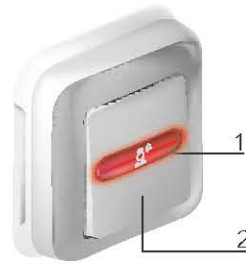


PROGRAMMING NPU CAT. NO. 51IVXNE1004006-07

The transmitters and receivers can be programmed by the manufacturer Intervox, who will invoice this service. This product may be sold by Intervox (a subsidiary of the Legrand Group) for maintenance purposes. It can be used to program transmitters associated with receivers.

For the initial installation, the installer can ask Intervox (a subsidiary of the Legrand Group) to program the transmitters and receivers (paid service unless the programming NPU is purchased).

For the maintenance team, this product can be sold with the programming procedure.



- 1 Red call confirmation indicator
- 2 NC call push-button

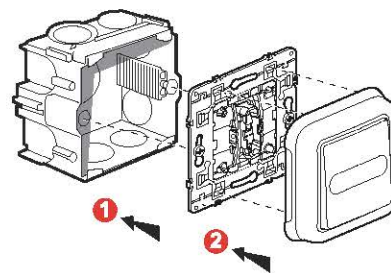
WATERPROOF CALL UNIT FOR BATHROOMS OR NON-STANDARD ENVIRONMENTS CAT. NO. 0 782 49

Allows patients to call a nurse.
Suitable for damp environments (eg: rehabilitation and spa recovery centres with swimming pool, steam room, sauna, etc). 2 products maximum per direction (bed/or bathroom).

Technical characteristics

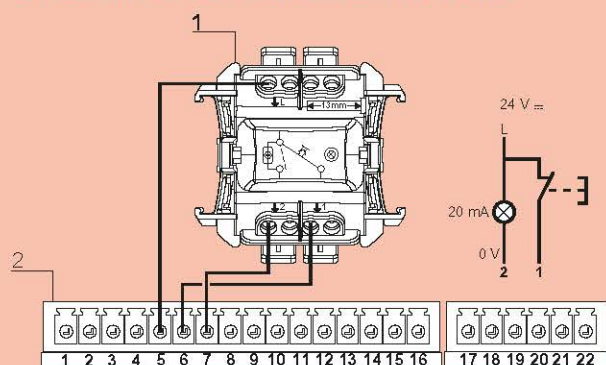
- Power supply: via door units Cat. No. 0 766 06 or 0 766 07
- Operating temperature: 5 to 40°C
- Storage temperature: -20 to 70°C
- Antimicrobial
- Protection index: IP 55 - IK 07
- Overall dimensions (H x W): 86 x 86 mm
- Installation: in 1-gang flush-mounting box

Flush-mounted wall installation with 1-gang flush-mounting box



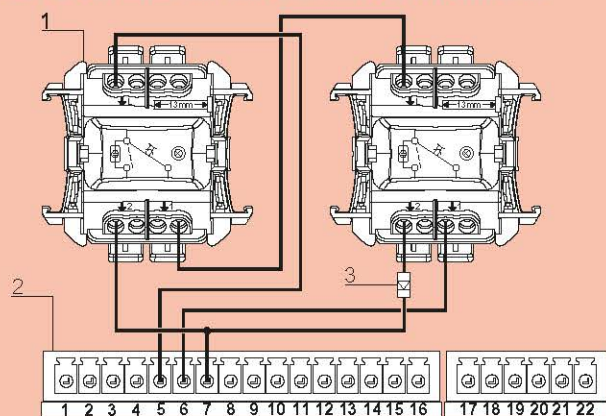
Connection

- Of call unit for non-standard environments



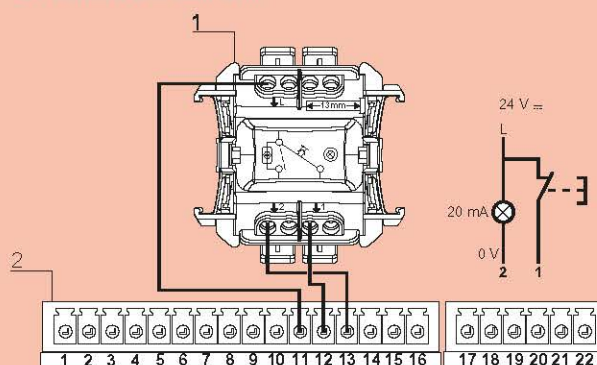
- 1 Waterproof call button terminal block: 0 782 49
- 2 Door unit terminal block: 0 766 06/07

- Of 2 call units for non-standard environments



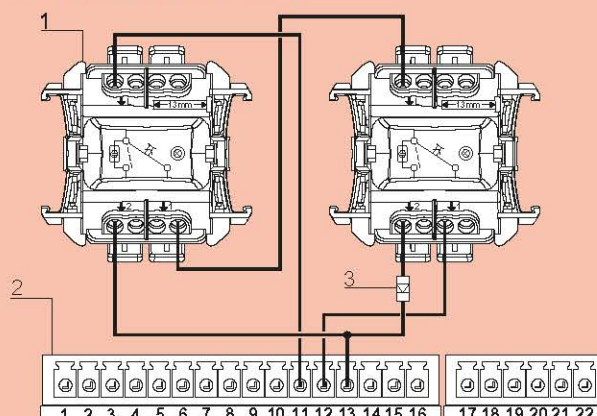
- 1 Waterproof call button terminal block: 0 782 49
- 2 Door unit terminal block: 0 766 06/07
- 3 Diode Cat. No. 1N4007 (50 V 1 A)

- Of bathroom call unit



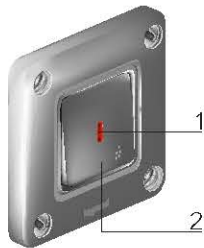
- 1 Waterproof call button terminal block: 0 782 49
- 2 Door unit terminal block: 0 766 06/07

- Of 2 bathroom call units



- 1 Waterproof call button terminal block: 0 782 49
- 2 Door unit terminal block: 0 766 06/07
- 3 Diode Cat. No. 1N4007 (50 V 1 A)

Device presentation and installation (continued)



- 1 Red call confirmation indicator
- 2 NC call push-button

CALL DEVICES FOR NON-STANDARD ENVIRONMENTS CAT. NO. 0 782 51

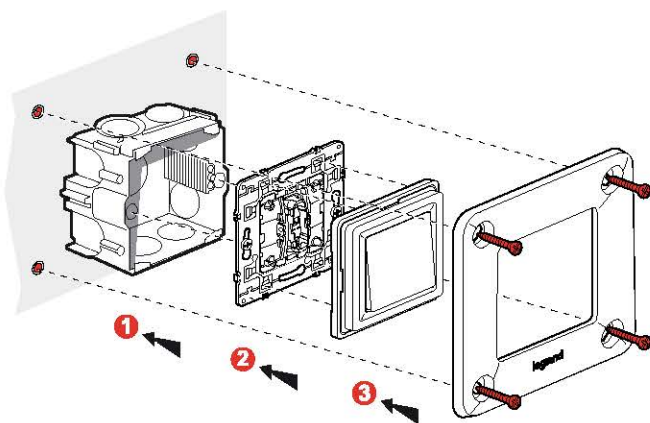
High-resistance call unit Cat. No. 0 782 51

Suitable for psychiatric and penal institutions, etc.

Technical characteristics

- Power supply: via door units Cat. No. 0 766 06 or 0 766 07
- Operating temperature: 5 to 40°C
- Storage temperature: -20 to 70°C
- Protection index: IP 55 - IK 10
- Overall dimensions (H x W): 110 x 110 mm
- Installation:
 - in 1-gang flush-mounting box
 - surface-mounted with box Cat. No. 0 778 90

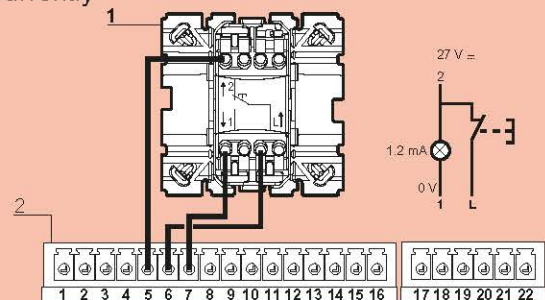
Flush-mounted wall installation with 1-gang flush-mounting box



Connection

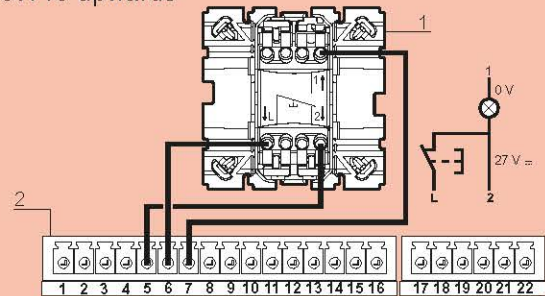
Example: 1 bed/cubicle.

- Currently



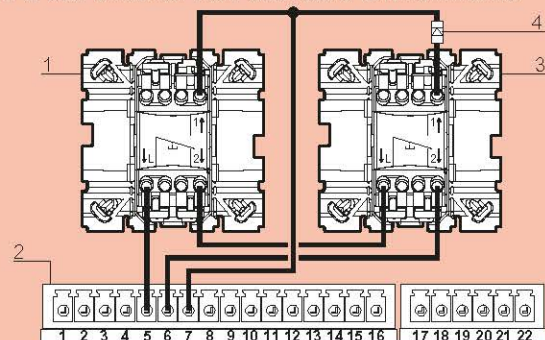
- 1 Soliroc call button terminal block: 0 782 51
- 2 Door unit terminal block: 0 766 06/07

- 15W48 upwards

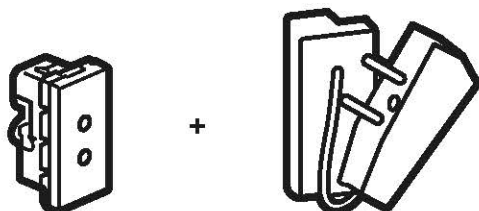


- 1 Soliroc call button terminal block: 0 782 51
- 2 Door unit terminal block: 0 766 06/07

- Of 2 call units for non-standard environments



- 1 and 3 Soliroc call button terminal block: 0 782 51
- 2 Door unit terminal block: 0 766 06/07
- 4 Diode (50 V 1 A)



BIOMEDICAL CALL DEVICES, SOCKET CAT. NO. 0 771 50 + PLUG CAT. NO. 0 782 07

Signals the end of a cycle via an alarm on the nurse call system.

For connection to portable electrical medical devices such as syringe pumps, respirators, etc.

Comprises:

- **Socket Cat. No. 0 771 50**

- **Shunt plug Cat. No. 0 782 07:**

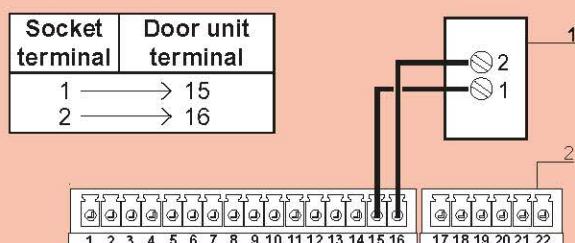
For setting biomedical alarm to standby.

Used with socket Cat. No. 0 771 50.

Technical characteristics

- Power supply: via door units Cat. No. 0 766 06 or 0 766 07
- Operating temperature: 5 to 40°C
- Storage temperature: -20 to 70°C
- Protection index: IP 20
- Overall dimensions (H x W): 45 x 22.5 mm
- Installation:
 - in 1-gang flush-mounting box with universal Batibox support Cat. No. 0 802 51
 - surface-mounted with box Cat. No. 0 802 81 and universal Batibox support Cat. No. 0 802 51
 - can be installed in trunking, bedhead strips or bedhead trunking units

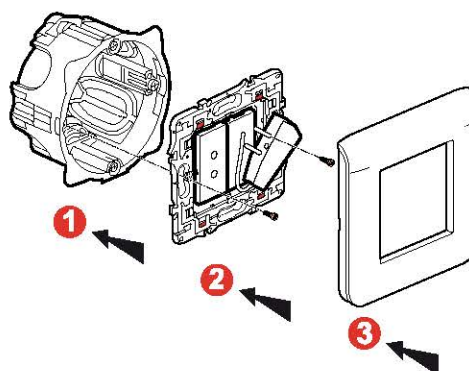
Connection



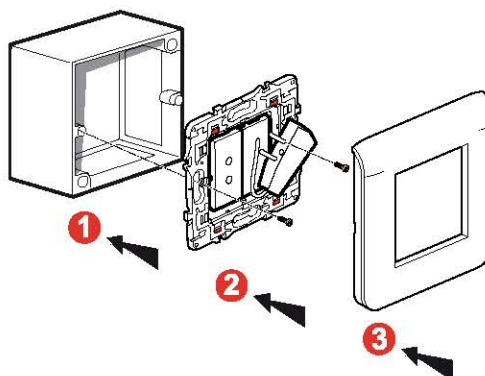
1 Biomedical call socket terminal block: 0 771 50

2 Door unit terminal block: 0 766 06/07

Flush-mounted wall installation in 1-gang flush-mounting box with support Cat. No. 0 802 51

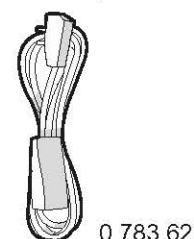


Flush-mounted wall installation in 1-gang flush-mounting box with support Cat. No. 0 802 51



Application example for nursing home/residential care home

A push-button cord can be included for the armchair call unit. NO/NC contact, factory-wired as NC.



Device presentation and installation (continued)

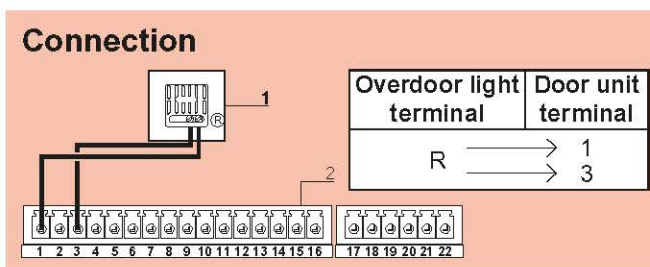


CORRIDOR OVERDOOR LIGHT UNITS

Transfer room status information to the corridor.
For installation above doors.

Call only corridor overdoor light unit Cat. No. 0 766 71L

For call signalling (1 call).



- 1 Overdoor light terminal block: 0 766 71L
- 2 Door unit terminal block: 0 766 06/07

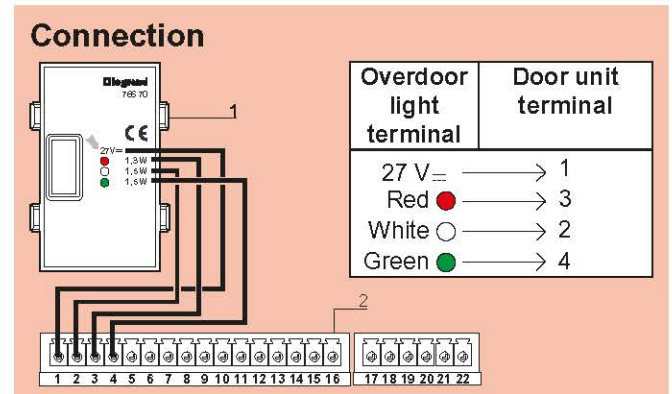
Call and nurse presence corridor overdoor light unit Cat. Nos. 0 766 70 and 0 766 76L

Used to signal calls, bathroom calls and nurse presence.

Triangular LED light units.

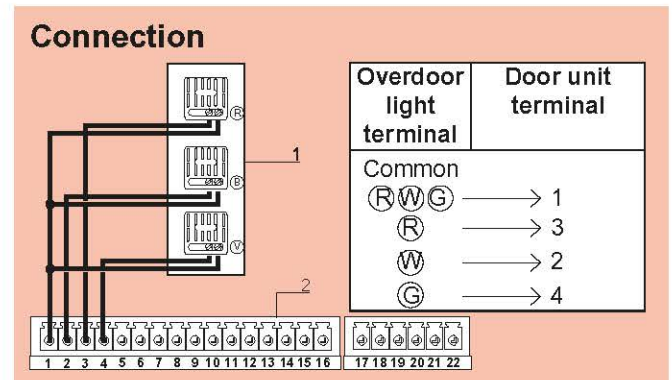
Recommended for compliance with VDE 0834-1, 0834-2 and DIN 41050 standards.

Cat. No. 0 766 70



- 1 Monobloc overdoor light terminal block: 0 766 70
- 2 Door unit terminal block: 0 766 06/07

Cat. No. 0 766 76L

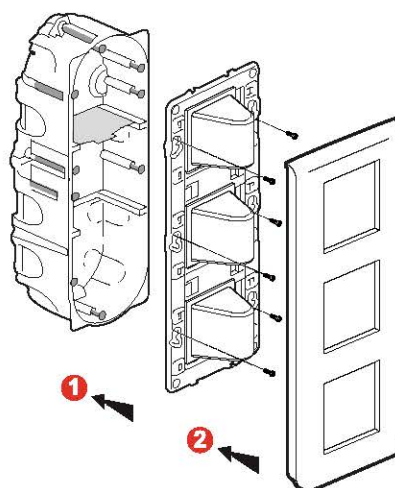


- 1 Red, white, green overdoor light terminal block: 0 766 76L
- 2 Door unit terminal block: 0 766 06/07

Technical characteristics

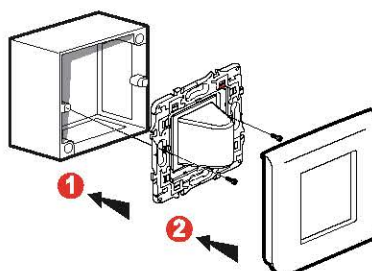
- Power supply: 27 V= (via indicator power supply)
- Operating temperature: 5 to 40°C
- Storage temperature: -20 to 70°C
- Protection index: IP 21
- Dimensions (H x W):
 - 0 766 71L: 82 x 82 mm
 - 0 766 70: 114 x 77.5 mm
 - 0 766 76L: 153 x 82 mm
- Installation:
 - in flush-mounting box
 - 1-gang for Cat. No. 0 766 71L
 - 1-gang for Cat. No. 0 766 70
 - 3-gang for Cat. No. 0 766 76L
 - surface-mounted
 - with box Cat. No. 0 802 81 for Cat. No. 0 766 71L
 - with box Cat. No. 0 802 83 for Cat. No. 0 766 76L

Principle for Cat. No. 0 766 76L



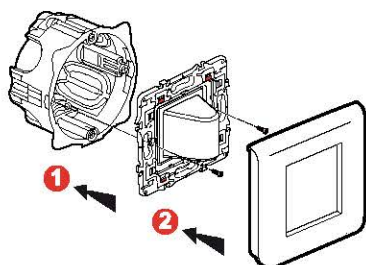
Surface-mounted wall installation with box

Principle for Cat. No. 0 766 71L

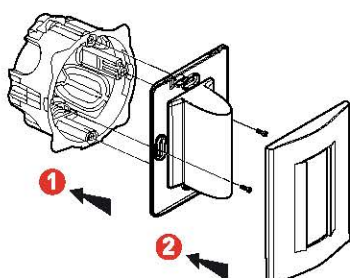


Flush-mounted wall installation with flush-mounting box

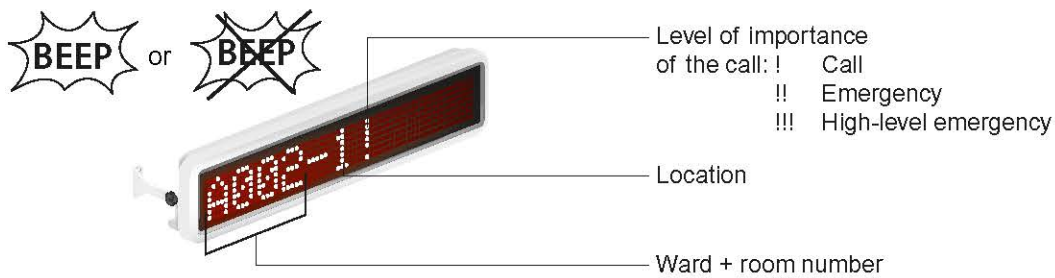
Principle for Cat. No. 0 766 71L



Principle for Cat. No. 0 766 70



Device presentation and installation (continued)



CORRIDOR DISPLAY UNITS CAT. NOS. 0 766 04 AND 0 766 05

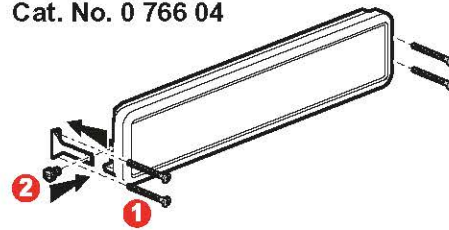
Indication of calls and nurse presence by priority level.
For installation in the corridor.
Supplied with power supply and interface.

Single display unit Cat. No. 0 766 04 and double display unit Cat. No. 0 766 05

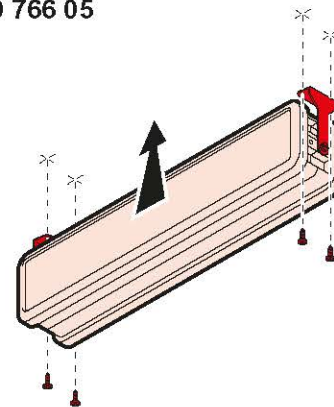
Technical characteristics

- Power supply: 27 V_{DC}
- Max. consumption: 0 766 04: 8 W
0 766 05: 16 W
- Operating temperature: 5 to 40°C
- Storage temperature: -20 to 70°C
- Protection index: IP 42
- Dimensions (H x W x D): 108 x 518 x 47 mm (0 766 04)
108 x 515 x 94 mm (0 766 05)
- Installation:
 - ceiling-mounted or wall-mounted
 - projecting using accessory Cat. No. 0 766 03
- Sound level: 55 dB(A) at 2 m

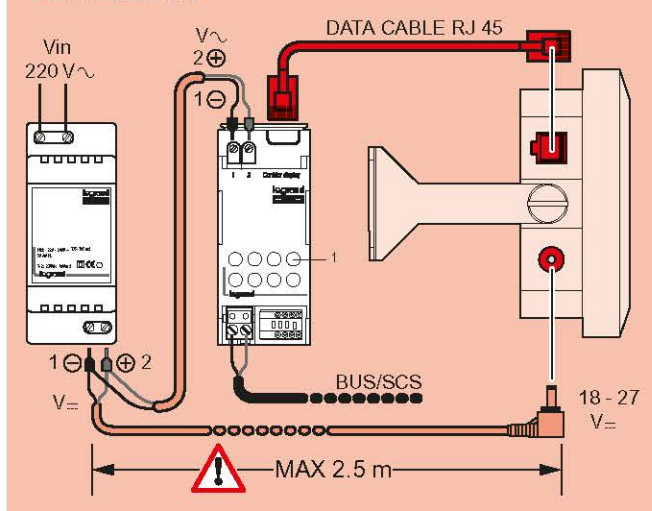
Wall-mounted installation of single display unit Cat. No. 0 766 04



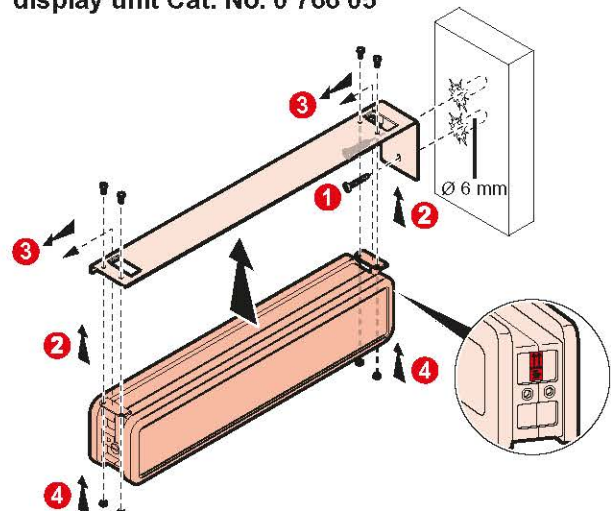
Ceiling-mounted installation of double display unit Cat. No. 0 766 05

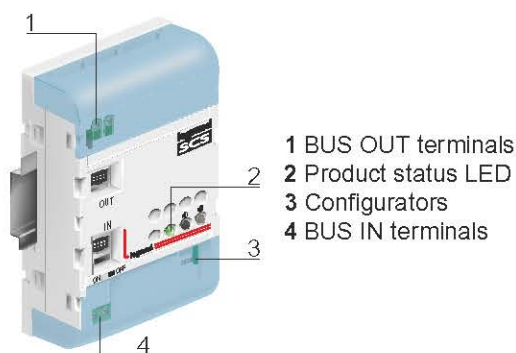


Connection



Projecting installation with accessory 0 766 03 for single display unit Cat. No. 0 766 04 or double display unit Cat. No. 0 766 05





BUS/SCS EXTENSION CAT. NO. 0 766 10

The BUS/SCS extension can be used to communicate information between two BUS/SCS nurse call systems. It is used where wards are grouped together or for wards of more than 50 rooms.

It has two bus linking terminals, marked IN and OUT. The front panel has a 'C' button for virtual configuration and an LED indicator:

- Correct power supply and configuration (on steady)
- BUS not connected (off)
- Missing or incorrect configuration (flashing)

⚠ No declaration button for virtual configuration (use the ID).

With virtual configuration in standalone mode, use the power supply for kit 0 766 16 (on the IN input) + a second external BUS/SCS power supply (on the OUT output).

Technical characteristics

- Power supply: 27 V_{DC}
- BUS power supply consumption during operation: 40 mA
- Operating temperature: 5 to 40°C
- Storage temperature: -20 to 70°C
- Dimensions: 4 DIN modules

Gateway version: Within a building allows extension of the number of wards (floors) by connection on the vertical bus (see example of installation on p. 4). Max: 14 products connected on the vertical bus.

Repeater version: Within a ward (Cat. No. 0 766 11) allows extension of the length of the BUS/SCS or an increase in the number of rooms. Max: 2 devices per bus (on each floor).



TRACEABILITY SOFTWARE CAT. NO. 0 766 18

This software is used to memorise and record the date and time of events and also categorise them according to type (calls, nurse presence, acknowledgement, etc). For installation on a PC connected to the traceability interface Cat. No. 0 766 17 via the USB (type A) - mini-USB (type A) cable.

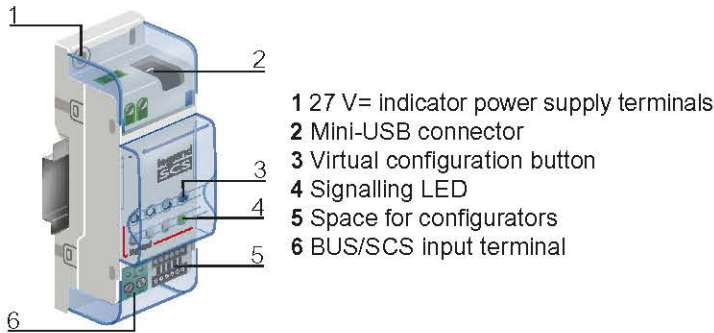
The software can be installed on a number of workstations.

Minimum system requirements

- PC equipped with a Pentium processor (1 GHz minimum)
- 512 MB (XP) or 1 GB (Vista/7) of RAM
- SVGA graphics card with 800 x 600 resolution, 256 colours
- 500 MB of hard disk space
- CD-ROM drive
- Mouse
- Windows XP (32-bit) Service Pack 2, Vista (32 and 64-bit), Windows 7 (32 and 64-bit)
- Microsoft .NET Framework 4.0
- A spreadsheet compatible with .csv files (eg: Excel, etc)
- Internet access for remote control and troubleshooting

⚠ The instructions for the traceability software can be found on the software CD.

Device presentation and installation (continued)



System requirements:

- PC with Pentium processor ≥ 1 GHz
- RAM: 512 MB (XP) or 1 GB (Vista/7)
- SVGA graphics card with 800x600 pixels, 256 colours
- 500 MB of hard disk space available
- CD-ROM drive
- Mouse
- Windows XP (32-bit) Service Pack 2, Vista (32 and 64-bit), Windows 7 (32 and 64-bit)
- Microsoft .NET Framework 4.0
- A spreadsheet compatible with .csv files (eg: Excel, etc)
- Internet access for remote control and troubleshooting

TRACEABILITY INTERFACE CAT. NO. 0 766 17

This interface is used to memorise all the events (up to 100,000 events: calls from patient rooms, calls from bathrooms, nurse presence and mute setting, biomedical alarm, system error, etc) that happen in a ward. The information is saved directly onto the device. The data can either be downloaded, or sent via RSS feed using the software Cat. No. 0 766 18 via the USB port.

After the 100,000th event, depending on the chosen parameter setting, either no more records are possible, or the oldest records are overwritten.

USB (type A) - mini-USB (type A) cable supplied (length 1.8 m).

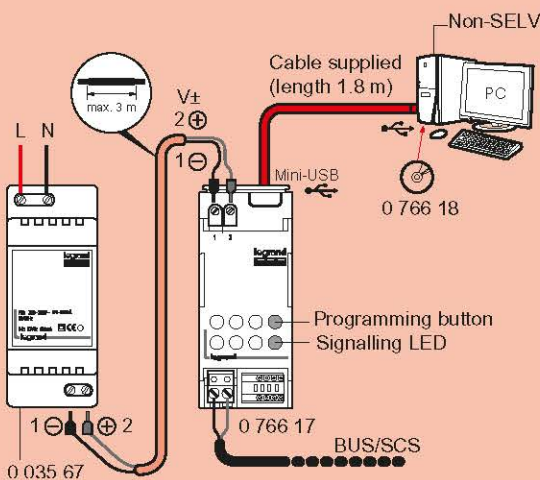
⚠ To have the traceability function, 1 interface must be installed per ward (1 interface cannot cover several wards, as it is monitored by the main nurses' control unit for its ward).

Technical characteristics

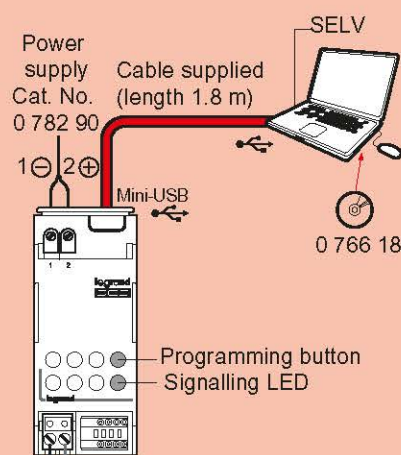
- Power supply: 27 V_~
- Indicator power supply consumption: 30 mA
- Bus power supply consumption: 4.5 mA
- Operating temperature: 5 to 40°C
- Storage temperature: -20 to 70°C
- Dimensions: 2 DIN modules

Connection

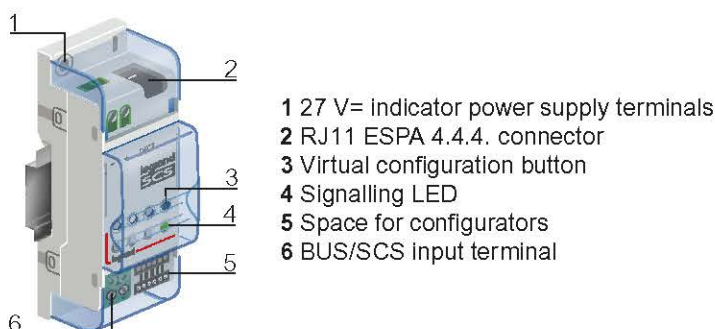
• Non-SELV



• SELV



⚠ To find out whether your computer is SELV or not, please refer to its power supply characteristics.



DECT INTERFACE CAT. NO. 0 766 19

This interface allows events to be transferred from the BUS system to the DECT system using the ESPA 4.4.4. protocol.

! To have the DECT function, 1 interface must be installed per ward (1 interface cannot cover several wards, as it is monitored by the main nurses' control unit for its ward).

Technical characteristics

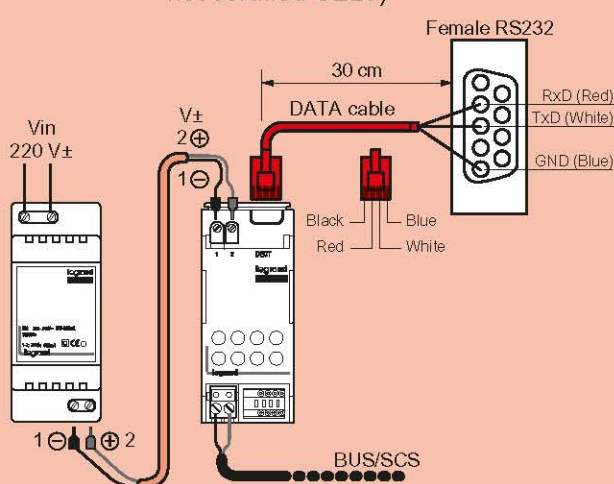
- Power supply: 27 V_{DC}
- Indicator power supply consumption: 30 mA
- Bus power supply consumption: 4.5 mA
- Operating temperature: 5 to 40°C
- Storage temperature: -20 to 70°C
- Dimensions: 2 DIN modules

Communication settings

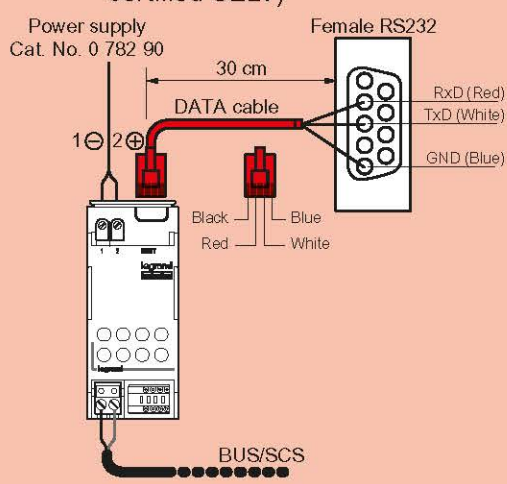
- Speed: 9600 bauds
- Data bits: 7
- Parity: Even
- Stop bit: 1

Connection

- Non-SELV (telephone coupler not certified SELV)



- SELV (telephone coupler certified SELV)



Device presentation and installation (continued)





INFORMATION FEEDBACK INTERFACE CAT. NO. 0 766 78

This contact interface allows visual or audible information to be fed back from a given ward to a remote area a long way from this ward (eg: corridor, etc).

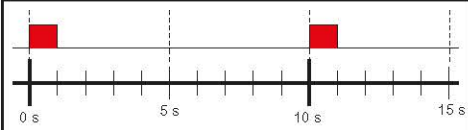
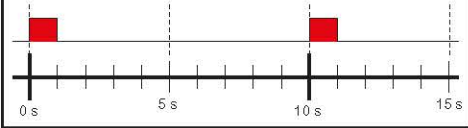
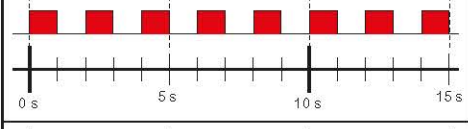
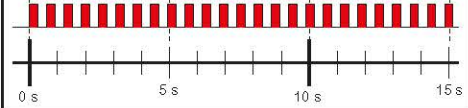
For installation in the place from which feedback needs to be sent.

Technical characteristics

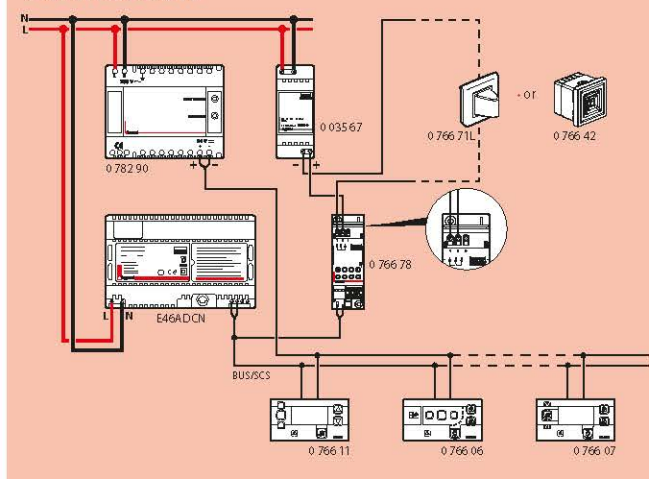
- Power supply: 27 V_{DC}
- Bus power supply consumption:
 - standby mode: 15 mA
 - max: 47 mA
- Operating temperature: 5 to 40°C
- Storage temperature: -20 to 70°C
- Dimensions: 2 DIN modules
- Double-insulated SELV safety device

			
110 V _~	440 VA	4 A	440 VA
230 V _~	920 VA		920 VA
12 V _{DC} /~	48 VA		48 VA
48 V _{DC} /~	192 VA		192 VA
			4 A

Audible information feedback (from buzzer Cat. No. 0 766 42)


Audible signal types	Description
	Patient call
	Bathroom call
	Emergency call
	High-level emergency call

Connection



Visual information feedback (from indicator Cat. No. 0 766 71L)

When a patient makes a call, regardless of its importance, the indicator lights up and stays on with a steady light until acknowledged by the nurse.

 This type of feedback does not take the call urgency into account



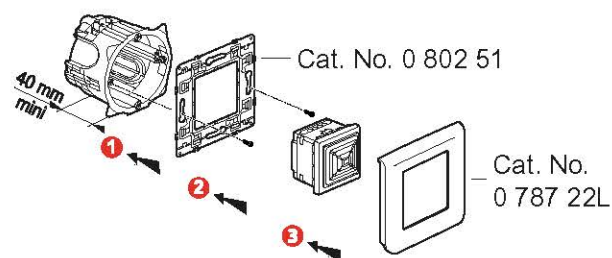
ELECTRONIC BUZZER CAT. NO. 0 766 42

Associated with an information feedback interface Cat. No. 0 766 78, this buzzer allows audible feedback of a call for amplification or transfer to a remote area.

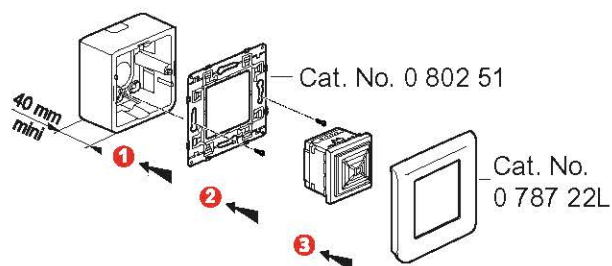
Technical characteristics

- Power supply: 27 V_{DC} (via power supply Cat. No. 0 035 67)
- Consumption: 9 mA
- Operating temperature: -10 to 55°C
- Storage temperature: -20 to 70°C
- Protection index: IP 41-IK 05
- Sound level: 80 dB(A) at 1 m
- Overall dimensions (H x W): 45 x 45 mm

Flush-mounted wall installation in 1-gang screw flush-mounting box



Surface-mounted wall installation with box Cat. No. 0 802 81



Device presentation and installation (continued)



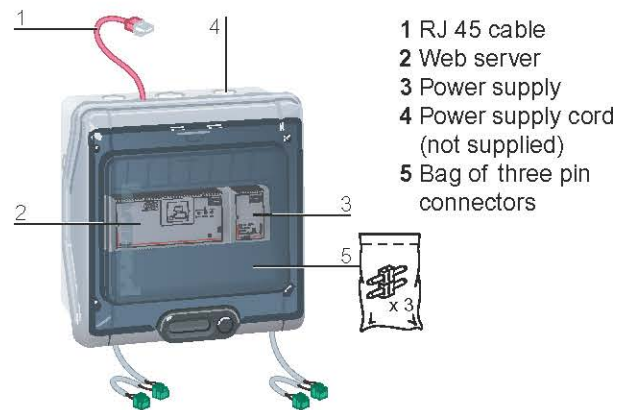
NURSE CALL CONFIGURATOR SOFTWARE CAT. NO. 0 766 15

This software is used for virtual configuration of the installation.

Used with configuration kit Cat. No. 0 766 16.

Minimum system requirements

- PC equipped with a Pentium processor (2 GHz minimum)
- 512 MB (XP) or 1 GB (Vista/7) of RAM
- SVGA graphics card with 800 x 600 resolution, 256 colours
- 500 MB of hard disk space
- CD-ROM drive
- Mouse
- Windows XP (32-bit) Service Pack 2, Vista (32 and 64-bit)
- Microsoft .NET Framework 3.5

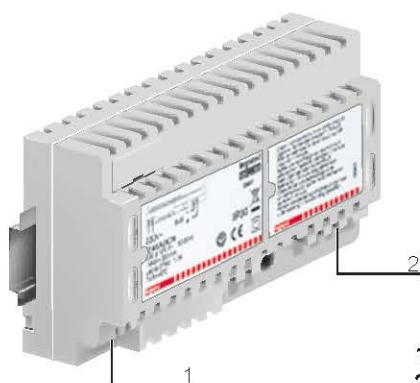


CONFIGURATION KIT CAT. NO. 0 766 16

This kit is used to configure hospital system products. To do this, it needs to be connected to a PC equipped with the Nurse Call Configurator software (0 766 15). It can be used independently of the installation (standalone) or connected to the existing installation.

Technical characteristics

- Supply voltage: 220 - 240 V \sim - 50/60 Hz
- Output voltage: 27 V \equiv
- Operating temperature: 0 to 45°C
- Storage temperature: -20 to 70°C
- Conforms to NF C 15-100



1 Power supply input
2 Power supply output

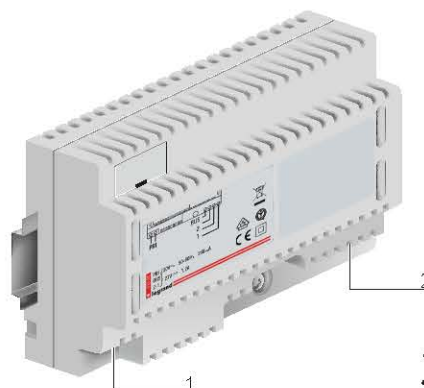
BUS/SCS POWER SUPPLY CAT. NO. 0 035 60 OR E46ADCN

The power supply should be used to power the system's communication bus (BUS/SCS). It also allows operation in a degraded mode, if the indicator power supply is no longer detected. Bus communication will therefore continue to work, but not the individual local indicators. Double-insulated SELV safety device.

Technical characteristics

- Supply voltage: 230 V \sim \pm 10% – 50/60 Hz
- BUS output voltage: 27 V \equiv
- BUS max. current: 1.2 A
- Max. dissipated power: 11 W
- Max. consumption: 43.4 W
- Operating temperature: 5 to 40°C
- Storage temperature: -20 to 70°C
- Protection index: IP 30
- Dimensions: 8 DIN modules
- Recommendation:
1 BUS power supply maximum for 50 directions*

* Direction: room from which the calls originate



1 Power supply input
2 Power supply output

BUS/SCS POWER SUPPLY FOR INTERPHONES CAT NO. 0 634 35 OR 346050

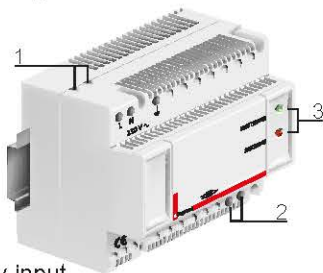
The power supply should be used to power the system's communication bus (BUS/SCS) in instances of installations with an interphone unit. It also allows operation in a degraded mode, if the indicator power supply is no longer detected. Bus communication will therefore continue to work, but not the individual local indicators. Double-insulated SELV safety device.

Technical characteristics

- Supply voltage: 230 V \sim
- BUS output voltage: 27 V \equiv
- BUS max. current: 1.2 A
- Max. dissipated power: 11 W
- Max. consumption: 43.4 W
- Operating temperature: 5 to 40°C
- Storage temperature: -20 to 70°C
- Protection index: IP 30
- Dimensions: 8 DIN modules
- Recommendation:
1 BUS power supply maximum for 50 directions*

* Direction: room from which the calls originate

Device presentation and installation (continued)



- 1 Power supply input
 2 Output
 3 Signalling LED
 - Green LED = normal operation
 - Red LED = overload

INDICATOR POWER SUPPLY CAT. NO. 0 782 90

This power supply should be used to power signalling indicators and those on door units, nurses' control units, overdoor light units, etc.
 Double-insulated SELV safety device.

Technical characteristics

- Supply voltage: 230 V \sim \pm 10% – 50/60 Hz
- Output voltage: 29 V $_{DC}$
- Max. current: 2 A
- Max. consumption: 64.5 W
- Operating temperature: 5 to 40°C
- Storage temperature: -20 to 70°C
- Protection index: IP 30
- Dimensions: 6 DIN modules
- Installation without interphones:
1 power supply for 25 directions*
- Installation with interphones:
1 power supply for 16 directions*

* Direction: rooms from which the calls originate



AUXILIARY POWER SUPPLY CAT. NO. 0 035 67 OR E49

Used to supply DECT interface Cat. No. 0 766 19, traceability interface Cat. No. 0 766 17 and corridor display units Cat. Nos. 0 766 04/05.
 Double-insulated SELV safety device.

Technical characteristics

- Supply voltage: 230 V \sim
- BUS output voltage: 27 V $_{DC}$
- BUS max. current: 600 mA
- Max. power: 21.5 W
- Max. consumption: 26.8 W
- Operating temperature: 5 to 40°C
- Storage temperature: -20 to 70°C
- Protection index: IP 20
- Dimensions: 2 DIN modules



CABLE CAT. NO. 0 492 72 (200 metres) and CABLE CAT. NO. 0 492 75 (500 metres) from 18W17 UPWARDS

Cable Cat. No. 0 492 72 replaces Cat. No. 0 492 33 from 11W45 to 18W16.

Cable Cat. No. 0 492 75 replaces Cat. No. 0 492 73 from 11W45 to 18W16.

Halogen-free BUS/SCS cable used to connect communicating products in the nurse call system. This cable takes account of the new 2017 standards. It should be used in commercial buildings subject to fire resistance regulations.

Installation

The cable must be installed in ELV cable ducting. If installed underground (between buildings), it must be installed in dedicated ELV conduit.

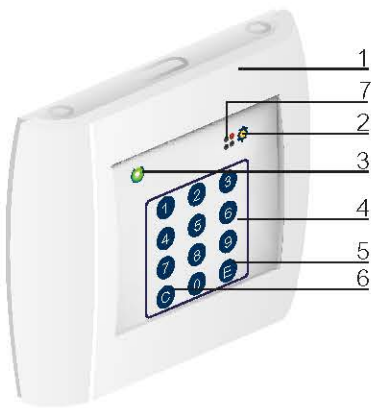
Reference standards

The cable complies with the requirements of standards: EN 50290, EN 50395, EN 50575. According to standard EN 50575 of regulation EU No. 305/2011, the cable is classified Cca-s1b, type 1 cable.

Technical characteristics

- Sheath colour: white (RAL 9010)
- Outer diameter: 7.3 mm
- Number of wires: 2 unshielded flexible twisted wires with a sheath
- Wire colour: brown - brown/white
- Wire cross-section: 0.56 mm²
- Conductor material: red electrolytic copper
- Electrical resistance: less than 72 Ω/km
- Operating temperature: -15 to 70°C
- Short-circuit temperature: 150°C max.
- Storage temperature: -20 to 70°C
- Length: 200 m/500 m on a drum

Device presentation and installation (continued)



- 1 Wrist strap activation magnet
- 2 Detection LED (orange)
- 3 Status LED (green)
- 4 Code keypad
- 5 Enter key
- 6 Cancel key
- 7 Buzzer

SECURE WANDERING SYSTEM

Signals that a door has been passed through by a resident wearing a wrist strap Cat. No. 0 766 20. Works with door unit Cat. No. 0 766 06 configured for secure wandering and allowing acknowledgement.

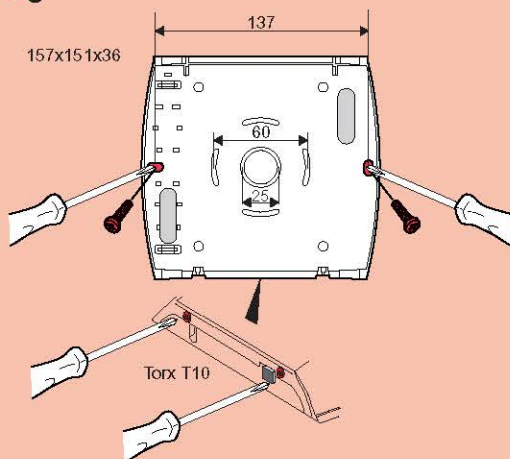
Door controller Cat. No. 0 766 22

The door controller retrieves information from antenna Cat. No. 0 766 21 and door contact Cat. No. 0 431 00 and either triggers a nurse call or locks the door, depending on its operating mode. If the door is locked, it can be unlocked using special codes. The coded keypad picks up the wrist strap signal when a resident passes through a predefined door. Requires a 12 V= modular power supply.

Technical characteristics

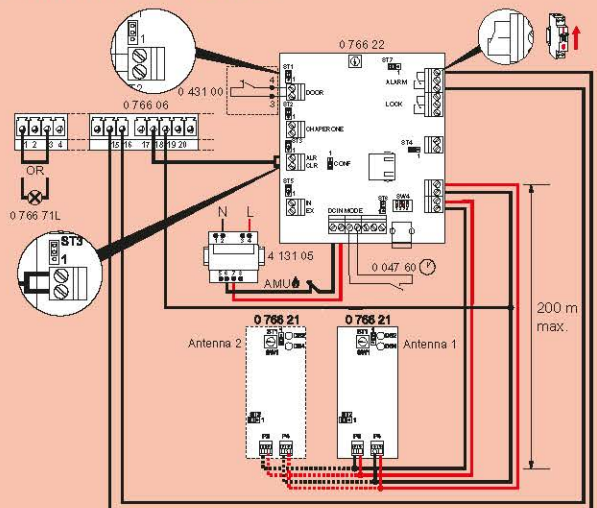
- Power supply: 12 V=
- Dimensions (H x W x D): 120 x 150 x 50 mm
- Wall-mounted with screws
- Operating temperature: 0 to 45°C
- Storage temperature: -20 to 70°C

Fixing

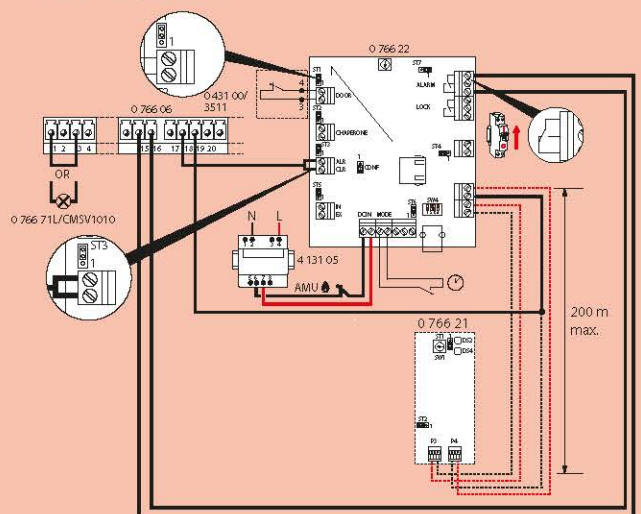


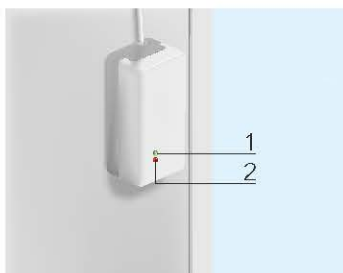
Connection

- From 11W45 to 15W27



- 15W28 upwards

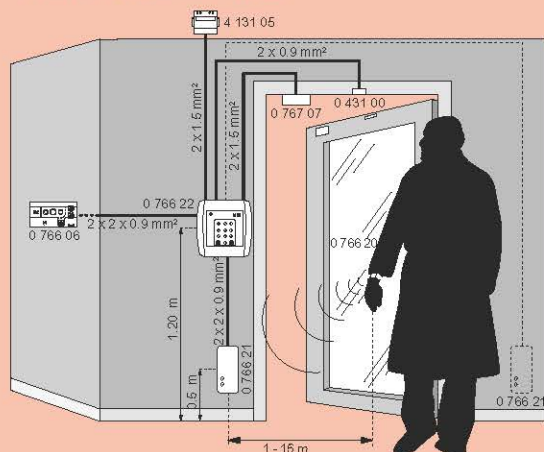




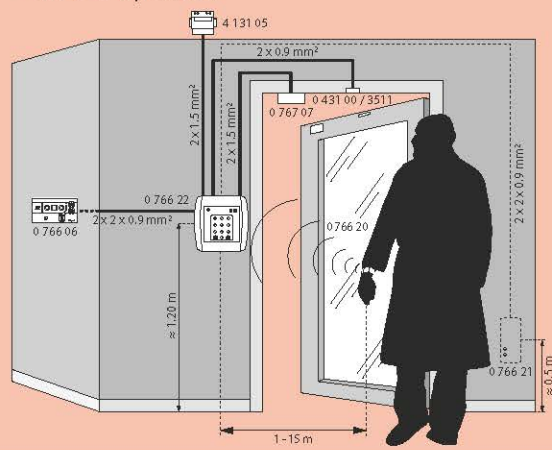
- 1 Status LED (green)
- 2 Detection LED (red)

Mounting

- From 11W45 to 15W27



- 15W28 upwards



Antenna Cat. No. 0 766 21

Receives the wrist strap signal and transmits it to the controller Cat. No. 0 766 22. It is possible to adjust the antenna's range (approx. 1 to 15 m).

Technical characteristics

- Power supply: via door controller Cat. No. 0 766 22
- Dimensions (H x W x D): 50 x 100 x 40 mm
- Wall-mounted with screws
- Operating temperature: 0 to 45°C
- Storage temperature: -20 to 70°C

Fixing



Wrist strap Cat. No. 0 766 20 (17W01)

Fitted with an 869 MHz radio transmitter.

Permanent fixing.

Commissioning: see the secure wandering manual LE04653.

The batteries should be changed every year.



Technical characteristics

- IP 67
- Anti-allergy
- Colour: white transmitter and black wrist strap



Operating modes

CALL + NURSE PRESENCE

This is the basic programme for all hospital signalling installations. It provides all essential functions as standard, and can be extended with Secure Wandering and Interphone functions.

Scenario 1: 1 - Patient calls from the room



The patient calls by pressing a button on the hand-held remote control unit.



The door unit signals the call and emits an audible alarm.

2 - Nurse present in the room



The nurse signals their presence on the door unit.



The door unit switches off the audible alarm.

3 - Nurse hangs up the call



The nurse signals that the call has been dealt with.



The door unit turns off.



The red indicator on the corridor overdoor light comes on with a steady light.



The corridor display unit signals the room making a call.



The nurses' station control unit signals the room making a call and emits an audible alarm.



The green indicator on the corridor overdoor light also comes on with a steady light.



The corridor display unit signals the presence of a nurse.



The nurses' station control unit signals the nurse's presence in the room.



All the indicators on the corridor overdoor light turn off.



The corridor display unit no longer signals this call.



The nurses' station control unit no longer signals this call.

Operating modes (continued)

BATHROOM CALL + NURSE PRESENCE

Scenario 2:
1 - Patient calls from the bathroom



The door unit signals the call and emits an audible alarm.

2 - Nurse present in the room



The nurse signals their presence on the door unit.



The door unit switches off the audible alarm.

3 - Nurse hangs up the call



The nurse signals that the call has been dealt with.



The door unit turns off.



The red and white indicators on the corridor overdoor light come on with a steady light.



The corridor display unit signals the room making a call (bathroom call signalled).



The nurses' station control unit signals the room making a call.



The green indicator on the corridor overdoor light also comes on with a steady light.



The corridor display unit signals the presence of a nurse.



The nurses' station control unit signals the nurse's presence in the room.



All the indicators on the corridor overdoor light turn off.



The corridor display unit no longer signals this call.



The nurses' station control unit no longer signals this call.

Operating modes (continued)

CALL + NURSE PRESENCE + NURSE ASSISTANCE (EMERGENCY CALL)

Scenario 3:

- 1 - Patient calls from the room (see scenario 1 Call + Nurse Presence)
- 2 - Nurse present in the room
- 3 - Nurse requests assistance



The nurse requests assistance from another nurse by pressing the call button on the door unit.

OR



The nurse requests assistance from another nurse by pressing the call button on the hand-held remote control unit.



The call button begins to flash red and emits a rapid audible alarm.

4 - Nurse assistance present in the room



The second nurse signals their presence on the door unit.

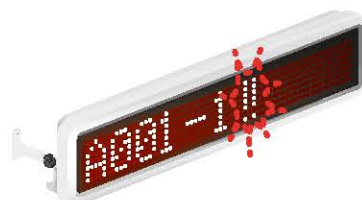


The door unit switches off the audible alarm.

5 - Call is hung up (see scenario 1 Call + Nurse Presence)



The red indicator flashes and the green indicator remains on with a steady light.



The corridor display unit signals the room making the call.



The nurses' station control unit signals the room making a call and emits a more rapid audible alarm.



The red and green indicators on the corridor light unit come on with a steady light.



The corridor display unit no longer signals this call.



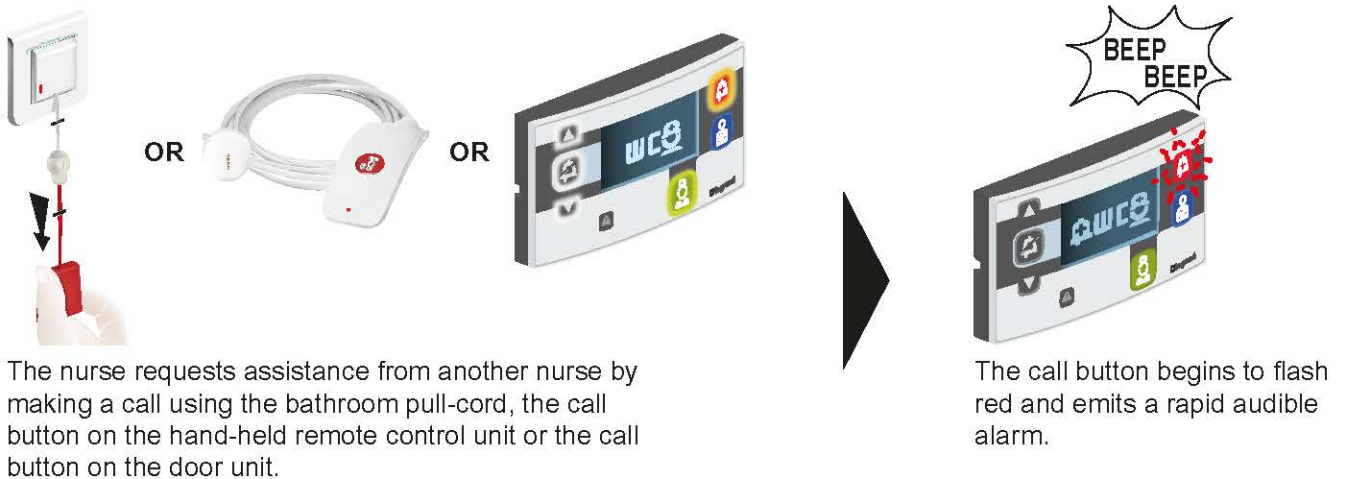
The nurses' station control unit no longer signals this call.

Operating modes (continued)

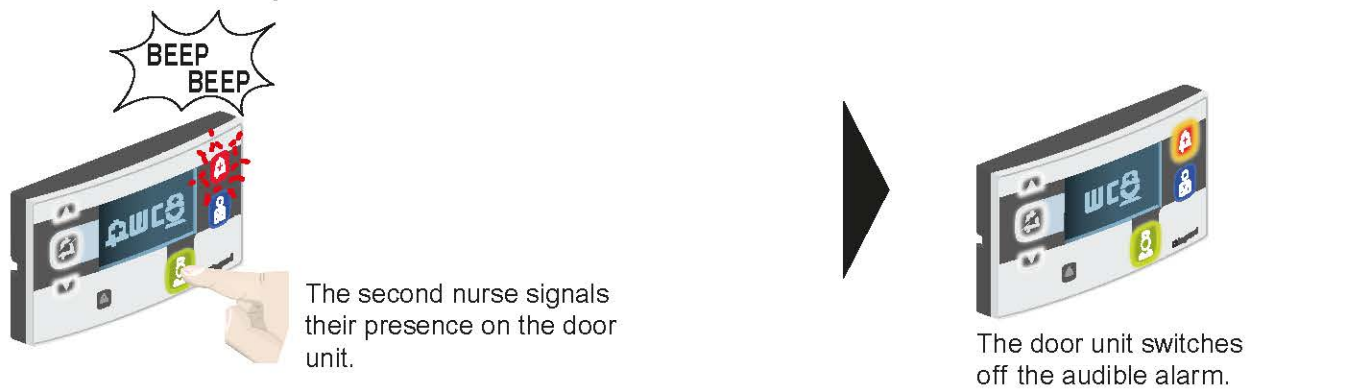
BATHROOM CALL + NURSE PRESENCE + NURSE ASSISTANCE (EMERGENCY CALL)

Scenario 4:

- 1 - Patient calls from the bathroom (see scenario 2 Bathroom Call + Nurse Presence)
- 2 - Nurse present in the room
- 3 - Nurse requests assistance



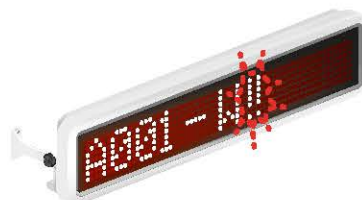
4 - Nurse assistance present in the room



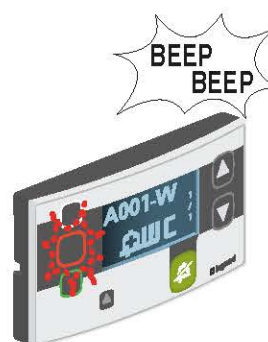
5 - Call is hung up (see scenario 2 Bathroom Call + Nurse Presence)



The red indicator flashes and the green and white indicators remain on with a steady light.



The corridor display unit signals the room making a call (bathroom call signalled).



The nurses' station control unit signals the room making a call and emits a more rapid audible alarm.



The red and green indicators on the corridor light unit come on with a steady light.



The corridor display unit no longer signals this call.



The nurses' station control unit no longer signals this call.

Operating modes (continued)

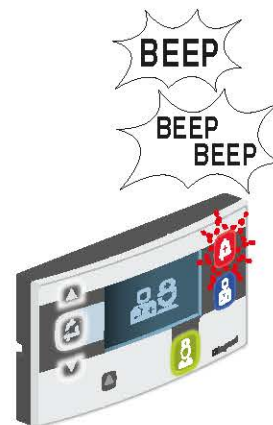
CALL + NURSE PRESENCE + HIGH-LEVEL EMERGENCY CALL (DOCTOR OR CRASH TEAM)

Scenario 5:

- 1 - Patient calls from the room (see scenario 1)
- 2 - Nurse present in the room (see scenario 1)
- 3 - Nurse requests high-level assistance (doctor or crash team)



The nurse requests high-level emergency assistance from the crash team by pressing the call button on the door unit.



The call button begins to flash and emits a very rapid audible alarm.

4 - Medical professionals present in the room



The medical professionals signal their presence on the door unit.

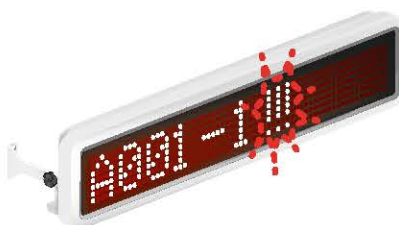


The door unit switches off the audible alarm.

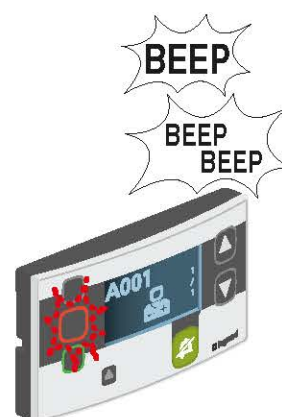
5 - Call is hung up (see scenario 1 Call + Nurse Presence)



The red indicator flashes quickly.



The corridor display unit signals the room making the call.



The nurses' station control unit signals the room making a call and emits a more rapid audible alarm.



The red indicator on the corridor overdoor light comes on with a steady light.



The corridor display unit no longer signals this call.



The nurses' station control unit no longer signals this call.

Operating modes (continued)

BATHROOM CALL + NURSE PRESENCE + HIGH-LEVEL EMERGENCY CALL (DOCTOR OR CRASH TEAM)

Scenario 6:

- 1 - Patient calls from the room (see scenario 2)
- 2 - Nurse present in the room (see scenario 2)
- 3 - Nurse requests high-level assistance



The nurse requests high-level emergency assistance from the crash team by pressing the call button on the door unit.



The door unit signals the call and emits a very rapid audible alarm.

4 - Medical professionals present in the room

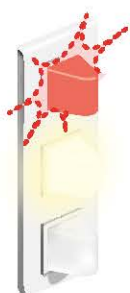


The medical professionals signal their presence on the door unit.

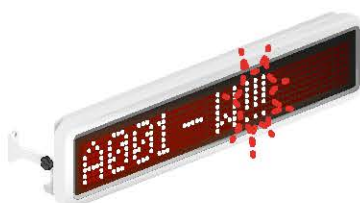


The door unit switches off the audible alarm.

5 - Call is hung up (see scenario 1 Call + Nurse Presence)



The red indicator flashes quickly.



The corridor display unit signals the room making a call (bathroom call signalled).



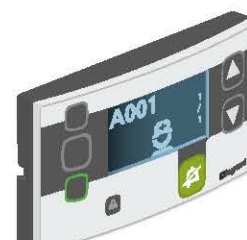
The nurses' station control unit signals the room making a call and emits a more rapid audible alarm.



The red and white indicators on the corridor overdoor light come on with a steady light.



The corridor display unit no longer signals this call.



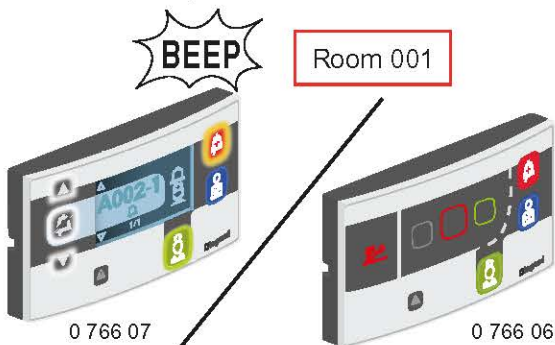
The nurses' station control unit signals the nurse's presence in the room.

Operating modes (continued)

CALL FORWARDING BETWEEN ROOMS IN THE PRESENCE OF A NURSE

Scenario 7:

- 1 - Patient in room 001 calls for a nurse
- 2 - Nurse goes to that room and confirms their presence
- 3 - Another patient in room 002 calls for a nurse
- 4 - Call-forwarding between rooms:
 - 1 - To door unit 0 766 06: the indicators lighting up allow the nurse to be alerted (not possible to identify which room they come from)
 - 2 - To door unit 0 766 07: the call is displayed on screen (indication of call from room 002 for the nurse in room 001). The door unit then assumes the role of main nurses' control unit.

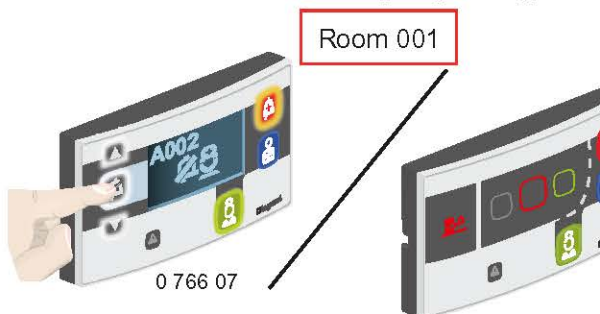


The door unit signals the call from the room (indicating the room number on the display unit) and emits an audible alarm.



The door unit signals the call and emits an audible alarm.

5 - The new call is acknowledged (muting)



The nurse indicates acknowledgement of the new call and the audible alarm is switched off.

Muting not possible on 0 766 06



The door unit signals the call. The audible alarm is switched off.

6 - Nurse present in room 002 (see scenario 1)

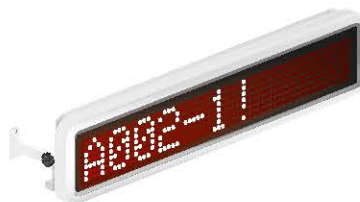
7 - Call is hung up (see scenario 1)

or

- Nurse requests assistance (see scenario 1)



The red indicator on the corridor overdoor light comes on with a steady light.



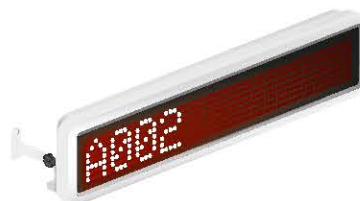
The corridor display unit signals the most recent call.



The nurses' station control unit signals the rooms making calls.



The red indicator on the overdoor light unit remains on.



The corridor display unit signals the room making a call.



The nurses' station control unit signals the room making a call.

Operating modes (continued)

PATIENT CALL WITH INTERPHONE INSTALLATION

1 - Patient calls from room



The patient calls by pressing a button on the hand-held remote control unit (scenario 1).



The nurses' station control unit signals the room making a call and emits an audible alarm.

2 - End of conversation. The call remains live



Once the call has been dealt with, the nurse ends the conversation.

OR

2b - Nurse hangs up the call



Once the conversation has finished, the nurse hangs up the call.



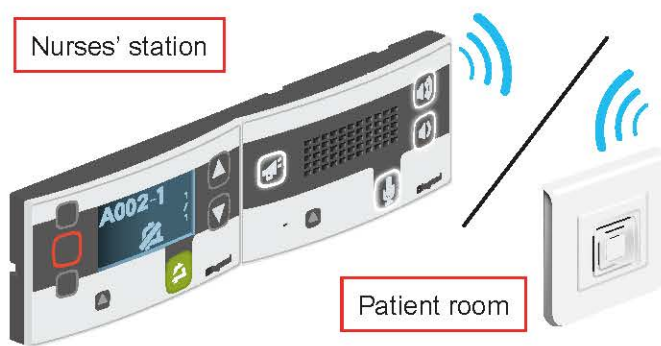
The nurses' station control unit still signals the call.



The door unit switches off.



The nurse makes contact with the patient.



The audible alarm is switched off.
The nurse and the patient can talk.



The door unit remains in call mode.



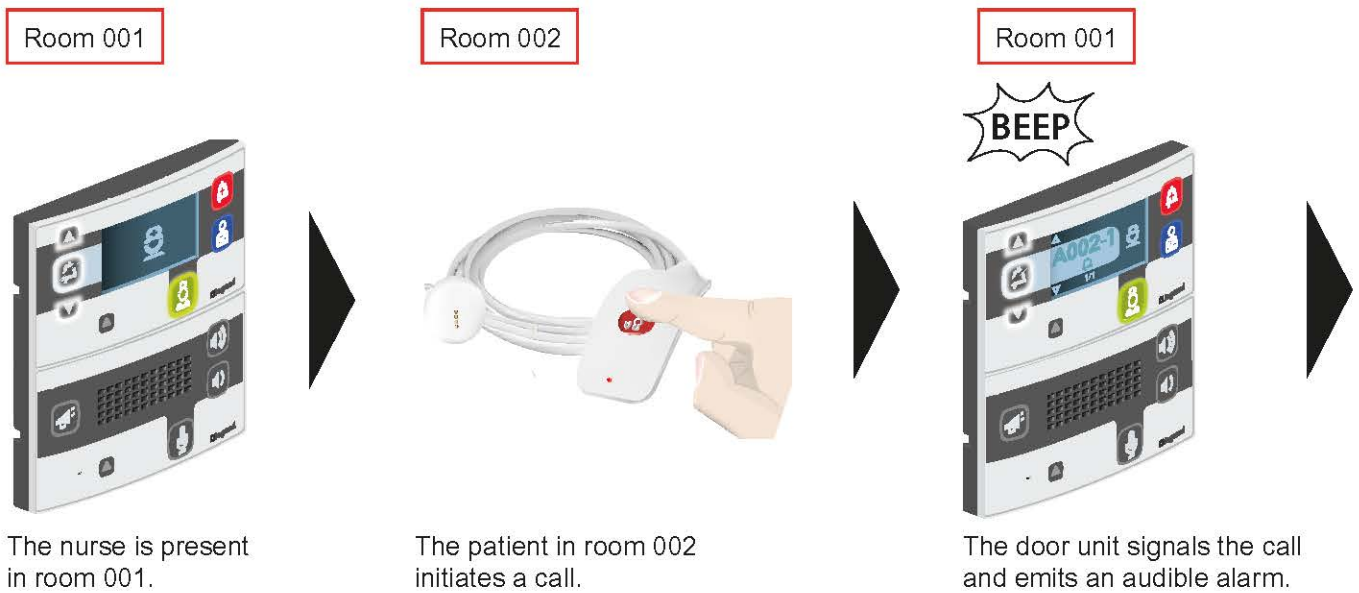
The nurses' station control unit no longer signals this call.

⚠ The system automatically cuts off interphone communication after 1 minute

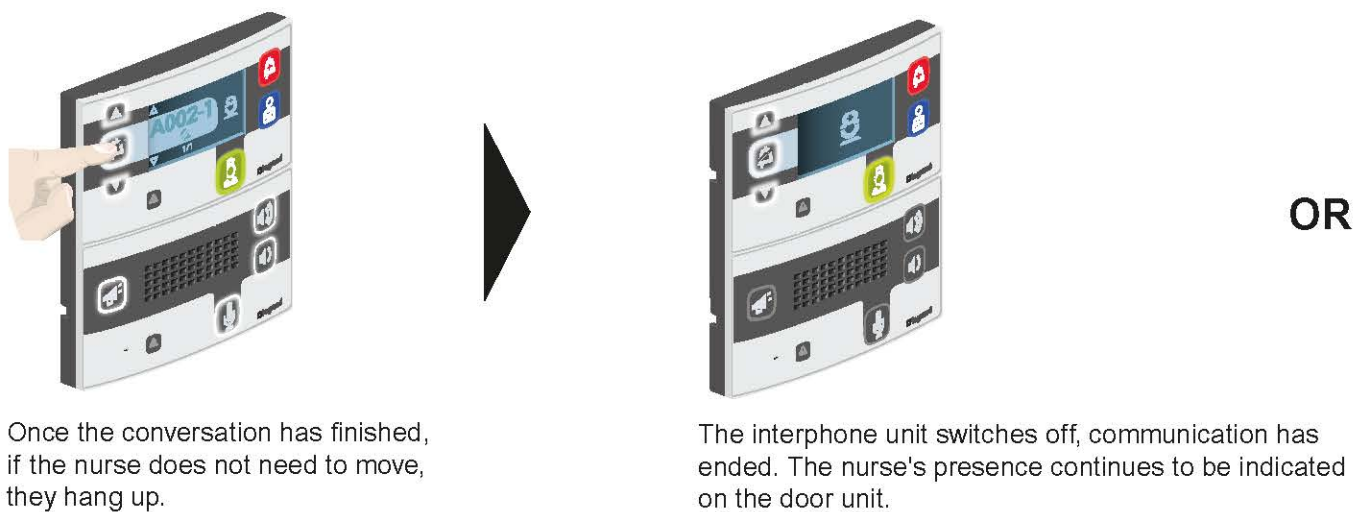
Operating modes (continued)

INTER-ROOM CALL (1)

1- Nurse present in room 1 and call from patient in room 2



2- Nurse hangs up the call





The nurse takes the call.



The nurse makes contact with the patient. The audible alarm is switched off.

2b - End of conversation. The call remains live



Once the conversation has finished, if the nurse needs to go to room 002, they simply cut interphone communication.



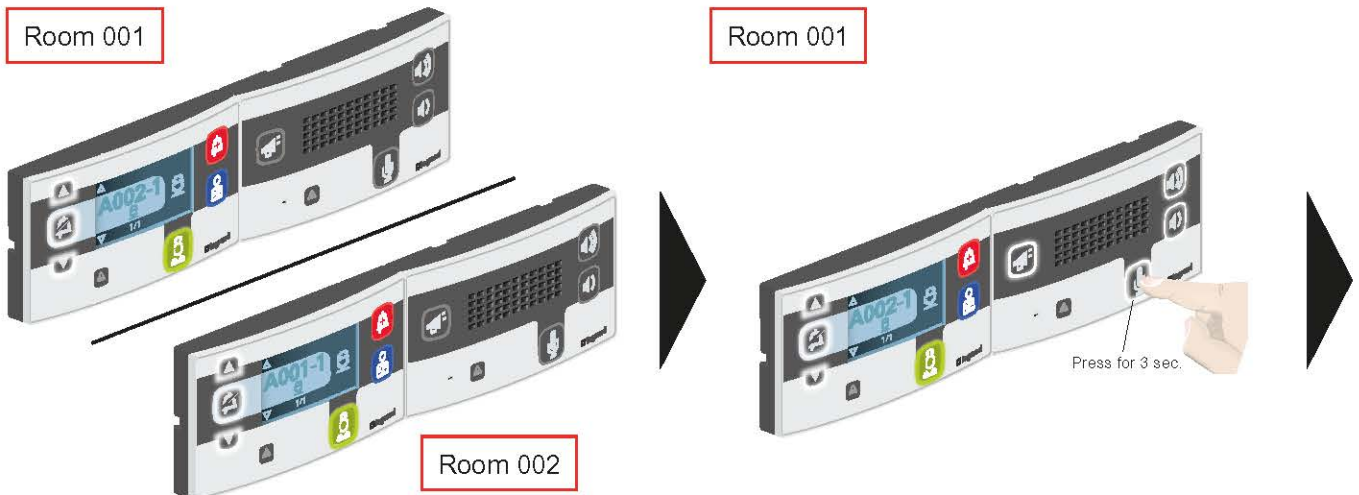
The interphone unit switches off, communication has ended but the nurses' station control unit still signals the call.

The system automatically cuts off interphone communication after 1 minute

Operating modes (continued)

INTER-ROOM CALL (2)

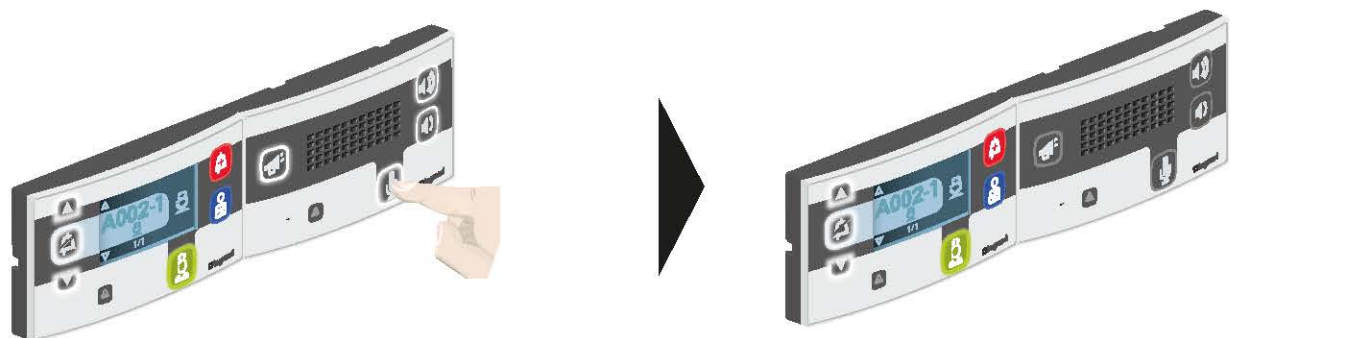
1 - Nurses present simultaneously



Two nurses are present in two different rooms.

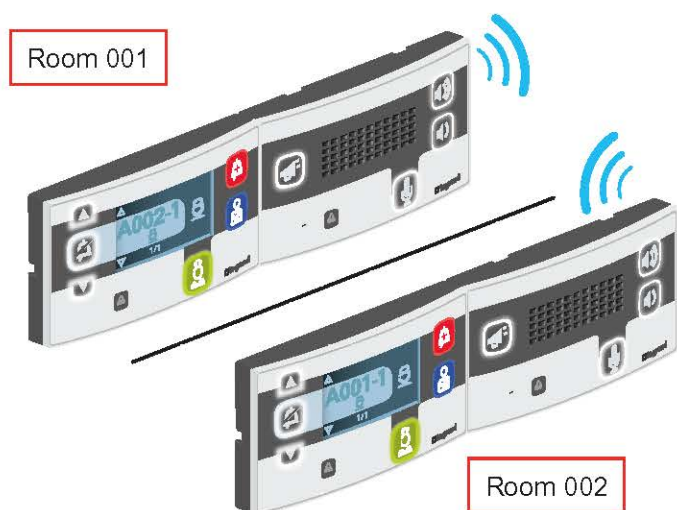
The nurse in room 1 makes contact with the nurse in room 2.

2 - Nurse hangs up the call




Once the conversation has ended, the nurse in room 1 ends communication by pressing the microphone button again.

The interphone units switch off, communication has ended. The presence of nurses continues to be indicated on the door units.



The two nurses can talk to one another.

 The system switches off automatically after 1 minute

Operating modes (continued)

GENERAL CALL

1 - General call from the nurses' station



The nurse initiates a general call from the nurse's station control unit by holding down the megaphone button.

OR 1b - General call from a door unit with a nurse present



The nurse initiates a general call from the door unit by holding down the megaphone button.



All the room door units broadcast the general call.

2 - End of general call



Once the call is complete, the nurse ends communication by releasing the megaphone button.




All the room door units switch off, communication has ended.


































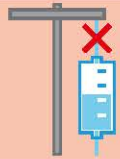














Calls are broadcast from the nurses' control unit to the door unit of all rooms in the ward.

 If the yellow icon only lights up when the megaphone is pressed → check the indicator power supplies. Remember you need one indicator power supply Cat. No. 0 782 90 for 16 rooms.

 The system switches off automatically after 1 minute

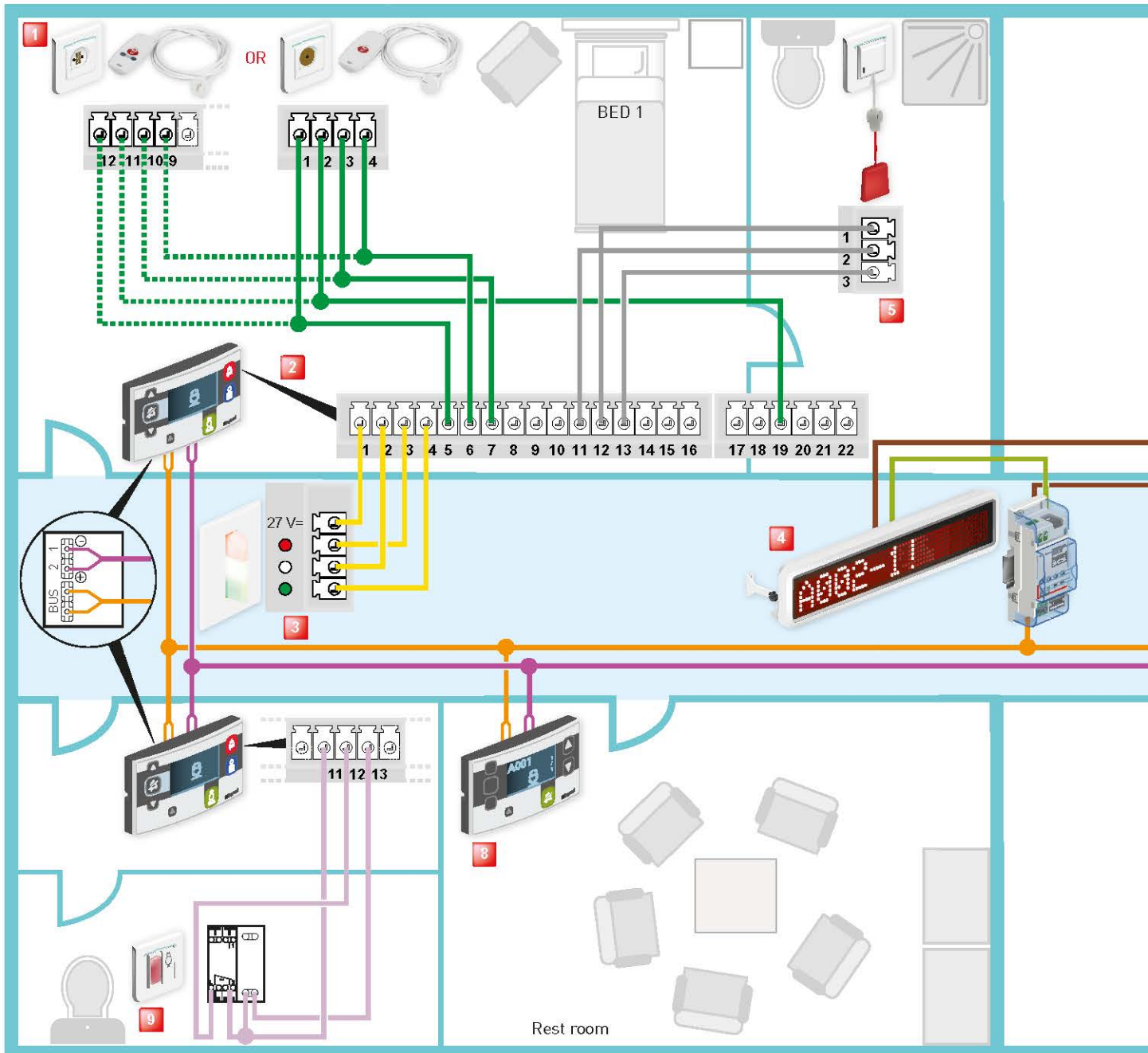
Call urgency/priority levels

PRIORITY	CALL TYPE	CONTROL DEVICE	CORRIDOR OVERDOOR LIGHT UNIT	NURSES' CONTROL UNIT
	Bathroom high-level emergency call (code blue)	 +  + 	 <i>Flashing quickly</i>	
	Room high-level emergency call (code blue)	 +  +  OR  +  + 	 <i>Flashing quickly</i>	 
	Bathroom emergency call (assistance)	 +  + 	 <i>Flashing slowly</i>	
	Room emergency call (assistance)	 +  +  OR  +  + 	 <i>Flashing slowly</i>	 
	Escape alarm	 	 <i>Flashing slowly</i>	
	Biomedical alarm	 OR 	 <i>Flashing slowly</i>	
	Bathroom call			
	Patient room bed 1 call			
	Patient room call			

CORRIDOR DISPLAY UNIT	DOOR UNIT WITH SCREEN	CALL LEVEL	MUTING	PRIORITY
		High-level emergency call 	NO	
			NO	
			NO	
		Emergency call 	NO	
			NO	
			NO	
			NO	
		NO	NO	
		Simple call 	NO	
			YES	
			YES	

Wiring: call + nurse presence + biomedical installation

⚠ Do not fully clip on the door units

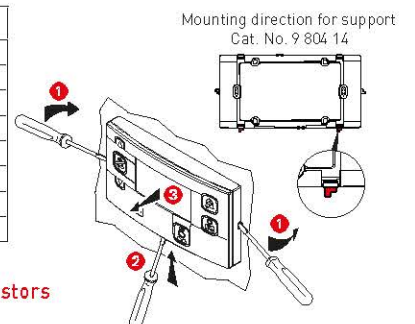


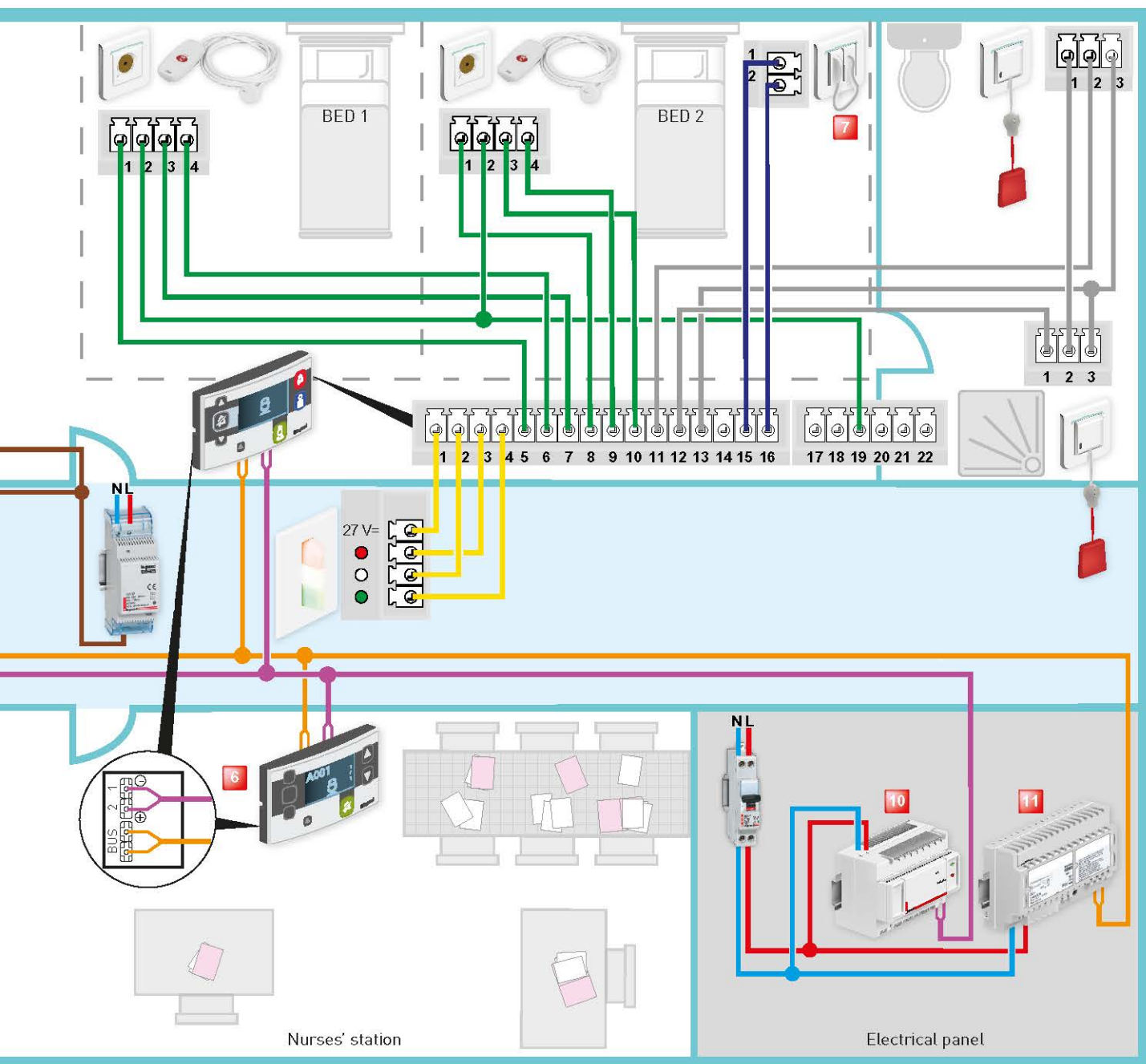
- 1** Socket + hand-held remote control unit for call Cat. Nos. 0 782 45/47 + 0 782 82/84 or socket + hand-held remote control unit for call Cat. Nos. 0 782 41/46L + 0 782 40/81
- 2** Door unit with display unit Cat. Nos. 0 766 07/06

Terminal	Description	Terminal	Description
1	Lamp common	10	Bed 2 hand-held control unit call indicator
2	White lamp	11	Bathroom pull-cord common
3	Red lamp	12	Bathroom pull-cord contact
4	Green lamp	13	Bathroom pull-cord indicator
5	Bed 1 hand-held control unit common	14	Bathroom call acknowledgement button (optional)
6	Bed 1 hand-held control unit call button	15	Biomedical contact common
7	Bed 1 hand-held control unit call indicator	16	Biomedical contact
8	Bed 2 hand-held control unit common	19	Beds 1 and 2 hand-held control unit backlight
9	Bed 2 hand-held control unit call button		

If monitor lights or overdoor light units are not being used, replace them with 100 k Ω /0.25 W resistors
 If the call contact is not being used, short-circuit the corresponding terminals

Removing the door unit





- 3** Monobloc corridor overdoor unit
Cat. No. 0 766 70
- 4** Corridor display unit Cat. No. 0 766 04
with interface and power supply
- 5** Bathroom call pull-cord Cat. No. 0 782 48L

- 6** Main nurses' control unit Cat. No. 0 766 11
- 7** Biomedical alarm Cat. Nos. 0 771 50 + 0 782 07
- 8** Secondary nurses' control unit Cat. No. 0 766 09

- 9** Call unit Cat. No. 0 766 85L
- 10** Indicator power supply
Cat. No. 0 782 90
- 11** BUS/SCS power supply
Cat. No. 0 035 60 or E46ADCN

- 1 pair 0.9 mm² polarised SYT or AWG indicator
- 1 pair Cat. No. 0 492 33 non-polarised

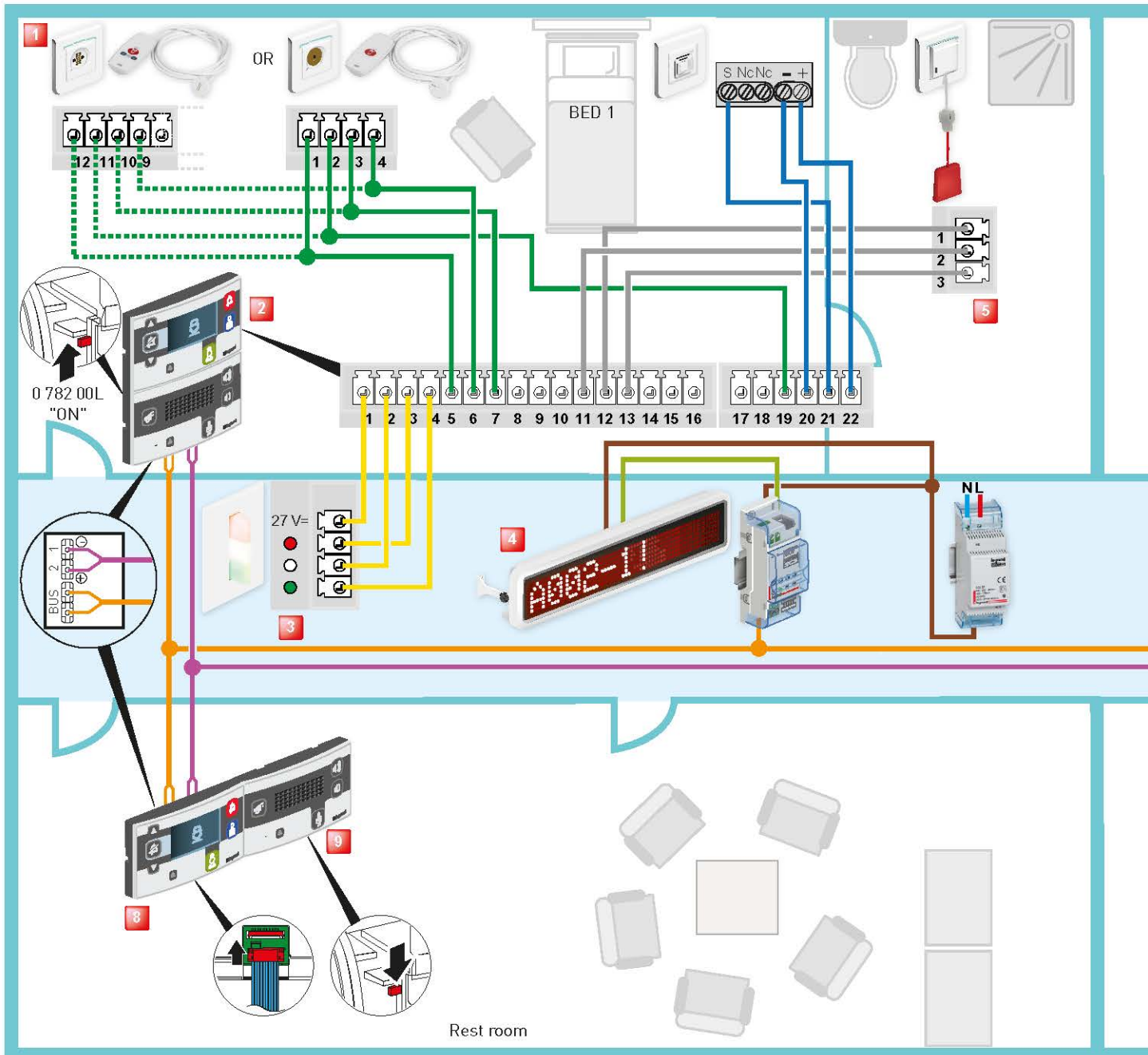
- Indicator power supply cable 2 x 0.9 SYT or 2 x 1 mm² or 1 pair AWG19 or AWG18

- Supplied with the product

Star wiring recommended

Wiring: call + nurse presence + biomedical installation

⚠ Do not fully clip on the door units



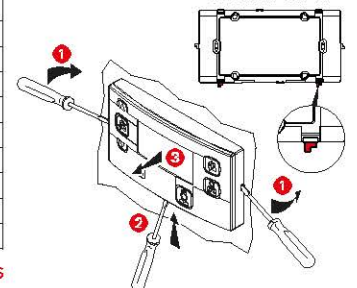
- 1** Socket + hand-held remote control unit for call Cat. Nos. 0 782 45/47 + 0 782 82/84 or socket + hand-held remote control unit for call Cat. Nos. 0 782 41/46L + 0 782 40/81
- 2** Door unit with display unit Cat. Nos. 0 766 07/06

Terminal	Description	Terminal	Description
1	Lamp common	10	Bed 2 hand-held control unit call indicator
2	White lamp	11	Bathroom pull-cord common
3	Red lamp	12	Bathroom pull-cord contact
4	Green lamp	13	Bathroom pull-cord indicator
5	Bed 1 hand-held control unit common	14	Bathroom call acknowledgement button (optional)
6	Bed 1 hand-held control unit call button	15	Biomedical contact common
7	Bed 1 hand-held control unit call indicator	16	Biomedical contact
8	Bed 2 hand-held control unit common	19	Beds 1 and 2 hand-held control unit backlight
9	Bed 2 hand-held control unit call button	20	Microphone earth
		21	Microphone input
		22	Microphone + 27V

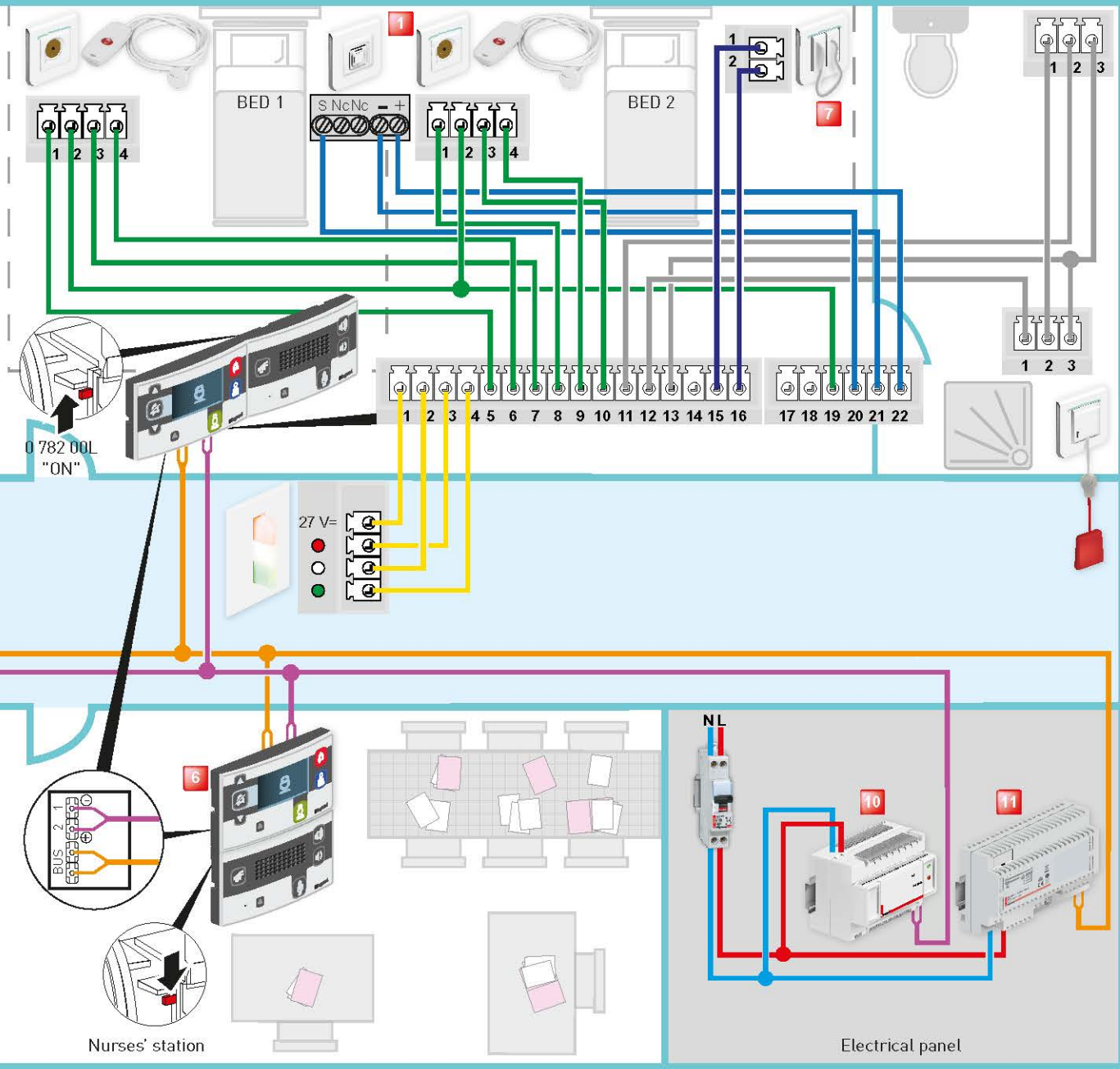
If monitor lights or overdoor light units are not being used, replace them with 100 k Ω /0.25 W resistors
 If the call contact is not being used, short-circuit the corresponding terminals

Removing the door unit

Mounting direction for support
 Cat. No. 9 804 14



with interphone



- | | | |
|---|---|---|
| 3 Monobloc corridor overdoor unit
Cat. No. 0 766 70 | 6 Main nurses' control unit Cat. No. 0 766 11 | 9 Interphone unit Cat. No. 0 766 08 |
| 4 Corridor display unit Cat. No. 0 766 04
with interface and power supply | 7 Biomedical alarm Cat. Nos. 0 771 50 + 0 782 07 | 10 Indicator power supply
Cat. No. 0 782 90 |
| 5 Bathroom call pull-cord Cat. No. 0 782 48L | 8 Secondary nurses' control unit Cat. No. 0 766 09 | 11 BUS/SCS power supply
Cat. No. 0 634 35 or 346000 |

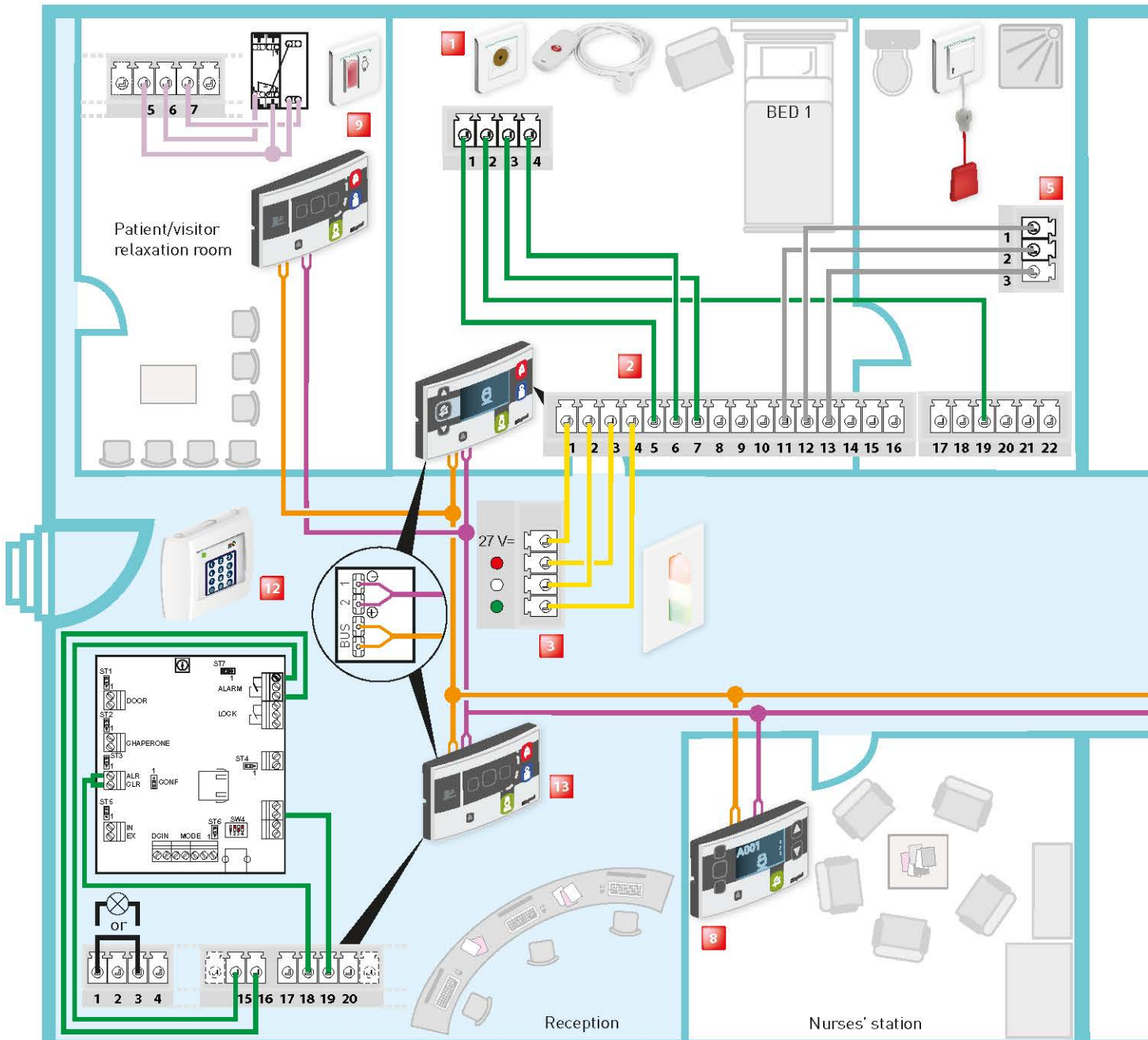
- | | | |
|--|--|---------------------------------------|
| 1 pair 0.9 mm ² polarised SYT
or AWG indicator | Indicator power supply cable 2 x 0.9 SYT
or 2 x 1 mm ² or 1 pair AWG19
or AWG18 | Supplied with the product
or AWG18 |
| 1 pair Cat. No. 0 492 33 non-polarised | | |

Star wiring recommended

! In the interphone version, the bus power supply must be used, Cat. Nos. 0 634 35/346000

Wiring: secure wandering installation with call

⚠ Do not fully clip on the door units



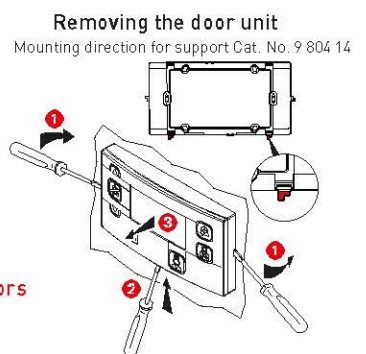
- 1** Socket + hand-held remote control unit for call
Cat. Nos. 0 782 45/47L + 0 782 82/84 or socket + hand-held
remote control unit for call Cat. Nos. 0 782 41/46L + 0 782 40/81
- 2** Door unit with display unit Cat. Nos. 0 766 07/06

- 3** Monobloc corridor
overdoor unit
Cat. No. 0 766 70

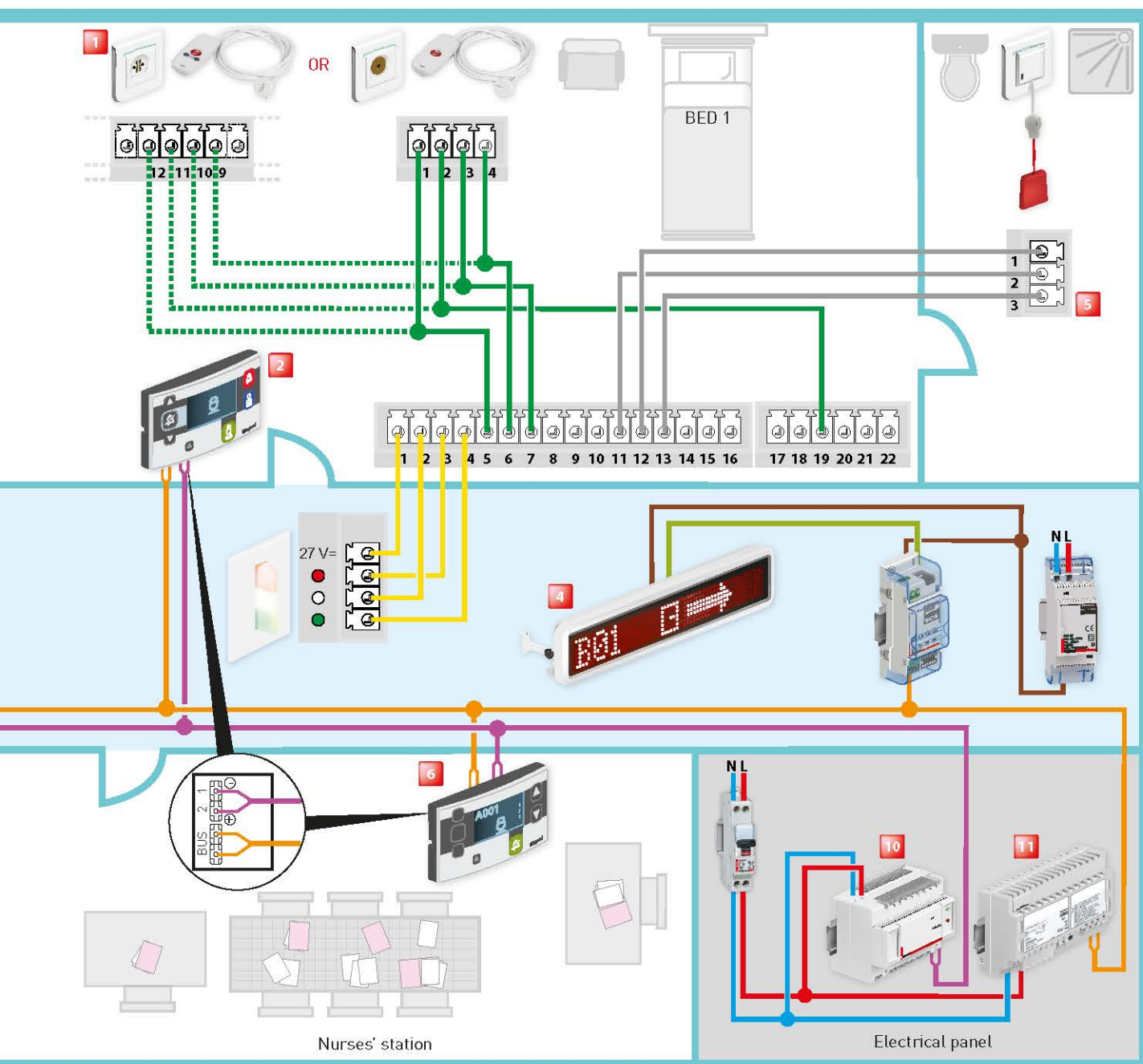
- 4** Corridor display unit Cat. No. 0 766 04
with interface and power supply
- 5** Bathroom call pull-cord Cat. No. 0 782 48L

Terminal	Description	Terminal	Description
1	Lamp common	10	Bed 2 hand-held control unit call indicator
2	White lamp	11	Bathroom pull-cord common
3	Red lamp	12	Bathroom pull-cord contact
4	Green lamp	13	Bathroom pull-cord indicator
5	Bed 1 hand-held control unit common	14	Bathroom call acknowledgement button (optional)
6	Bed 1 hand-held control unit call button	15	Biomedical contact common
7	Bed 1 hand-held control unit call indicator	16	Biomedical contact
8	Bed 2 hand-held control unit common	19	Beds 1 and 2 hand-held control unit backlight
9	Bed 2 hand-held control unit call button		

If monitor lights or overdoor light units are not being used, replace them with 100 k Ω /0.25 W resistors
If the call contact is not being used, short-circuit the corresponding terminals



+ nurse presence



6 Main nurses' control unit Cat. No. 0 766 11

7 Biomedical alarm Cat. Nos. 0 771 50 + 0 782 07

8 Secondary nurses' control unit Cat. No. 0 766 09

— 1 pair 0.9 mm² polarised SYT or AWG indicator

— 1 pair Cat. No. 0 492 33 non-polarised

Star wiring recommended

9 Nurse call unit for visitors Cat. No. 0 766 85L

10 Indicator power supply Cat. No. 0 782 90

11 BUS/SCS power supply Cat. No. 0 035 60 or E46ADCN

— } Indicator power supply cable 2 x 0.9 SYT or 2 x 1 mm² or 1 pair AWG19 or AWG18

— } Supplied with the product

12 Door controller Cat. No. 0 766 22 (See instructions for completing the wiring and associated guide)

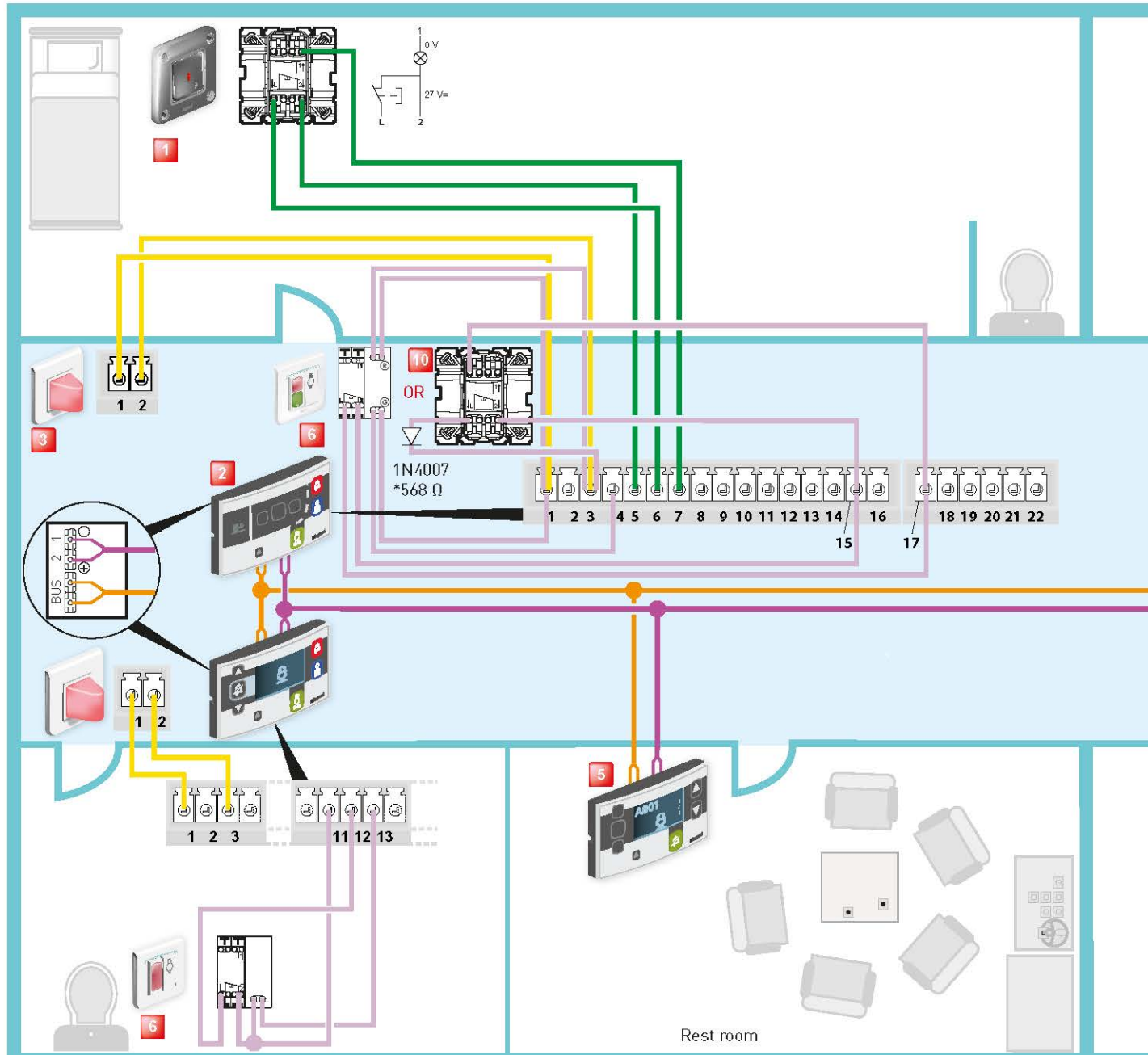
13 Door unit with indicators Cat. No. 0 766 06 (M1=8 operation in secure wandering mode)

Terminal	Description
15	Contact common
16	Contact closed
18	Acknowledgement
19	Earth

Short-circuit the terminals between 1 and 3 if overdoor light unit 0 766 71L is not used

Wiring: penal/psychiatric institution call installation

⚠ Do not fully clip on the door units



1 High-resistance call unit Cat. No. 0 782 51

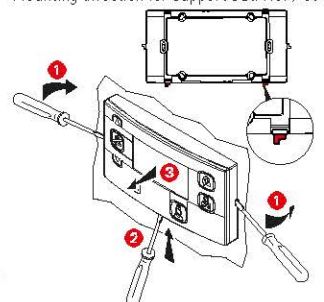
2 Door unit Cat. No. 0 766 06

Terminal	Description	Terminal	Description
1	Lamp common + 24 V	10	Push-button 2 call indicator
2	White lamp	11	Bathroom pull-cord common
3	Red lamp	12	Bathroom pull-cord contact
4	Green lamp	13	Bathroom pull-cord indicator
5	Push-button 1 common	14	Bathroom call acknowledgement button (optional)
6	Push-button 1 call button	15	Biomedical contact common/ acknowledgement button + 24 V
7	Push-button 1 call indicator		
8	Push-button 2 common	16	Biomedical contact
9	Push-button 2 call button	17	Remote acknowledgement push-button

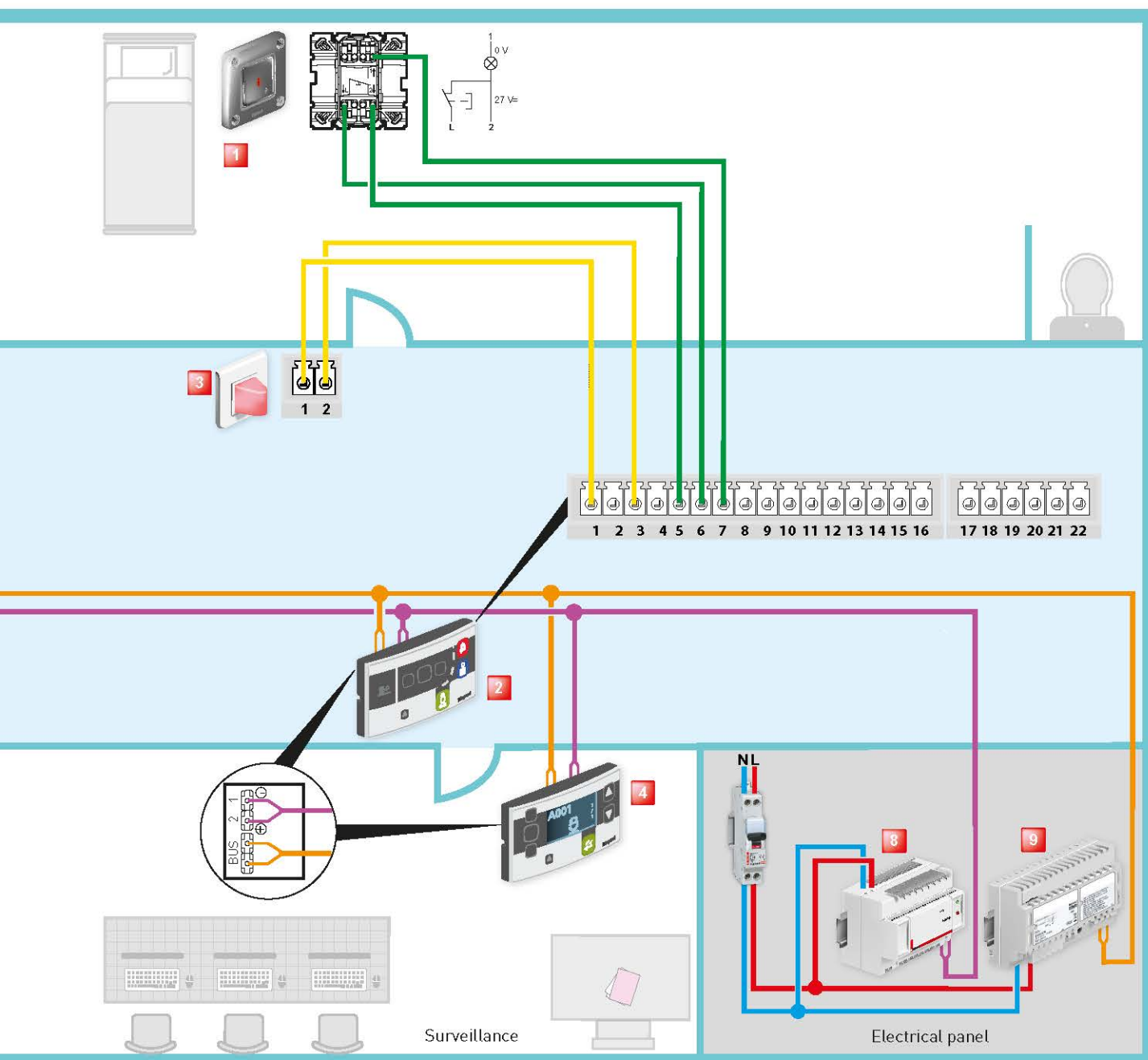
If monitor lights or overdoor light units are not being used, replace them with 100 kΩ / 0.25 W resistors
If the call contact is not being used, short-circuit the corresponding terminals

Removing the door unit

Mounting direction for support Cat. No. 9 804 14



with remote acknowledgement by Mosaic push-button or Soliroc push-button

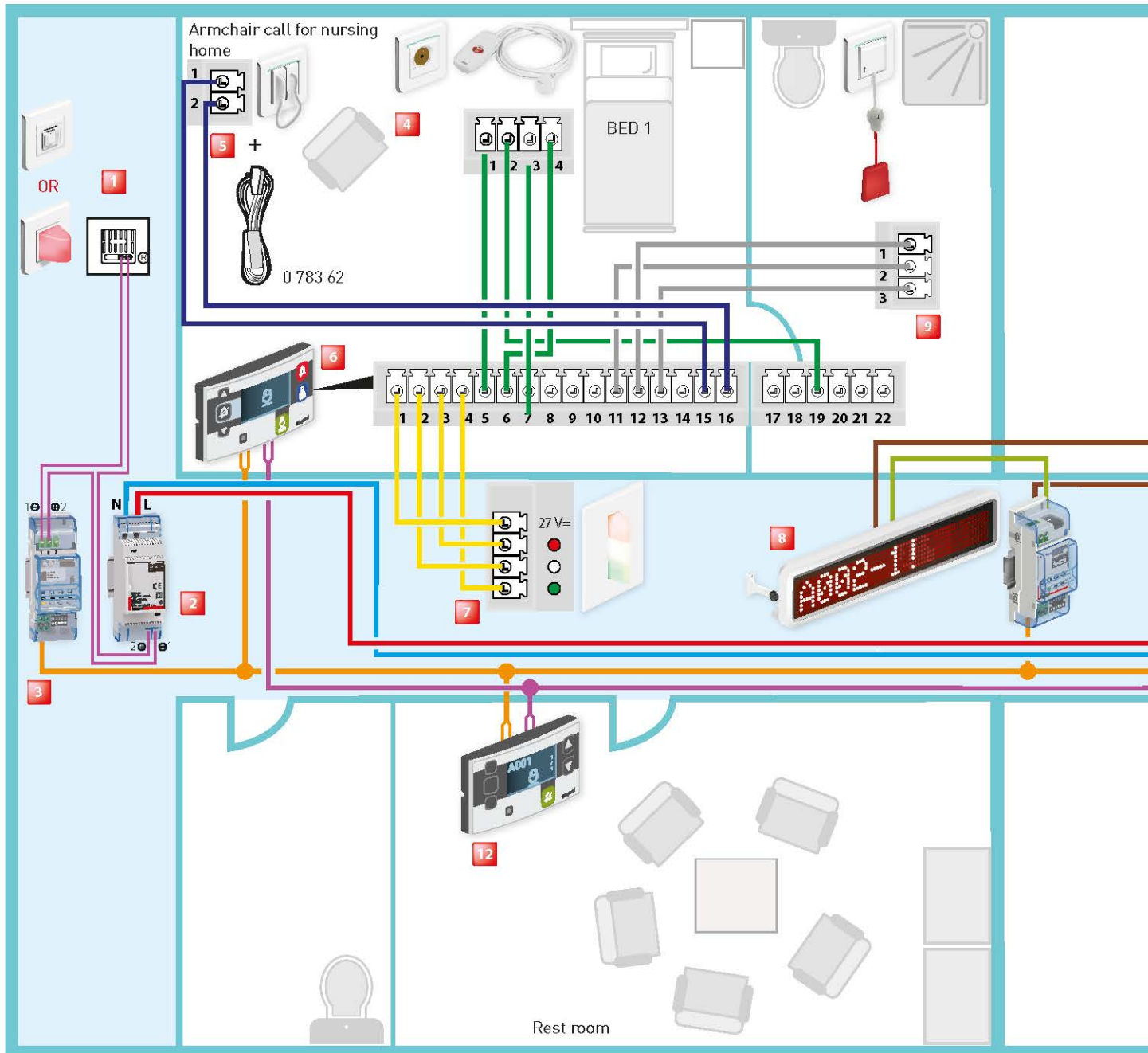


- 3** Monobloc corridor overdoor unit Cat. No. 0 766 71L
- 4** Main surveillance control unit Cat. No. 0 766 11
- 5** Secondary surveillance control unit Cat. No. 0 766 09
- 6** Door unit Cat. No. 0 782 04L
- 7** Door controller for centralised readers Cat. No. 0 767 04
- 8** Indicator power supply Cat. No. 0 782 90
- 9** BUS/SCS power supply Cat. No. 0 035 60 or E46ADCN
- 10** Remote acknowledgement button Cat. No. 0 782 51

- 1 pair 0.9 mm² polarised SYT or AWG indicator
- 1 pair Cat. No. 0 492 33 non-polarised
- Indicator power supply cable 2 x 0.9 SYT or 2 x 1 mm² or 1 pair AWG19 or AWG18

Wiring: call + nurse presence + armchair call installation

⚠ Do not fully clip on the door units



1 Electronic buzzer Cat. No. 0 766 42 or Call only corridor overdoor light unit Cat. No. 0 766 71L

5 Information feedback interface Cat. No. 0 766 78

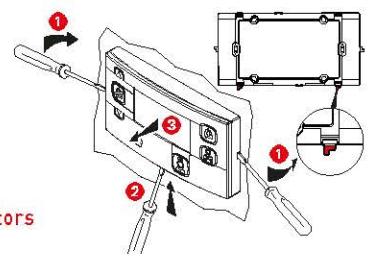
2 Auxiliary power supply Cat. No. 0 035 67

4 Socket + hand-held remote control unit for call Cat. Nos. 0 782 41/46L + 0 782 40/81

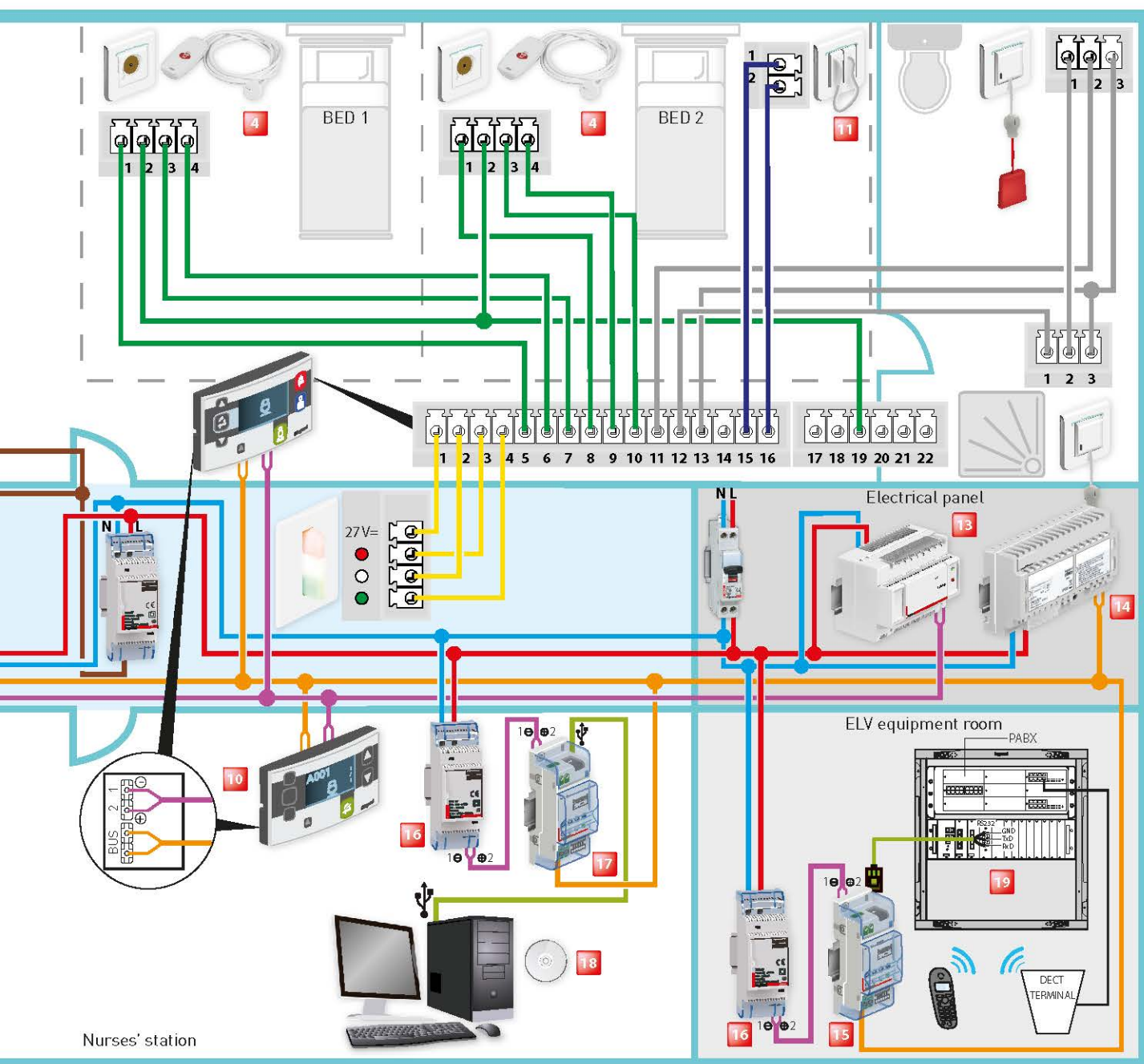
Terminal	Description	Terminal	Description
1	Lamp common	10	Bed 2 hand-held control unit call indicator
2	White lamp	11	Bathroom pull-cord common
3	Red lamp	12	Bathroom pull-cord contact
4	Green lamp	13	Bathroom pull-cord indicator
5	Bed 1 hand-held control unit common	14	Bathroom call acknowledgement button (optional)
6	Bed 1 hand-held control unit call button	15	Biomedical contact common
7	Bed 1 hand-held control unit call indicator	16	Biomedical contact
8	Bed 2 hand-held control unit common	19	Beds 1 and 2 hand-held control unit backlight
9	Bed 2 hand-held control unit call button		

If monitor lights or overdoor light units are not being used, replace them with 100 k Ω /0.25 W resistors
If the call contact is not being used, short-circuit the corresponding terminals

Removing the door unit
Mounting direction for support Cat. No. 9 804 14



+ biomedical + information feedback + traceability interface + DECT interface



Nurses' station

- | | | |
|---|---|---|
| <p>5 Armchair call for nursing home Cat. Nos. 0 771 50 + 0 782 07 + push-button cord 0 783 62</p> <p>6 Door unit with display unit Cat. Nos. 0 766 07/06</p> <p>7 Monobloc corridor overdoor unit Cat. No. 0 766 70</p> <p>8 Corridor display unit Cat. No. 0 766 04 with interface and power supply</p> <p>9 Bathroom call pull-cord Cat. No. 0 782 48L</p> | <p>10 Main nurses' control unit Cat. No. 0 766 11</p> <p>11 Biomedical alarm Cat. Nos. 0 771 50 + 0 782 07</p> <p>12 Secondary nurses' control unit Cat. No. 0 766 09</p> <p>13 Indicator power supply Cat. No. 0 782 90</p> <p>14 BUS/SCS power supply Cat. No. 0 035 60 or E46ADCN</p> | <p>15 DECT interface Cat. No. 0 766 19</p> <p>16 Auxiliary power supply Cat. No. 0 035 67</p> <p>17 Traceability interface Cat. No. 0 766 17</p> <p>18 Traceability software Cat. No. 0 766 18</p> <p>19 Telephone coupler (telephony package)</p> |
|---|---|---|

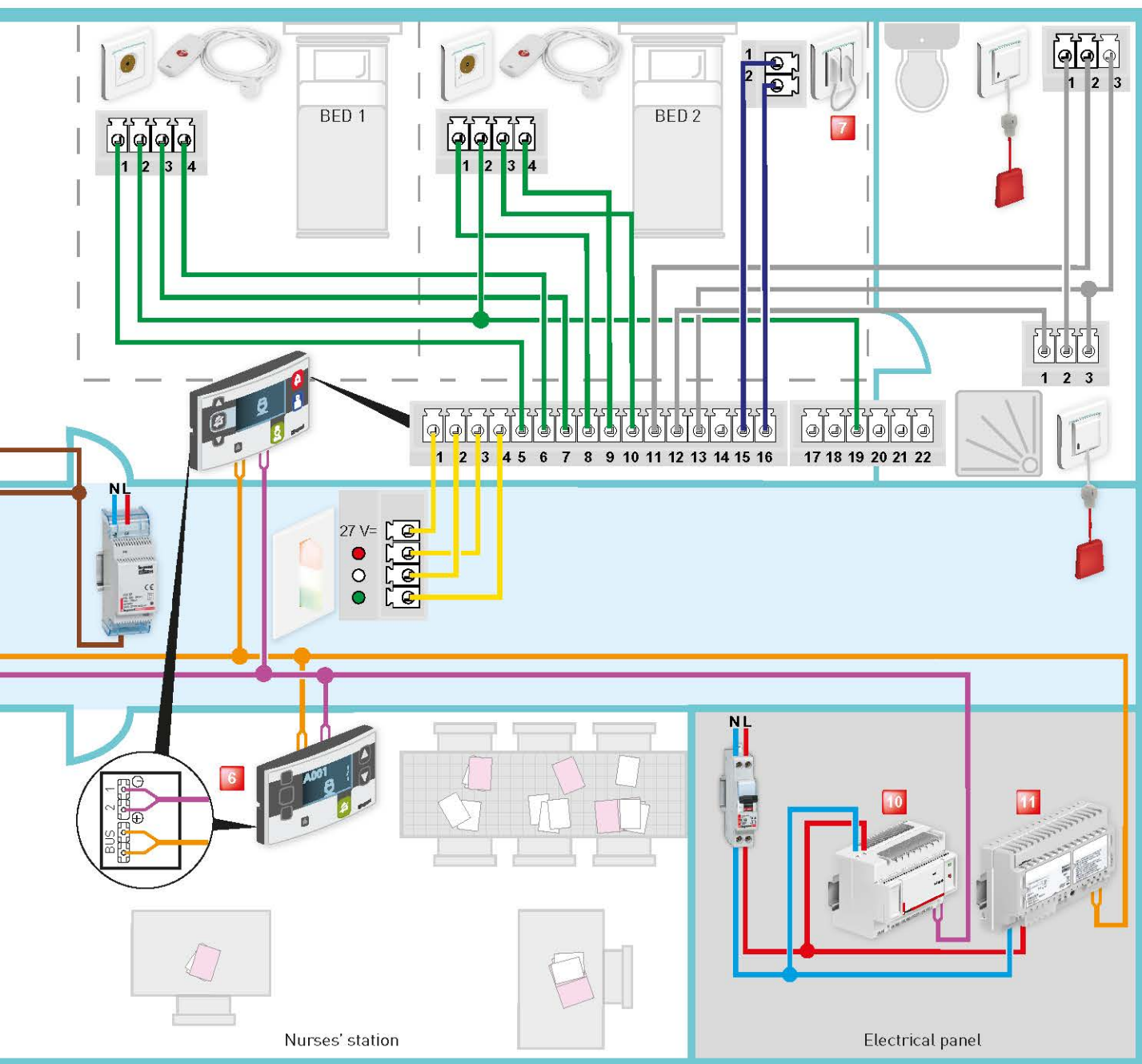
- 1 pair 0.9 mm² polarised SYT or AWG indicator
- 1 pair Cat. No. 0 492 33 non-polarised

- Indicator power supply cable 2 x 0.9 SYT or 2 x 1 mm² or 1 pair AWG19 or AWG18

- Supplied with the product

Star wiring recommended

remote control unit to be removed



- | | | |
|---|---|--|
| 3 Monobloc corridor overdoor unit
Cat. No. 0 766 70 | 6 Main nurses' control unit Cat. No. 0 766 11 | 9 Call unit Cat. No. 0 766 85L |
| 4 Corridor display unit Cat. No. 0 766 04
with interface and power supply | 7 Biomedical alarm Cat. Nos. 0 771 50 + 0 782 07 | 10 Indicator power supply
Cat. No. 0 782 90 |
| 5 Bathroom call pull-cord Cat. No. 0 782 48L | 8 Secondary nurses' control unit Cat. No. 0 766 09 | 11 BUS/SCS power supply
Cat. No. 0 035 60 or E46ADCN |
| | | 12 Keyswitch with 2 NO contacts
Cat. No. 0 770 74 |

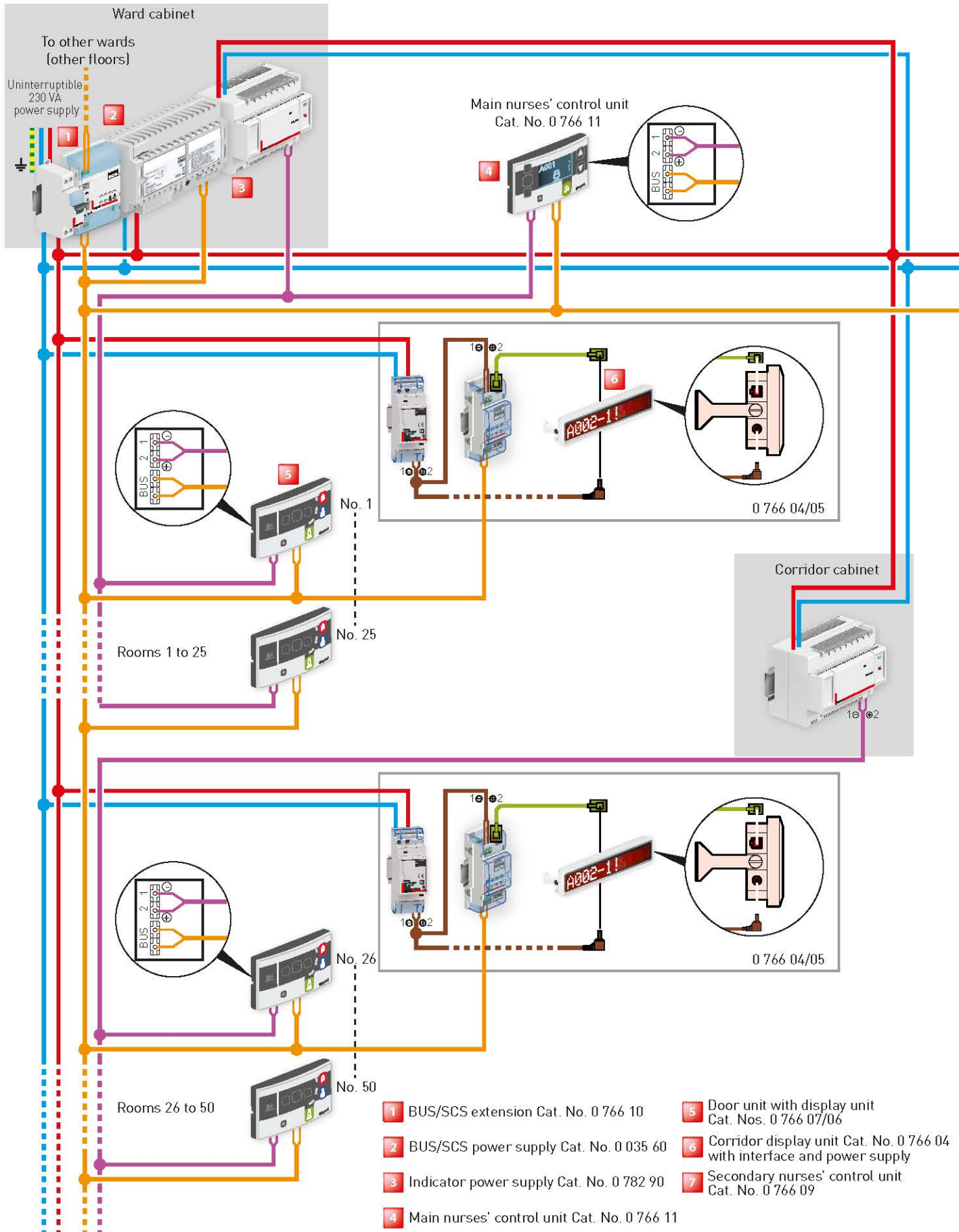
- 1 pair 0.9 mm² polarised SYT or AWG indicator
- 1 pair Cat. No. 0 492 33 non-polarised

- } Indicator power supply cable 2 x 0.9 SYT or 2 x 1 mm² or 1 pair AWG19 or AWG18

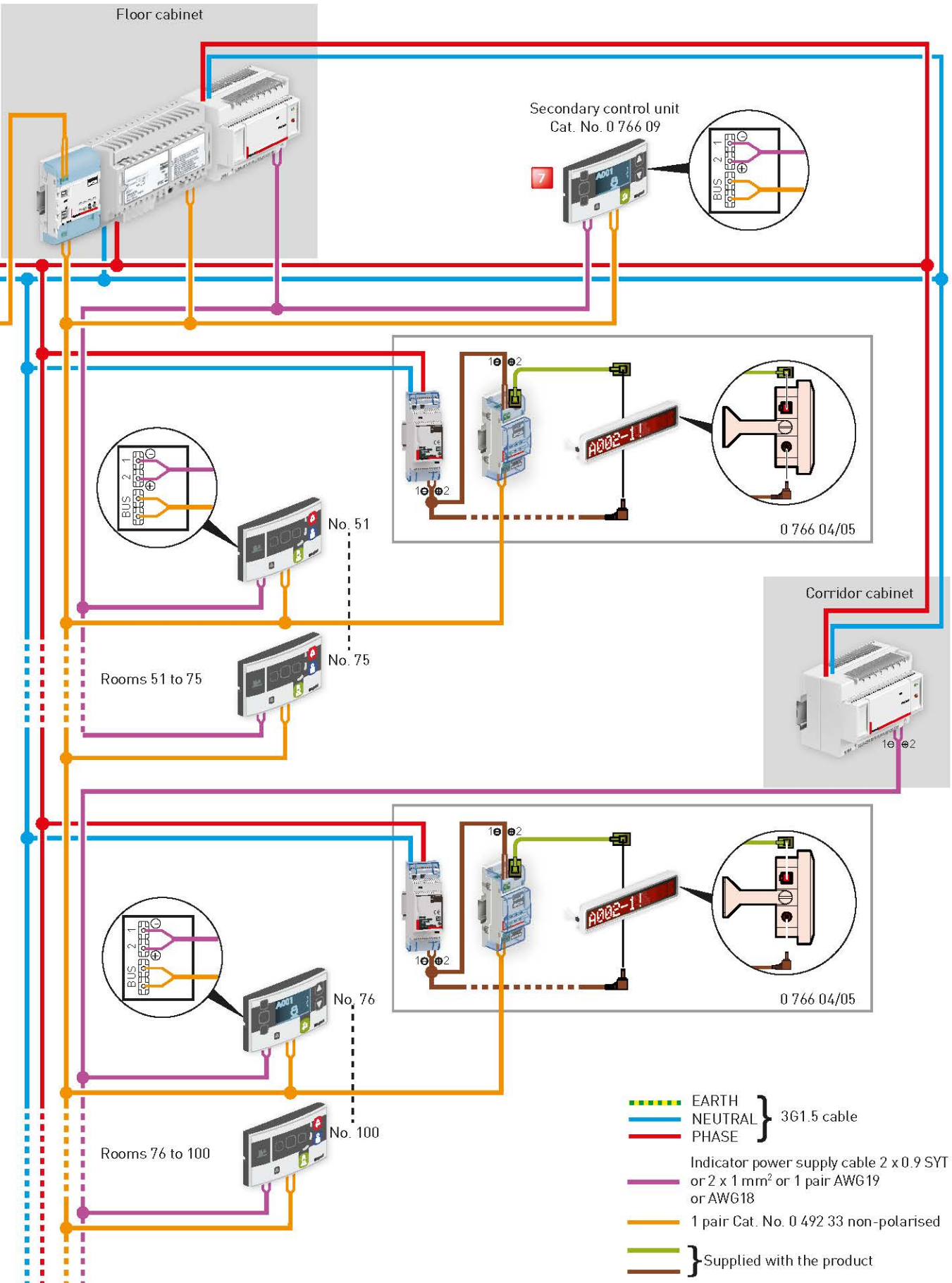
- } Supplied with the product

Star wiring recommended

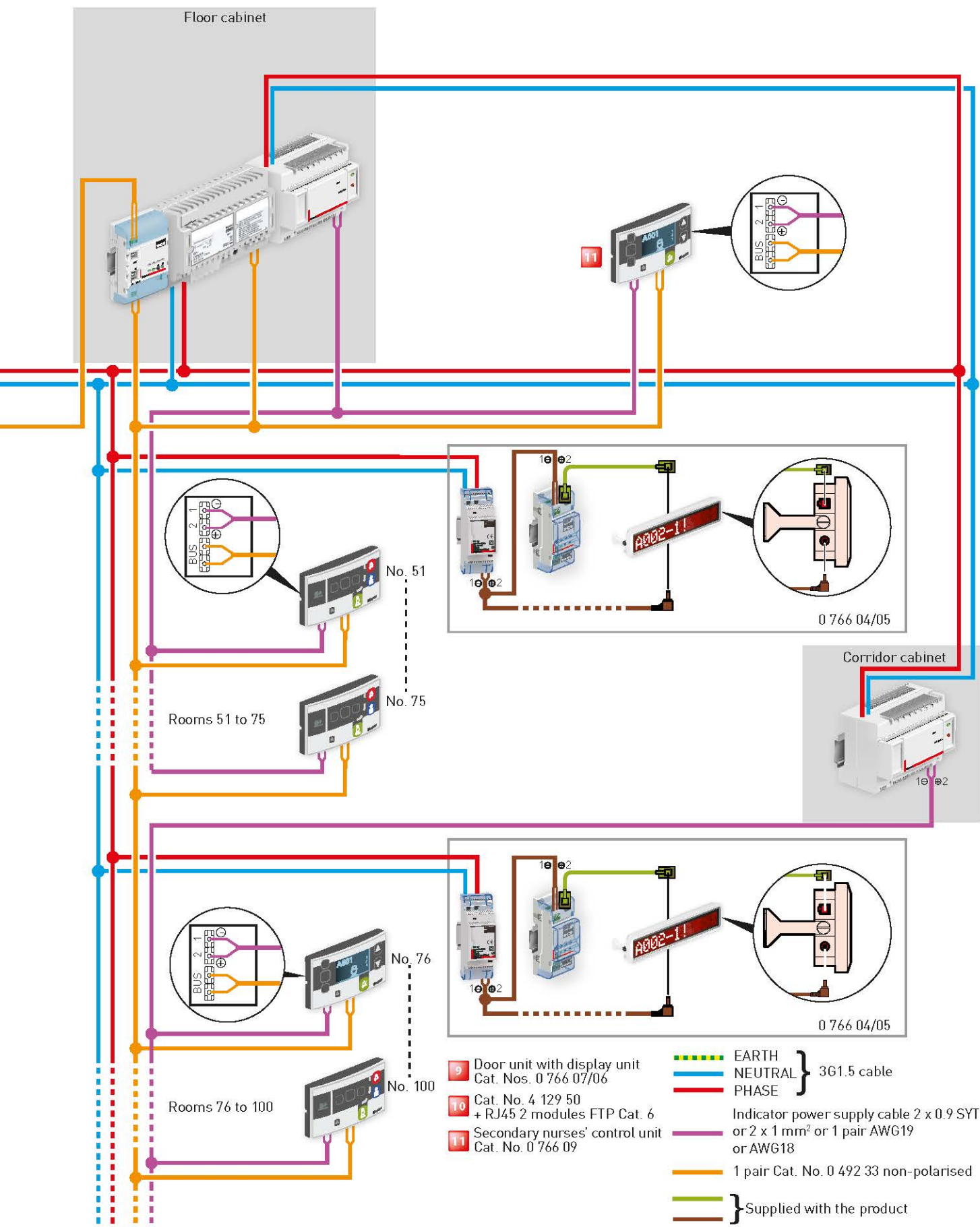
Wiring: 230 V cable and BUS cables (SCS + indicators)



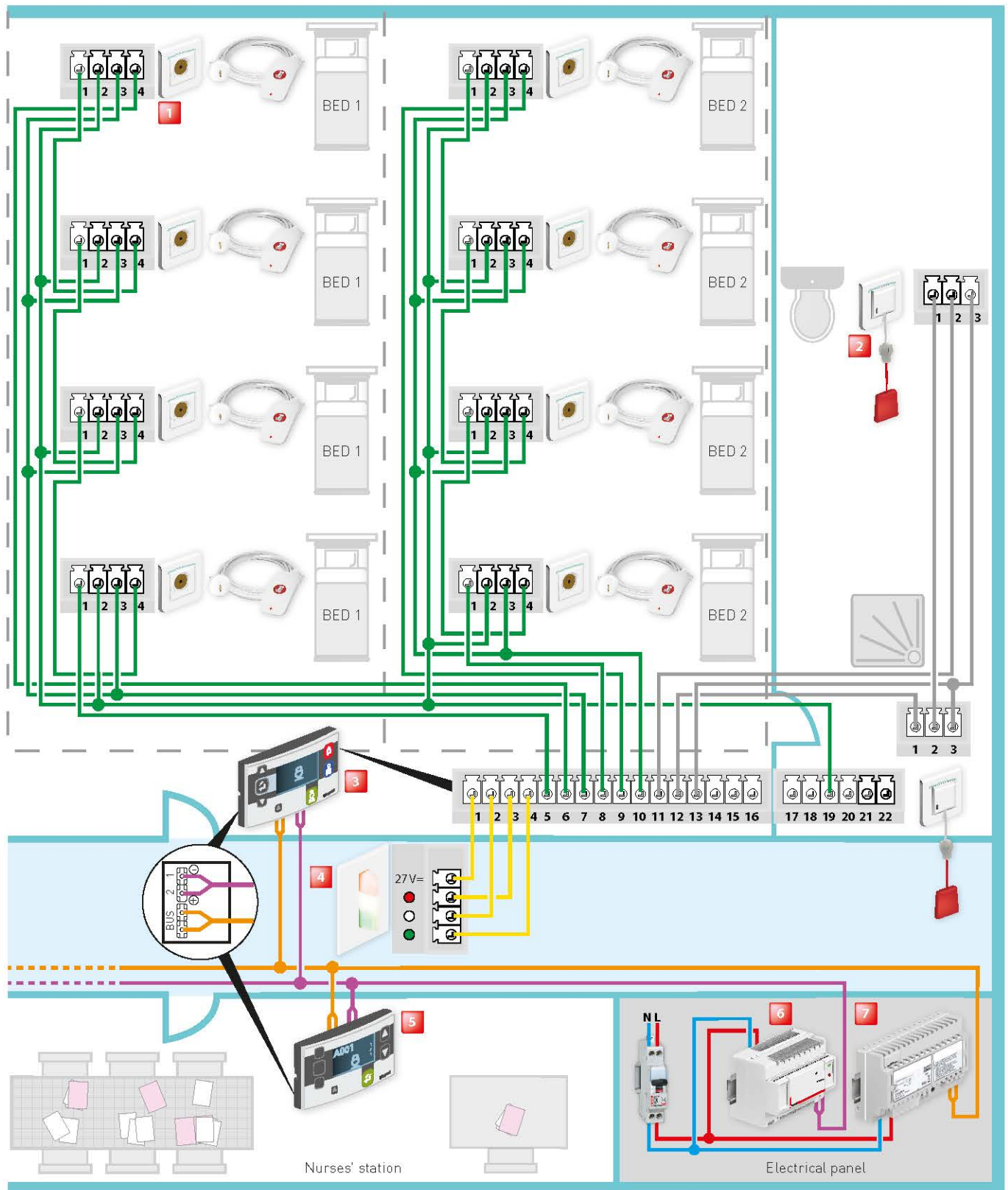
installed in corridors of up to 100 rooms



installed in corridors + DECT interface and RS232/IP interface



Wiring: rooms of up to 8 beds without bed identification



1 Socket + hand-held remote control unit for calls Cat. Nos. 0 782 41/46L + 0 782 40 or 0 782 45/47L + 0 782 42/44

3 Door unit with display unit Cat. Nos. 0 766 07/06

6 Indicator power supply Cat. No. 0 782 90

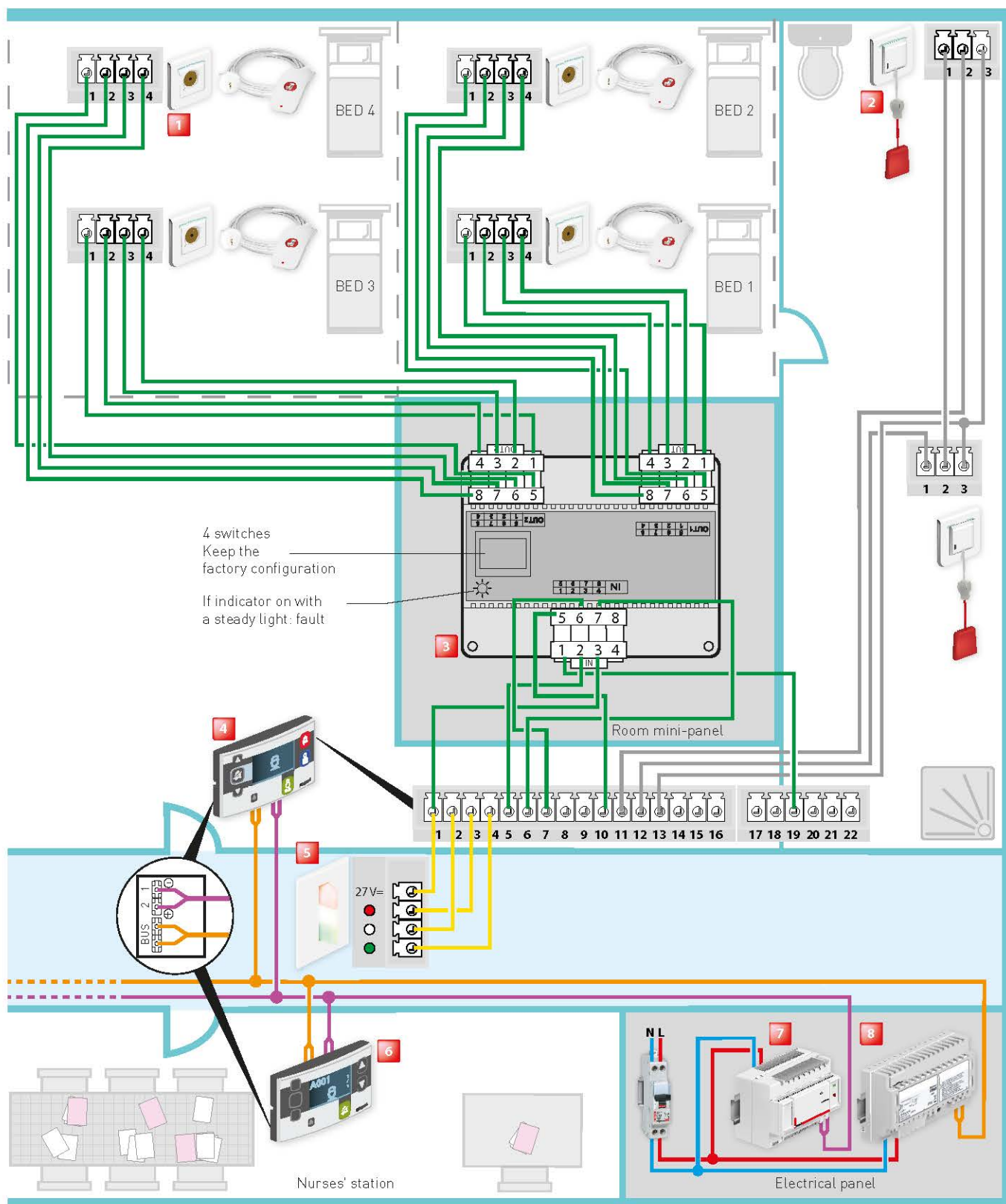
2 Bathroom call pull-cord Cat. No. 0 782 48L

4 Monobloc corridor overdoor light Cat. No. 0 766 70

7 BUS/SCS power supply Cat. No. 0 035 60 or E46ADCN

5 Main nurses' control unit Cat. No. 0 766 11 — 2 x 2 x 0.9 mm²

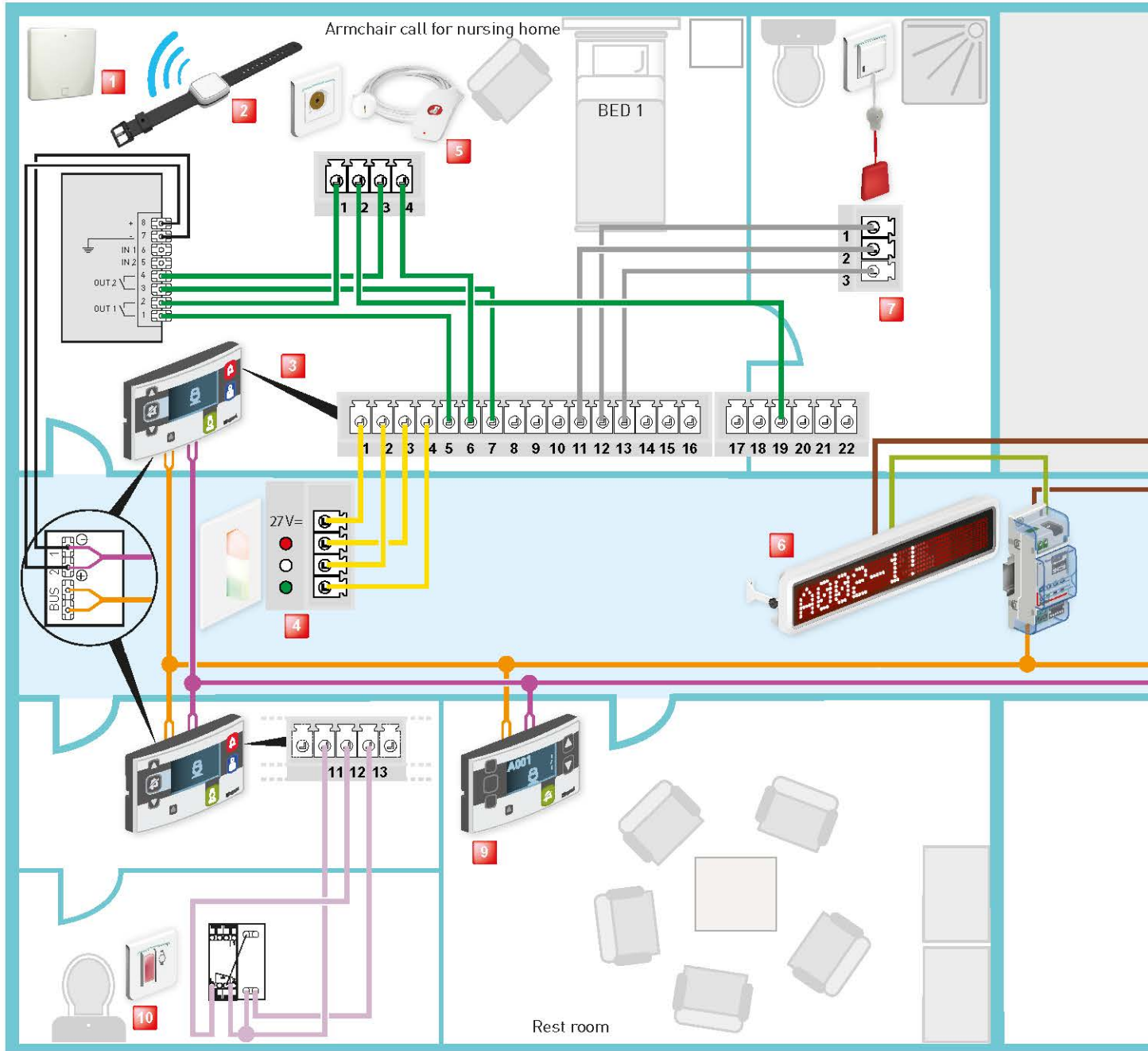
Wiring: rooms of up to 4 beds with bed identification



- 1** Socket + hand-held remote control unit for calls Cat. Nos. 0 782 41/46L + 0 782 40 or 0 782 45/47L + 0 782 42/44
 - 2** Bathroom call pull-cord Cat. No. 0 782 48L
 - 3** Bed extension Cat. No. 0 782 19 for door units Cat. Nos. 0 766 06/07
 - 4** Monobloc corridor overdoor light Cat. No. 0 766 70
 - 5** Main nurses' control unit Cat. No. 0 766 11
 - 6** Indicator power supply Cat. No. 0 782 90
 - 7** BUS/SCS power supply Cat. No. 0 035 60 or E46ADCN
 - 8** Main nurses' control unit Cat. No. 0 766 11
- Indicator power supply cable 2 x 0.9 SYT or 2 x 1 mm² or 1 pair AWG19 or AWG18

Wiring: Call + nurse presence installation with radio

⚠ Do not fully clip on the door units



1 Radio receiver Cat. No. 51VXNE1011013-01 for personal radio transmitters

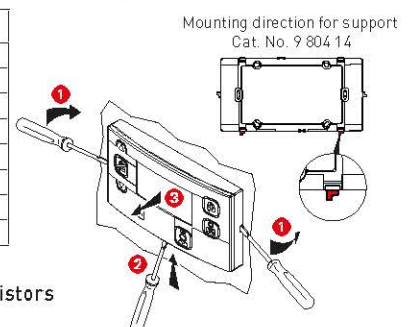
2 Personal trigger Cat. No. 51VXNE1014002-02 or 51VXNE16001-01

3 Door unit with display unit Cat. Nos. 0 766 07/06

4 Monobloc corridor overdoor light Cat. No. 0 766 70

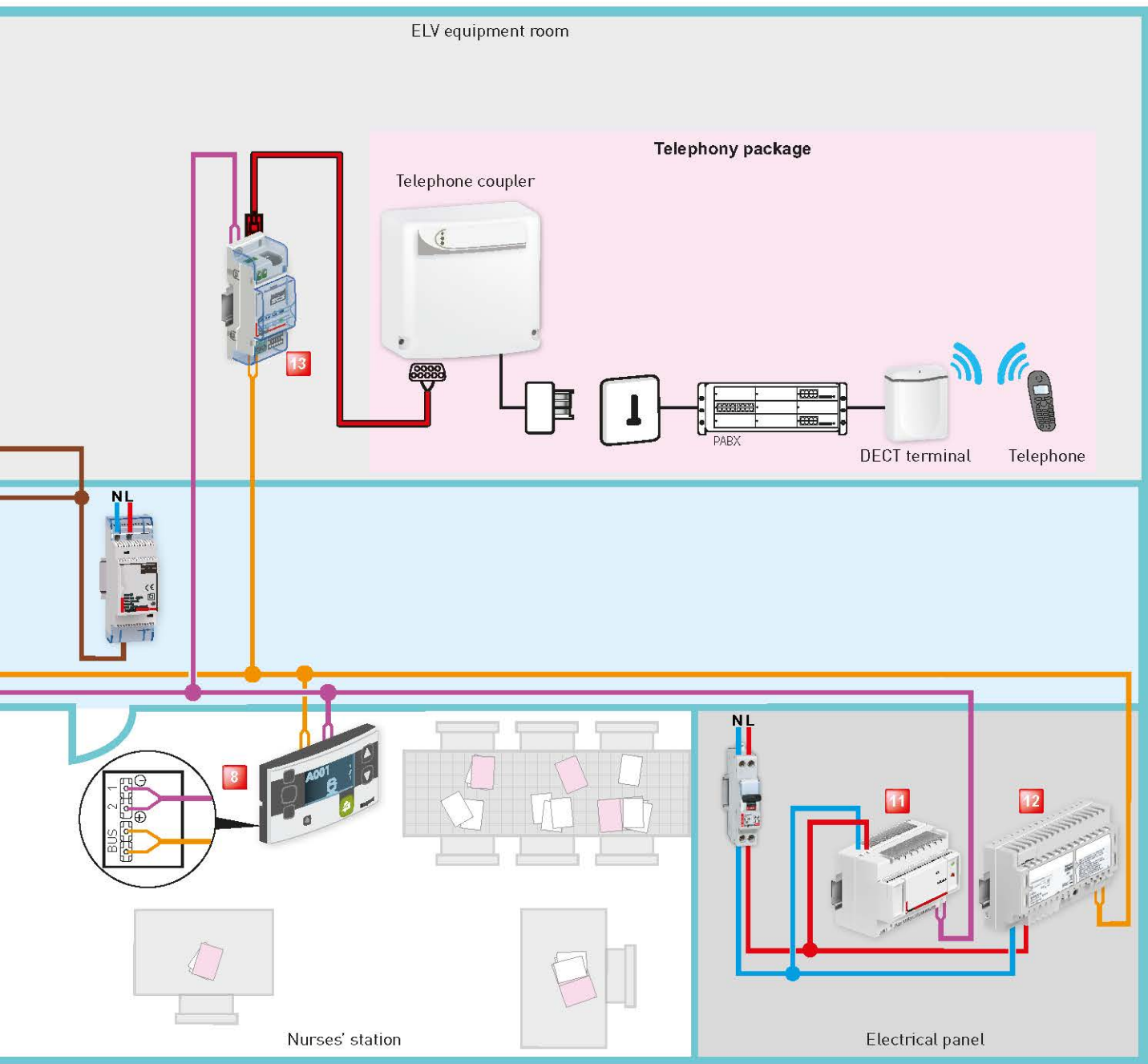
Terminal	Description	Terminal	Description
1	Lamp common	10	Bed 2 hand-held control unit call indicator
2	White lamp	11	Bathroom pull-cord common
3	Red lamp	12	Bathroom pull-cord contact
4	Green lamp	13	Bathroom pull-cord indicator
5	Bed 1 hand-held control unit common	14	Bathroom call acknowledgement button (optional)
6	Bed 1 hand-held control unit call button	15	Biomedical contact common
7	Bed 1 hand-held control unit call indicator	16	Biomedical contact
8	Bed 2 hand-held control unit common	19	Beds 1 and 2 hand-held control unit backlight
9	Bed 2 hand-held control unit call button		

Removing the door unit



If monitor lights or overdoor light units are not being used, replace them with 100 kΩ/0.25 W resistors
If the call contact is not being used, short-circuit the corresponding terminals

transmitter and receiver



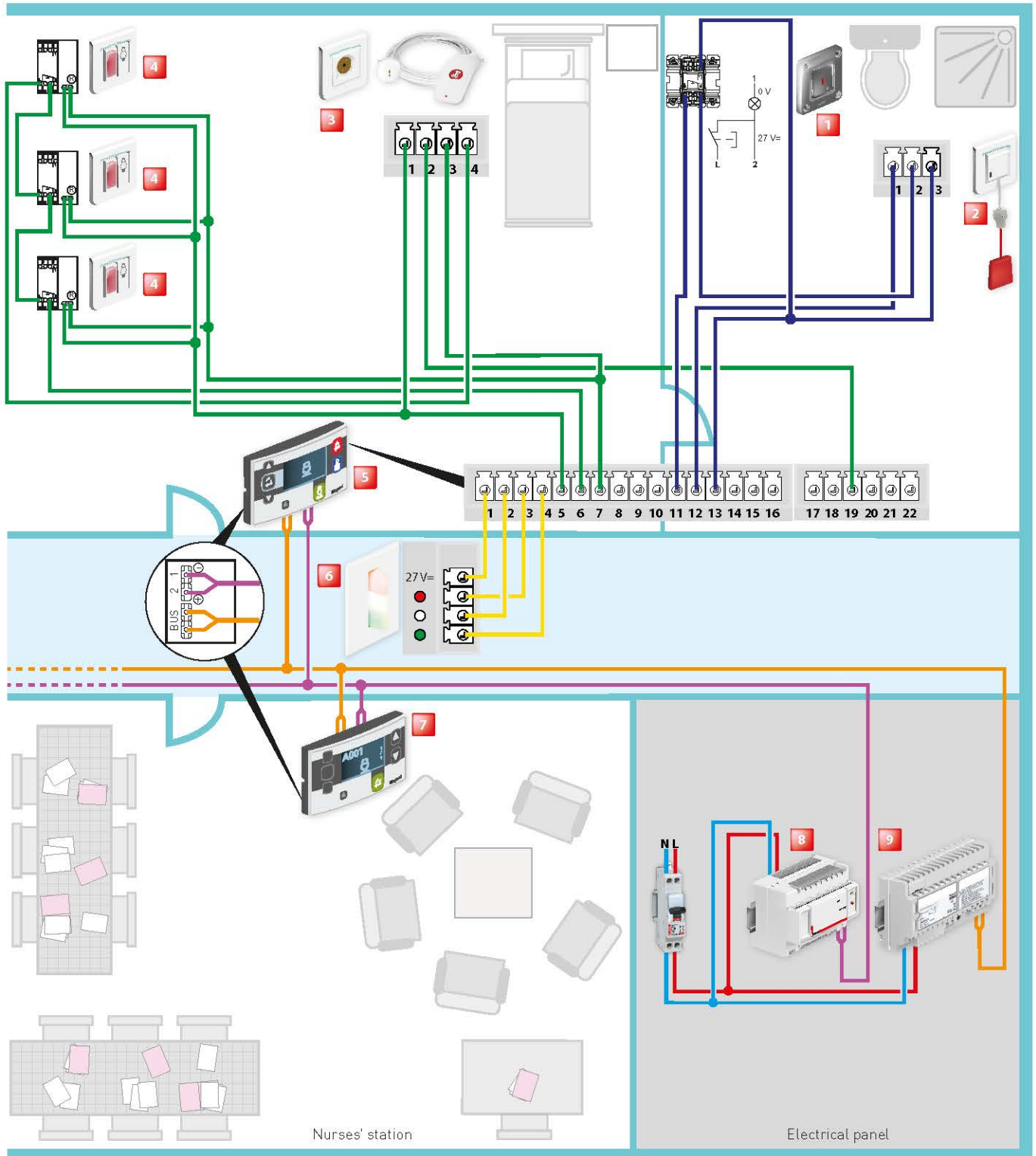
- 5** Socket + hand-held remote control unit for calls Cat. Nos. 0 782 41/46L + 0 782 40 or 0 782 45/47L + 0 782 42/44
- 6** Corridor display unit Cat. No. 0 766 04 with interface and power supply
- 7** Bathroom call pull-cord Cat. No. 0 782 48L
- 8** Main nurses' control unit Cat. No. 0 766 11
- 9** Secondary nurses' control unit Cat. No. 0 766 09
- 10** Call unit Cat. No. 0 766 85L
- 11** Indicator power supply Cat. No. 0 782 90
- 12** BUS/SCS power supply Cat. No. 0 035 60 or E46ADCN
- 13** DECT interface Cat. No. 0 766 19

- 1 pair 0.9 mm² polarised SYT or AWG indicator
- 1 pair Cat. No. 0 492 33 non-polarised
- Indicator power supply cable 2 x 0.9 SYT or 2 x 1 mm² or pair AWG19 or AWG18
- Supplied with the product

Star wiring recommended

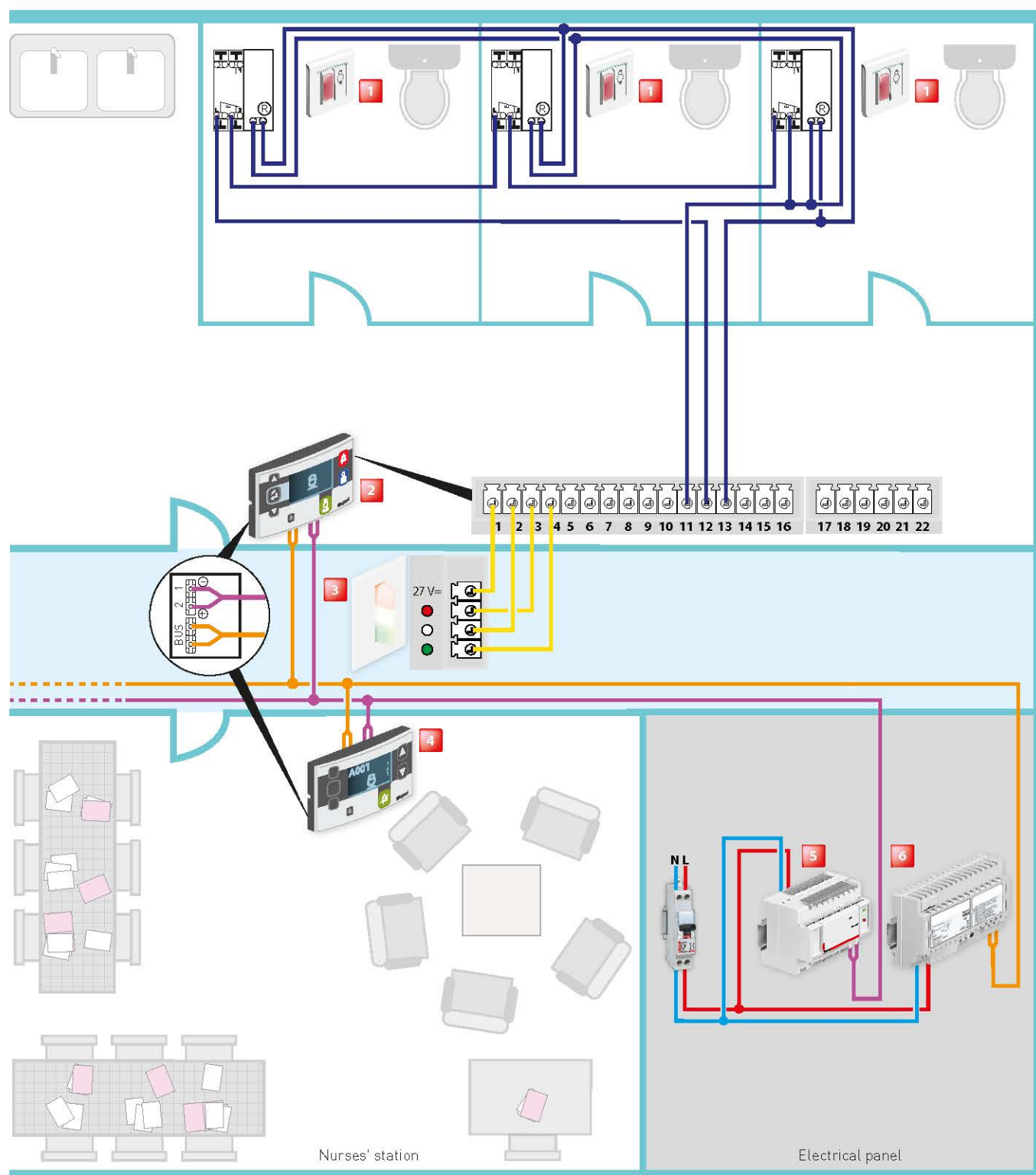
Wiring: multipoint bed call + bathroom call with high-resistance call button

⚠ Do not fully clip on the door units



- | | | |
|---|---|--|
| <p>1 High-resistance call unit
Cat. No. 0 782 51</p> <p>2 Bathroom call pull-cord Cat. No. 0 782 48L</p> <p>3 Socket + hand-held remote control unit
for calls Cat. Nos. 0 782 41/46L + 0 782 40
or 0 782 45/47L + 0 782 42/44</p> <p>4 Bathroom call units or call button
Cat. No. 0 766 85L</p> | <p>5 Door unit with display unit
Cat. Nos. 0 766 07/06</p> <p>6 Monobloc corridor overdoor light
Cat. No. 0 766 70</p> <p>7 Main nurses' control unit
Cat. No. 0 766 11</p> <p>8 Indicator power supply
Cat. No. 0 782 90</p> | <p>9 BUS/SCS power supply Cat. No. 0 035 60
or E46ADCN</p> <p>— 1 pair Cat. No. 0 492 33 non-polarised
Star wiring recommended</p> <p>— } Indicator power supply cable 2 x 0.9 SYT
or 2 x 1 mm² or pair AWG19
or AWG18</p> |
|---|---|--|

Wiring: toilets in public area



1 Bathroom call units or call button
Cat. No. 0 766 85L

2 Door unit with display unit
Cat. Nos. 0 766 07/06

Indicator power supply cable 2 x 0.9 SYT
or 2 x 1 mm² or pair AWG19 or AWG18

3 Monobloc corridor overdoor light
Cat. No. 0 766 70

4 Main nurses' control unit Cat. No. 0 766 11

1 pair Cat. No. 0 492 33 non-polarised

Star wiring recommended

5 Indicator power supply Cat. No. 0 782 90

6 BUS/SCS power supply Cat. No. 0 035 60
or E46ADCN

Wiring: replacing ELIOCAD call and nurse presence programme systems

OVERVIEW

There are several ways to replace an Eliocad system:

1. Complete rebuilding of a ward (extensive refurbishment)

Isolate a ward and replace it (by changing all the devices and redoing the wiring) with the BUS/SCS nurse call system in order to benefit from new functions (see diagrams on previous pages).

2. Modernising the nurse call system with the ward closed (eco version/door unit 0 766 06/07 > 15W23)

Isolate a ward and partially replace it (keeping the existing wiring) with the BUS/SCS nurse call system. In this case only the system devices (communicating devices) are replaced. This allows the change to be made at minimum cost while still benefiting from new functions (traceability, call-forwarding over DECT, automatic fault acknowledgement when replacing a hand-held remote control unit, cyclical switching on and off of the corridor overdoor light unit for fault indication, etc).

3. Modernising the nurse call system with the ward closed with door unit 0 766 06/07 in the room rather than the existing ELIOCAD door unit

Isolate a ward and partially replace it (keeping the existing wiring between the door unit and the interface) with the BUS/SCS nurse call system. In this case only the system devices (communicating devices) are replaced. This allows the change to be made by locating a new-generation door unit in the room while benefiting from new functions (door unit, traceability, call-forwarding over DECT, automatic fault acknowledgement when replacing a hand-held remote control unit, cyclical switching on and off of the corridor overdoor light for fault indication, etc). **3 cables must be pulled through (Legrand BUS, 1 indicator pair and 1 twisted multipair cable) between the interface and the new door unit, otherwise the system may not work properly.**

4. Modernising the nurse call system with the site in use without changing the door unit (existing ELIOCAD) in the room (eco version)

Replace a ward with the site in use, without affecting patient rooms. New BUS cables must be pulled through the corridors and indicators installed, and new power supplies (BUS + indicator) installed so that the 2 systems work in parallel. Door units Cat. No. 0 766 06 + box Cat. No. 0 766 14 are installed on Eliocad call and nurse presence programmes one by one instead of the interfaces.

The new main nurses' control unit, new secondary control units, new corridor display units and other functions should be installed in parallel as required (call-forwarding over DECT, traceability, etc).

5. Modernising the nurse call system with the site in use with door unit 15W23 0 766 06/07 in the room rather than the existing ELIOCAD door unit.

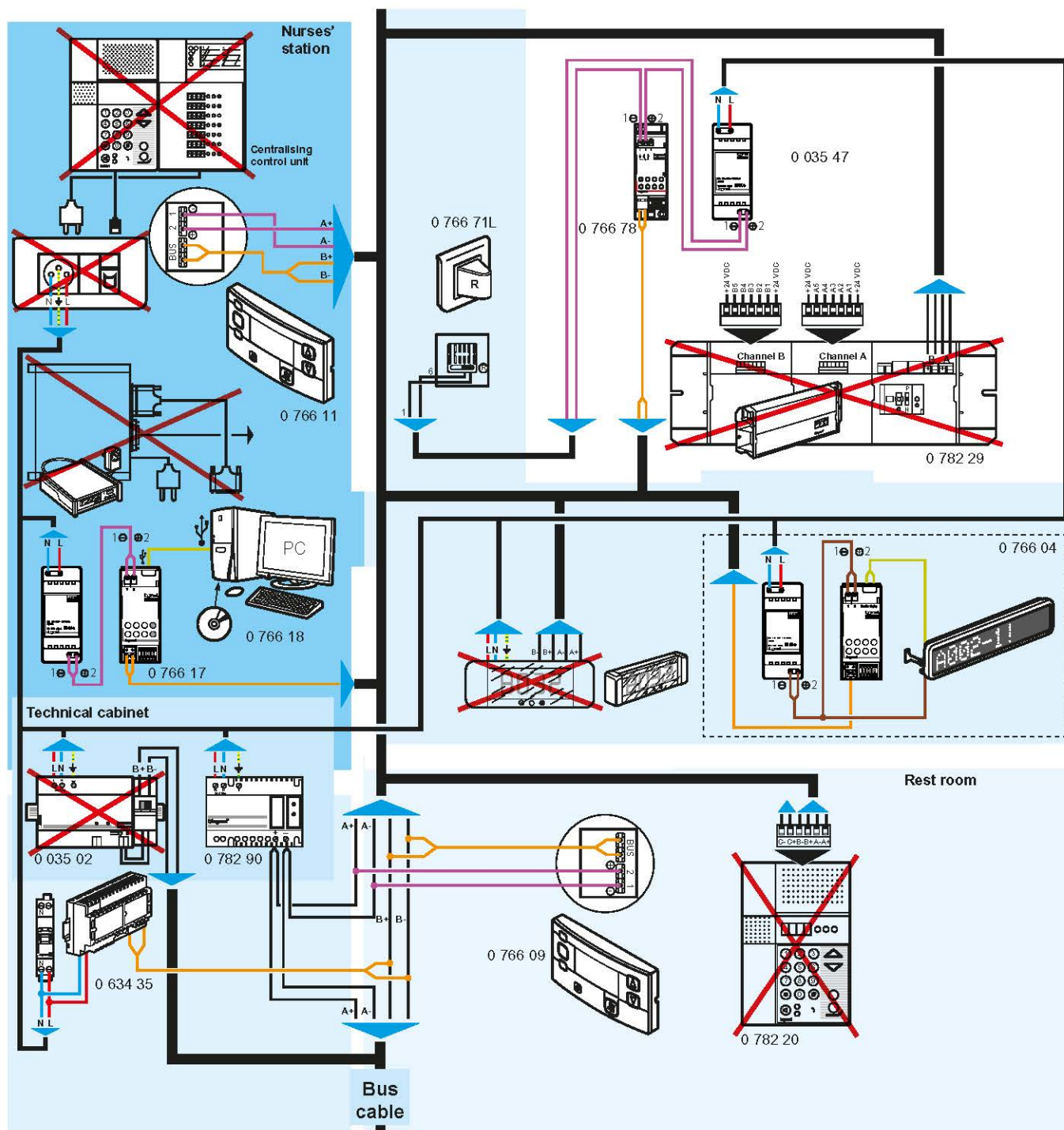
Replace a ward with the site in use, and change the door unit in the room. New BUS cables must be pulled through the corridors and indicators installed, and new power supplies (BUS + indicator) installed so that the 2 systems work in parallel. Door units are installed on Eliocad call and nurse presence programmes rather than door units being placed in the rooms. The interface is replaced with a junction box

Cat. No. 0 920 22 and **3 cables must be pulled through (Legrand BUS, 1 indicator pair and 1 twisted multipair cable) between this junction box and the new door unit, otherwise the system may not work properly.**

The new main nurses' control unit, new secondary control units, new corridor display units and other functions should be installed in parallel as required (call-forwarding over DECT, traceability, etc).

- NOTE:**
- An indicator power supply 0 782 90 for 25 rooms is required (to be checked against the existing ELIOCAD)
 - On Eliocad, unused inputs are shunted with a 24 V common (terminals 1 or 10 or 11).
On the BUS/SCS system, unused inputs can be disabled during programming.
 - During parameter setting, if the door unit declares itself to be in automatic mode, check that the external acknowledgement push-button is not open or that door unit switches 1 and 2 are not set to OFF (see technical data sheet).

Wiring: replacing ELIOCAD additional devices with BUS/SCS nurse call system devices



0 782 29 terminal block

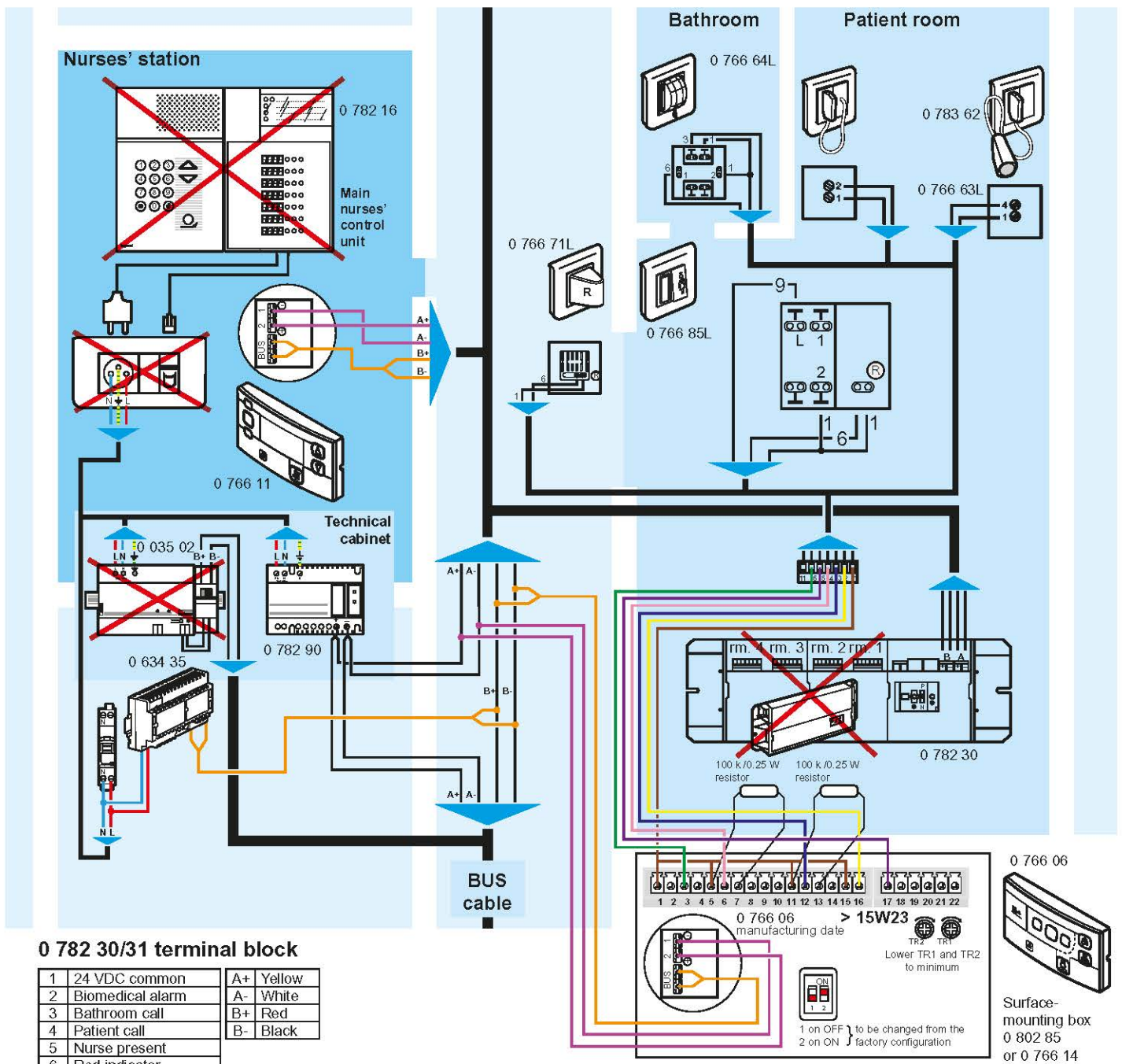
1	24 VDC common
4	Patient call
5	Nurse present
6	Red indicator
7	Yellow indicator
8	Green indicator
9	2 nurses present

A+	Yellow
A-	White
B+	Red
B-	Black

To switch the ELIOCAD nurse call unit telephone coupling to the BUS/SCS nurse call unit, please contact customer service or your local representative.

Caution: Terminals 6 and 7 power: min. 1.2 Watts
max. 7 Watts
If there is no power, insert a 470 Ω/5 W resistor

Wiring: replacing the ELIOCAD call programme with the BUS/SCS nurse call system



0 782 30/31 terminal block

1	24 VDC common	A+ Yellow
2	Biomedical alarm	A- White
3	Bathroom call	B+ Red
4	Patient call	B- Black
5	Nurse present	
6	Red indicator	
11	24 VDC common	

Interface terminal block 0 782 30/31	SCS door unit 0 766 06
1	1 → 5 → 11 → 15
2	16
3	12
4	6
5	17
6	3
11	15 → 11 → 5 → 1

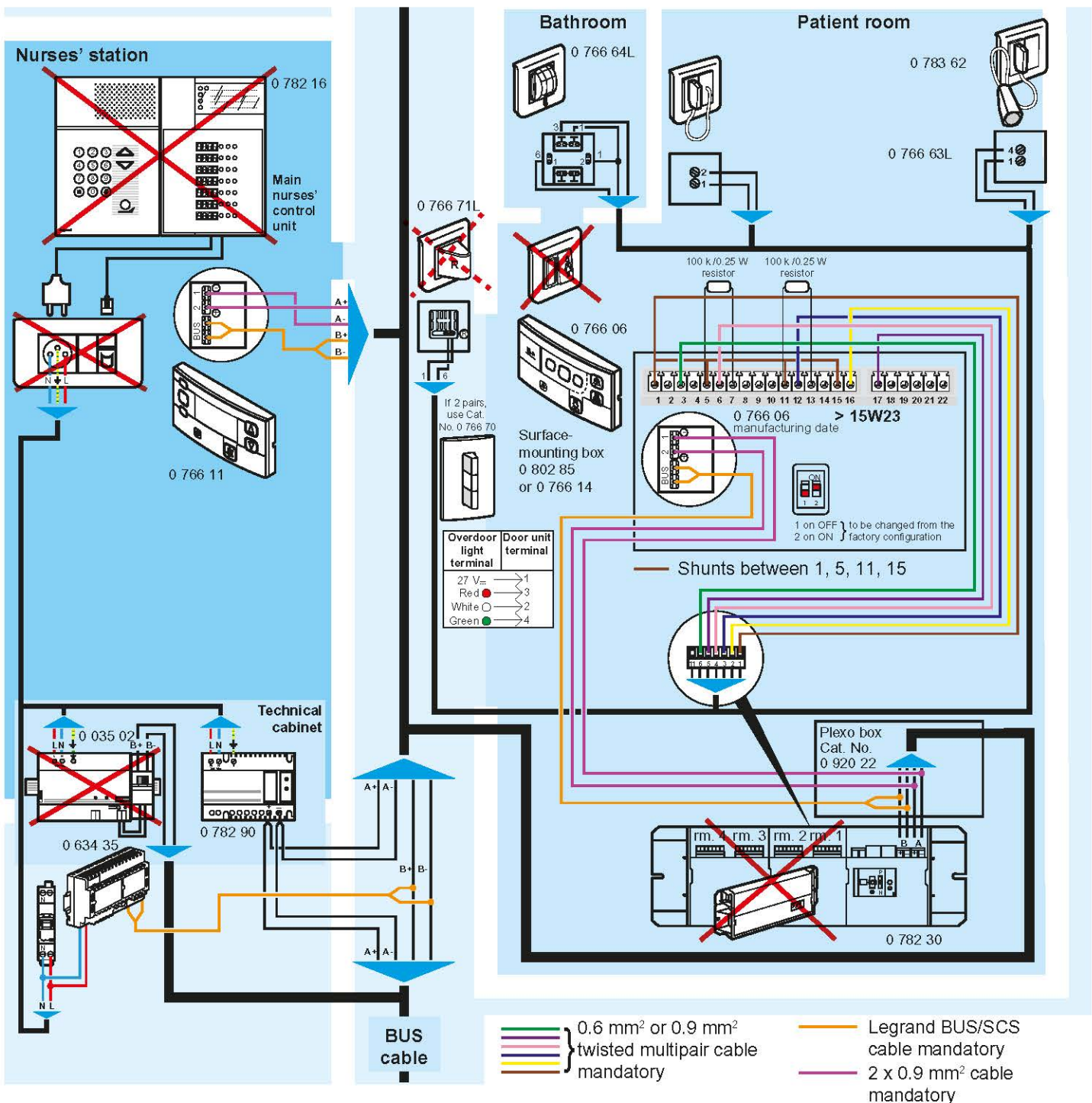
EIB BUS cable (green)	Interface terminal block 0 782 30/31	SCS door unit 0 766 06/11/09
Red	B+ Red	BUS } non- BUS } polarised
Black	B- Black	
Yellow	A+ Yellow	2
White	A- White	1

1 interface 0 782 30 = 4 door units 0 766 06

1 interface 0 782 31 = 2 door units 0 766 06

Recommendation: to connect the door unit, disconnect and reconnect it one wire at time.

Wiring: diagram with door unit located in the room (as opposed to the technical cabinet or ceiling)



0 782 30/31 terminal block

1	24 VDC common
2	Biomedical alarm
3	Bathroom call
4	Patient call
5	Nurse present
6	Red indicator
11	24 VDC common

A+	Yellow
A-	White
B+	Red
B-	Black

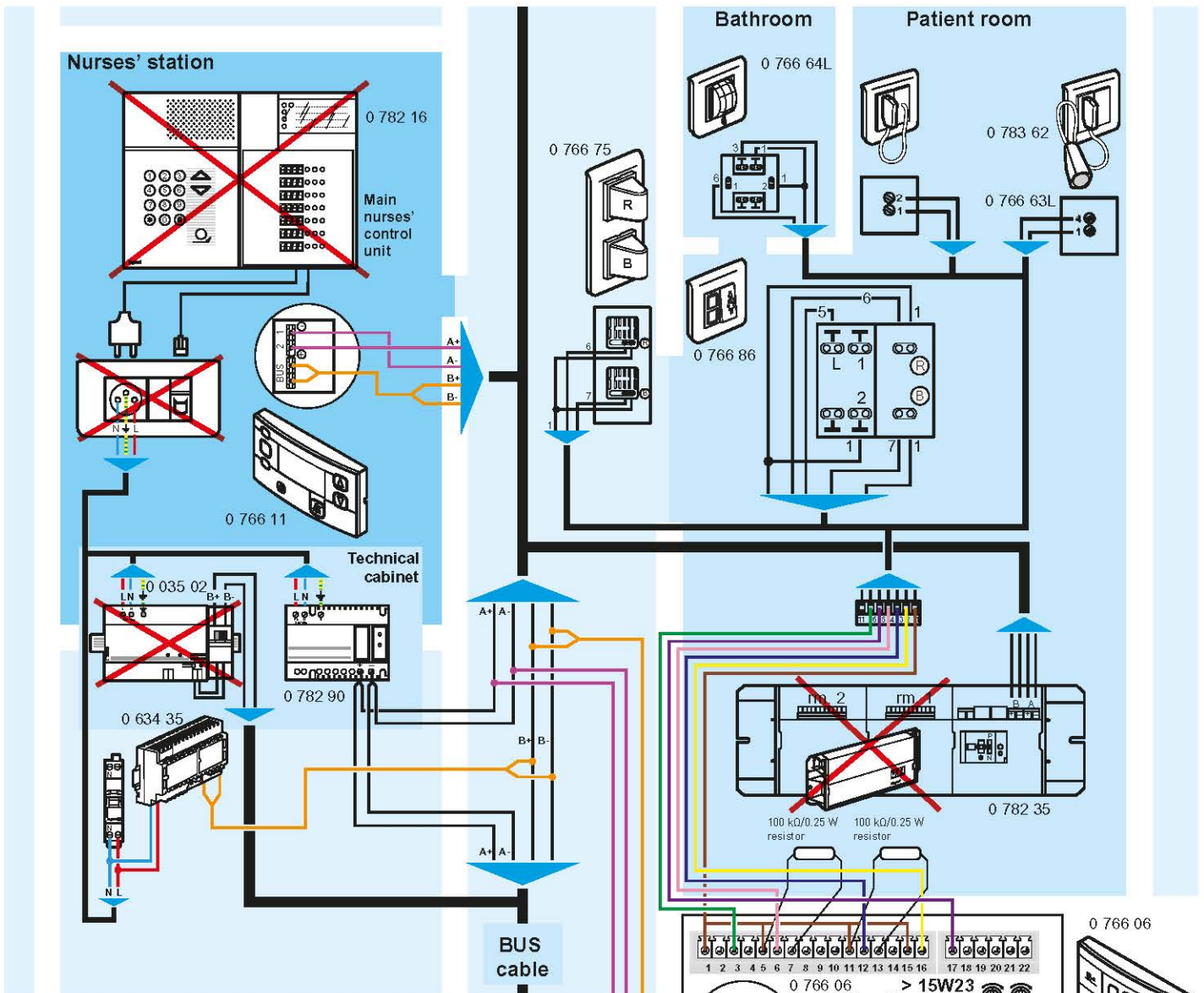
Interface terminal block 0 782 30/31	SCS door unit 0 766 06
1	1 → 5 → 11 → 15
2	16
3	12
4	6
5	17
6	3
11	15 → 11 → 5 → 1

EIB BUS cable	Interface terminal block 0 782 30/31	SCS door unit 0 766 06/11/09
Green		BUS non-polarised
Red	B+ Red	BUS 1
Black	B- Black	BUS 2
Yellow	A+ Yellow	2
White	A- White	1

1 interface 0 782 30 = 4 door units 0 766 06
1 interface 0 782 31 = 2 door units 0 766 06

Recommendation: to connect the door unit, disconnect and reconnect it one wire at time.

Wiring: replacing the ELIOCAD nurse presence programme with the BUS/SCS nurse call system



0 782 35 terminal block

1	24 VDC common	7	Yellow indicator	A+	Yellow
2	Biomedical alarm	8	Green indicator	A-	White
3	Bathroom call	9	2 nurses present	B+	Red
4	Patient call	10	24 VDC common	B-	Black
5	Nurse present	11	24 VDC common		
6	Red indicator				

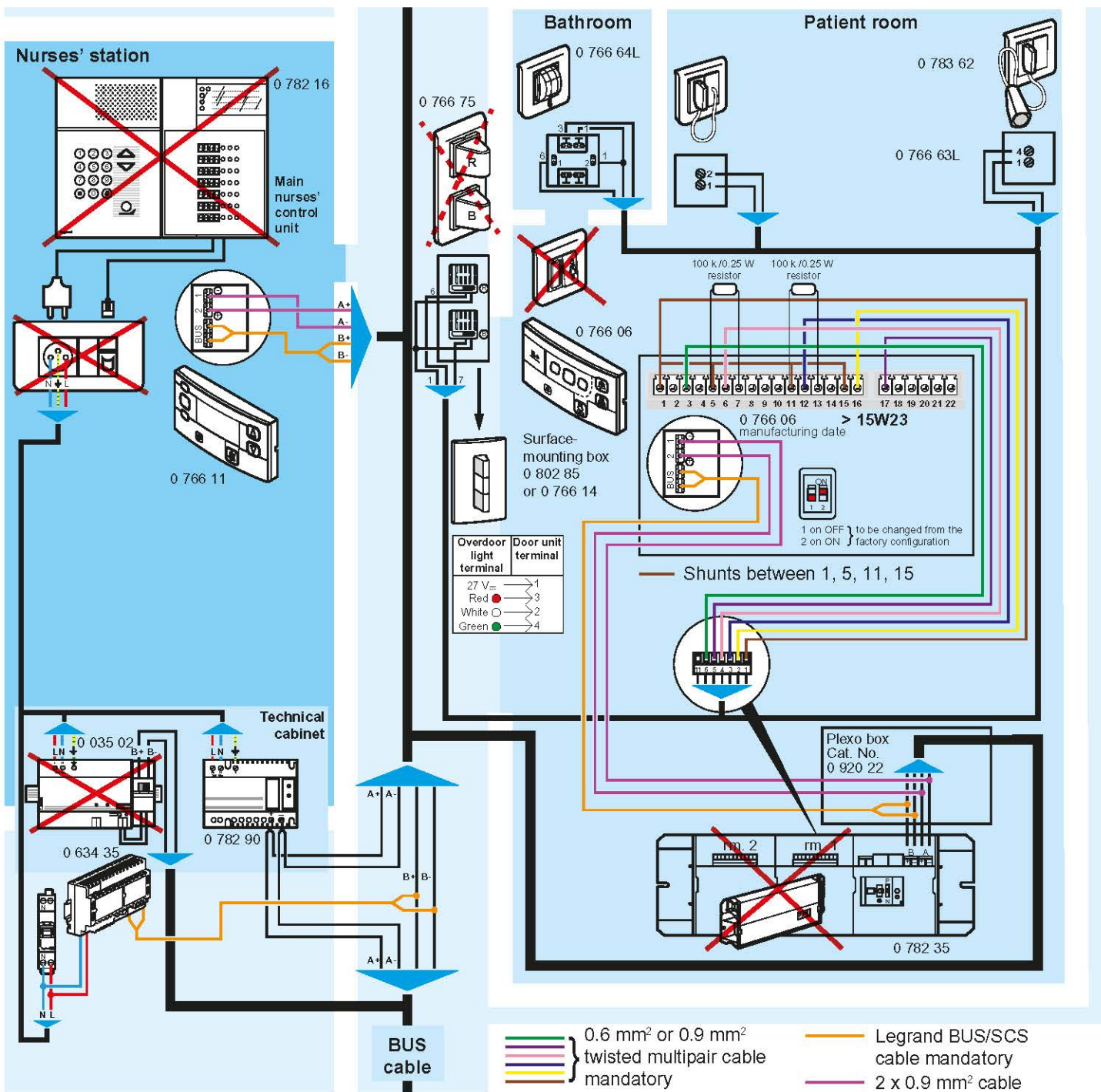
Interface terminal block 0 782 35	SCS door unit 0 766 06
1	1 → 5 → 11 → 15
2	16
3	12
4	6
5	17
6	3
7	4
8	NO
9	NO
10	15 → 11 → 5 → 1
11	15 → 11 → 5 → 1

EIB BUS cable (green)	Interface terminal block 0 782 35	SCS door unit 0 766 06/11/09
Red	B+ Red	BUS } non-
Black	B- Black	BUS } polarised
Yellow	A+ Yellow	2
White	A- White	1

1 interface 0 782 35 = 2 door units 0 766 06

Recommendation: to connect the door unit, disconnect and reconnect it one wire at a time.

Wiring: diagram with door unit located in the room (as opposed to the technical cabinet or ceiling)



0 782 35 terminal block

1	24 VDC common
2	Biomedical alarm
3	Bathroom call
4	Patient call
5	Nurse present
6	Red indicator
7	Yellow indicator
8	Green indicator
9	2 nurses present
10	24 VDC common
11	24 VDC common

A+	Yellow
A-	White
B+	Red
B-	Black

Interface terminal block 0 782 35	SCS door unit 0 766 06
1	1 → 5 → 11 → 15
2	16
3	12
4	6
5	17
6	3
7	4
8	NO
9	NO
10	15 → 11 → 5 → 1
11	15 → 11 → 5 → 1

EIB BUS cable (green)	Interface terminal block 0 782 35	SCS door unit 0 766 06/11/09
Red	B+ Red	BUS ₁ non-polarised
Black	B- Black	BUS ₂ polarised
Yellow	A+ Yellow	2
White	A- White	1

1 interface 0 782 35 = 2 door units 0 766 06
 Recommendation: to connect the door unit, disconnect and reconnect it one wire at time.

Parameter setting

DEVICE CONFIGURATION

10 areas (wards) can be managed in a physical configuration.

- For any installation with fewer than 80 directions (rooms) per ward, physical configuration is possible (using configurators).
- Virtual configuration is mandatory when there are more than 80 directions per ward.

20 additional addresses are reserved for:

- secondary control unit
- corridor display unit (maximum 5)
- traceability
- call-forwarding over DECT
- door controller for secure wandering
- BUS extension

PHYSICAL DEVICE CONFIGURATION

⚠ Physical configuration (using configurators) and virtual configuration (software programming) are not compatible.

Physical configuration is achieved by inserting the configurators, distinguished by either a number or graphic, into the correct location in each device.

This mode should be used for installations with no more than 100 devices in each area (80 directions (rooms) + 20 additional addresses).



Cat. Nos. 0 492 00/01/02/03/04/05/06/07/08/09 or Cat. Nos. 3501/0/1/2/3/4/5/6/7/8/9

Cat. No. 0 261 45 or 3501K

Case comprising:

- 10 .0. configurators (Cat. No. 0 492 00 or 3501/0)
- 10 .1. configurators (Cat. No. 1 492 01 or 3501/1)
- 10 .2. configurators (Cat. No. 2 492 02 or 3501/2)
- 10 .3. configurators (Cat. No. 3 492 03 or 3501/3)
- 10 .4. configurators (Cat. No. 4 492 04 or 3501/4)
- 10 .5. configurators (Cat. No. 5 492 05 or 3501/5)
- 10 .6. configurators (Cat. No. 6 492 06 or 3501/6)
- 10 .7. configurators (Cat. No. 7 492 07 or 3501/7)
- 10 .8. configurators (Cat. No. 8 492 08 or 3501/8)
- 10 .9. configurators (Cat. No. 9 492 09 or 3501/9)

Example of equipment needed according to the number of rooms

Cat. Nos.	Number of boxes to equip 50 rooms	Ratio of boxes/number of rooms
0 261 45 or 3501K	1	1/50
0 492 01 or 3501/1	10	1/5
0 492 02 or 3501/2	10	1/5
0 492 03 or 3501/3	5	1/10
0 492 04 or 3501/4	5	1/10
0 492 05 or 3501/5	5	1/10
0 492 06 or 3501/6	5	1/10
0 492 20 or 3501/T	1	1/50

Configuration of the main nurses' control unit Cat. No. 0 766 11

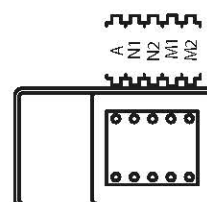
A: indicates the area to which the device belongs (0 to 9)

N1: not in use

N2: not in use

M1: 1 for the first control unit

M2: not in use



Configuration of the secondary control unit Cat. No. 0 766 09

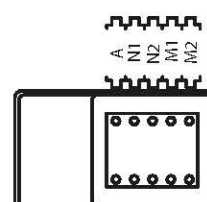
A: indicates the area to which the device belongs (0 to 9)

N1: indicates the secondary control unit number (0 to 9)

N2: indicates the secondary control unit number (0 to 9)

M1: 2

M2: not in use

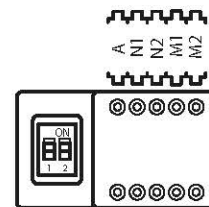


Parameter setting (continued)

PHYSICAL DEVICE CONFIGURATION (CONTINUED)

Configuration of door unit with indicators Cat. No. 0 766 06

- A: indicates the area to which the device belongs (0 to 9)
- N1: indicates the room number (0 to 9)
- N2: indicates the room number (0 to 9)
- M1: terminal operating mode (see table)
- M2: bathroom acknowledgement mode (see table):
 - 1 = door unit
 - 2 =additional push-button in the bathrooms
 - Ø = no configurator



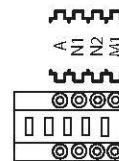
M1 config.	Hand RC Bed 1	Hand RC Bed 2	Bath room	Biomedical contact	Wandering	M2 config.
1	✓	X	X	X	X	Ø
2	✓	X	✓	X	X	1/2
3	✓	X	✓	✓	X	1/2
4	✓	✓	X	X	X	Ø
5	✓	✓	✓	X	X	1/2
6	✓	✓	✓	✓	X	1/2
7	X	X	✓	X	X	1/2
8	X	X	X	X	✓	Door no. (0 to 9)

Configuration of the door unit with display unit Cat. No. 0 766 07

- A: indicates the area to which the device belongs (0 to 9)
- N1: indicates the room number (0 to 9)
- N2: indicates the room number (0 to 9)
- M1: terminal operating mode (see table)
- M2: bathroom acknowledgement mode (see table):
 - 1 = door unit
 - 2 =additional push-button in the bathrooms

Configuration of the display unit interface Cat No. 0 766 04

- A: indicates the area to which the device belongs (0 to 9)
- N1: indicates the device address (0 to 9)
- N2: indicates the device address (0 to 9)
- M1: audible signalling mode:
 - 1 = buzzer enabled
 - 2 = buzzer disabled



Configuration of the DECT interface Cat No. 0 766 19

- A: indicates the area to which the device belongs (0 to 9)
- N1: indicates the device address (0 to 9)
- N2: indicates the device address (0 to 9)
- M1: type of message sent over the ESPA 4.4.4. (see table)



M1 config.	Error message	Alarm	Emergency	Call
1	✓	X	X	X
2	✓	✓	X	X
3	✓	✓	✓	X
4	✓	✓	✓	✓

Configuration of the BUS/SCS extension Cat. No. 0 766 10

- Physical extension. mode - repeater version

This mode should be used whenever it is necessary to extend the physical limit of the maximum length of the bus, but not the limit on the number of addresses in the area.

In this mode, configurator Cat. No. 0 492 20/3501/T is inserted in A, N1, N2 and M1 are not used (empty).

- Logical extension. mode - in gateway version

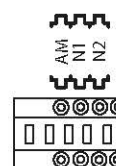
This mode is used to create a riser in order to connect the various wards to it.

A: indicates the area to which the device belongs (0 to 9)

N1: indicates the device address (0 to 9)

N2: indicates the device address (0 to 9)

M1: not in use



Configuration of the traceability interface Cat No. 0 766 17

A: indicates the area to which the device belongs (0 to 9)

N1: indicates the device address (0 to 9)

N2: indicates the device address (0 to 9)

M1: operating mode when the interface memory is full:

- 1: older records are overwritten by new ones

- 2: new records are suspended until old records have been saved and deleted from the interface

M2: not in use



Configuration of the information feedback interface Cat No. 0 766 78

A: indicates the area to which the device belongs (0 to 9)

N1: indicates the device address (0 to 9)

N2: indicates the device address (0 to 9)

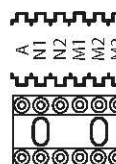
M1: operating mode:

- 1: buzzer mode

- 2: indicator mode

M2: buzzer operating mode (see table) (sounds intermittently. See interface data sheet in *Device presentation and installation* section)

M3: not in use



M2 config.	Patient call	Bathroom call	Emergency call	High-level emergency
1	✓	✓	✗	✗
2	✗	✗	✓	✗
3	✓	✓	✓	✗
4	✗	✗	✗	✓
5	✓	✓	✗	✓
6	✗	✗	✓	✓
7	✓	✓	✓	✓

M1 and M2 must have a configurator that is not 0

Parameter setting (continued)

PHYSICAL DEVICE CONFIGURATION (CONTINUED)

Example:

Installation for an area comprising:

- 10 rooms with door unit for 2 beds, biomedical alarm and lavatory
- 1 main nurses' control unit for the monitoring station, 1 secondary control unit
- 1 corridor display unit with audible signalling, 1 traceability interface, 1 DECT interface and 1 feedback interface (indicator configuration)

Door units Cat. Nos. 0 766 06/07

A	N1	N2	M1	M2
0	0	1	6	1



A	N1	N2	M1	M2
0	0	2	6	1



A	N1	N2	M1	M2
0	0	3	6	1



A	N1	N2	M1	M2
0	0	4	6	1



A	N1	N2	M1	M2
0	0	5	6	1



A	N1	N2	M1	M2
0	0	6	6	1



A	N1	N2	M1	M2
0	0	7	6	1



A	N1	N2	M1	M2
0	0	8	6	1



A	N1	N2	M1	M2
0	0	9	6	1



Interface for
corridor display unit
Cat. No. 0 766 04

A	N1	N2	M1
0	9	8	1



A	N1	N2	M1	M2
0	1	0	6	1



Traceability
interface
Cat. No. 0 766 17

A	N1	N2	M1
0	9	7	1



Main nurses' control
unit Cat. No. 0 766 11

A	N1	N2	M1	M2
0	0	0	1	/



DECT interface
Cat. No. 0 766 19

A	N1	N2	M1
0	9	6	4



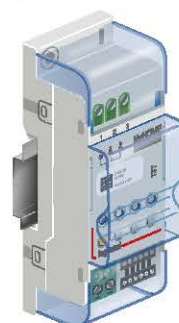
Secondary control
unit Cat. No. 0 766 09

A	N1	N2	M1	M2
0	9	9	2	/



Feedback interface
Cat. No. 0 766 78
(indicator
configuration)

A	N1	N2	M1	M2	M3
0	9	5	2	7	0



Parameter setting (continued)

PHYSICAL DEVICE CONFIGURATION (CONTINUED)

This section describes the essential concepts of 'physical' and 'virtual' device configuration.

To understand the addressing logic, the terms used in the text are defined below:

- Area (A): All devices belonging to the same nursing ward (max. 10 areas in physical configuration: A, B, C... J and max. 14 areas in virtual configuration: A, B, C... N).
- N1–N2: Numerical identifier for each room in the (nursing) ward.
- M1–M2: These configurators identify the device operating mode.

Healthcare building with 1 ward of 80 rooms on 1 floor in physical configuration

Ward A Cat. No. 0 766 11
Room 1 → 80

Main nurses' control
unit Cat. No. 0 766 11

A	N1	N2	M1	M2
0	0	0	1	/



Display: 001 to 080
not modifiable

Door units
Cat. Nos. 0 766 06/07

A	N1	N2	M1	M2
0	0	1	2	1



Configuration for room no. 1
in ward A with 1 bed and
1 bathroom

Healthcare building with 3 floors in physical configuration

Ward C
Cat. No. 0 766 11
Room 1 → 80

Main nurses' control unit Cat. No. 0 766 11

A	N1	N2	M1	M2
2	0	0	1	/



Display: 001 to 080
not modifiable

Door units Cat. Nos. 0 766 06/07

A	N1	N2	M1	M2
2	0	1	2	1



Configuration for room no. 1 in ward C with 1 bed and 1 bathroom

Floor 3

Ward B
Cat. No. 0 766 11
Room 1 → 80

Main nurses' control unit Cat. No. 0 766 11

A	N1	N2	M1	M2
1	0	0	1	/



Display: 001 to 080
not modifiable

Door units Cat. Nos. 0 766 06/07

A	N1	N2	M1	M2
1	0	1	2	1



Configuration for room no. 1 in ward B with 1 bed and 1 bathroom

Floor 2

Ward A
Cat. No. 0 766 11
Room 1 → 80

Main nurses' control unit Cat. No. 0 766 11

A	N1	N2	M1	M2
0	0	0	1	/



Display: 001 to 080
not modifiable

Door units Cat. Nos. 0 766 06/07

A	N1	N2	M1	M2
0	0	1	2	1



Configuration for room no. 1 in ward A with 1 bed and 1 bathroom

Floor 1

Locatable on floor 1, 2 or 3

Main nurses' control unit Cat. No. 0 766 11 with feedback enabled (4 max.)

A	N1	N2	M1	M2
3	0	0	1	/

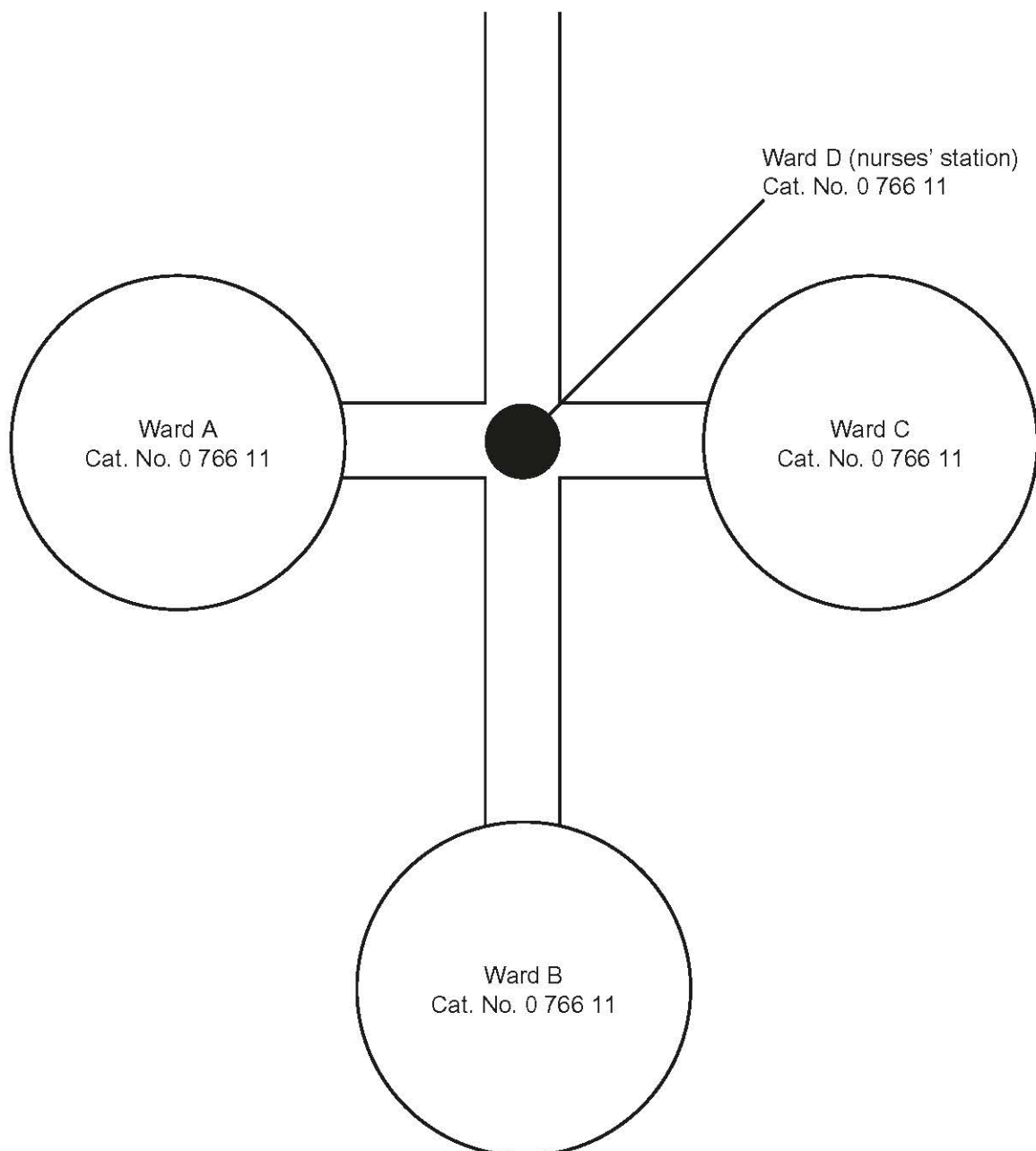


Display: A001 to A080,
B001 to B080,
C001 to C080
not modifiable

Parameter setting (continued)

PHYSICAL DEVICE CONFIGURATION (CONTINUED)

Healthcare building with 3 wings



Main nurses' control unit Cat. No. 0 766 11

A	N1	N2	M1	M2
2	0	0	1	/



Display: 001 to 080
not modifiable

Door units Cat. Nos. 0 766 06/07

A	N1	N2	M1	M2
2	0	1	2	1



Configuration for room no. 1
in ward C with 1 bed and
1 bathroom

Main nurses' control unit Cat. No. 0 766 11

A	N1	N2	M1	M2
1	0	0	1	/



Display: 001 to 080
not modifiable

Door units Cat. Nos. 0 766 06/07

A	N1	N2	M1	M2
1	0	1	2	1



Configuration for room no. 1
in ward B with 1 bed and
1 bathroom

Main nurses' control unit Cat. No. 0 766 11

A	N1	N2	M1	M2
0	0	0	1	/



Display: 001 to 080
not modifiable

Door units Cat. Nos. 0 766 06/07

A	N1	N2	M1	M2
0	0	1	2	1



Configuration for room no. 1
in ward A with 1 bed and
1 bathroom

Main nurses' control unit Cat. No. 0 766 11 with feedback enabled (4 max.)

A	N1	N2	M1	M2
3	0	0	1	/

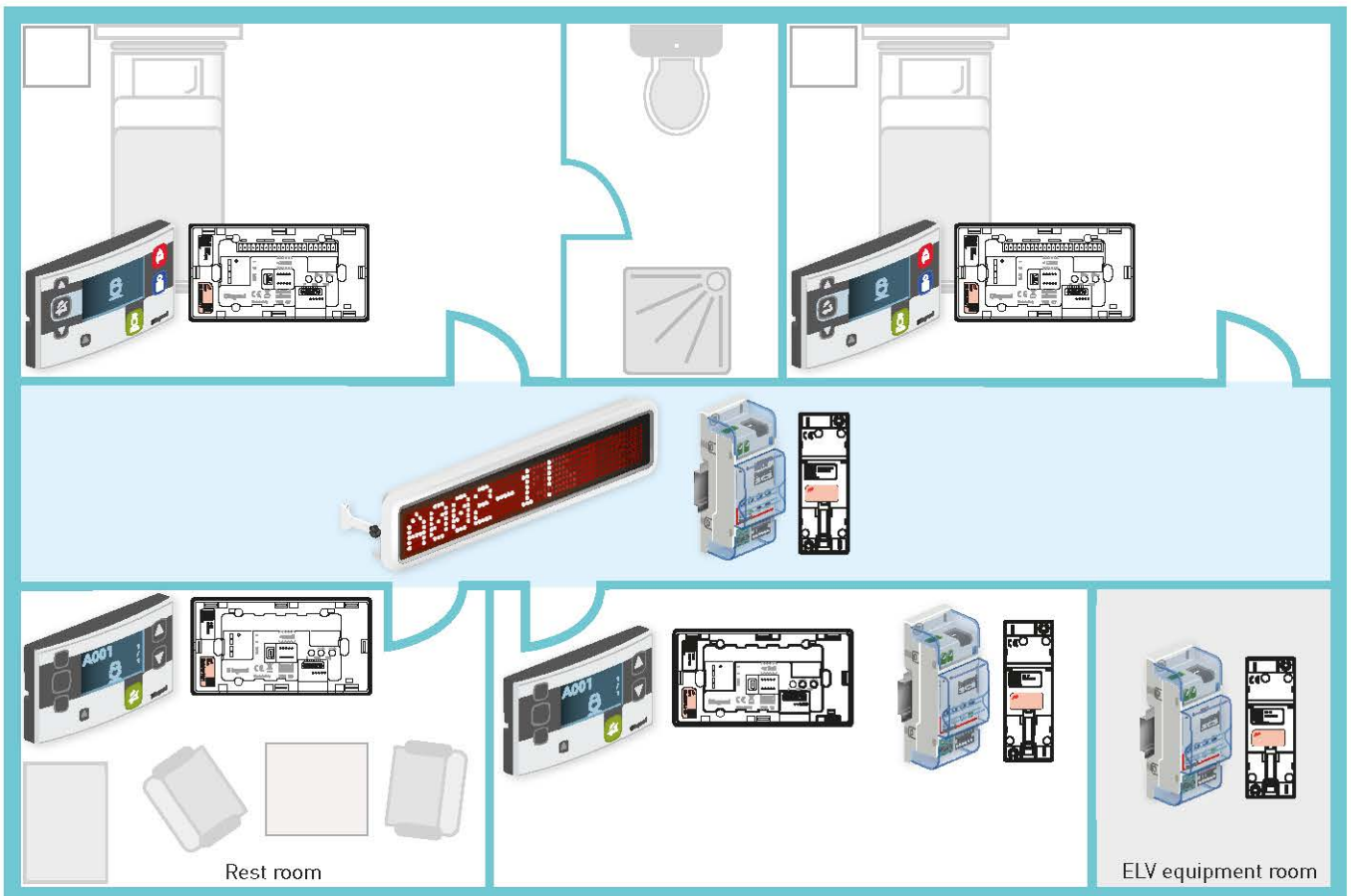
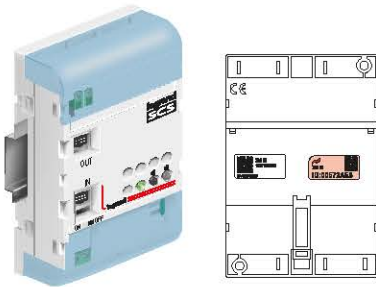


Display: A001 to A080,
B001 to B080,
C001 to C080
not modifiable

Parameter setting (continued)

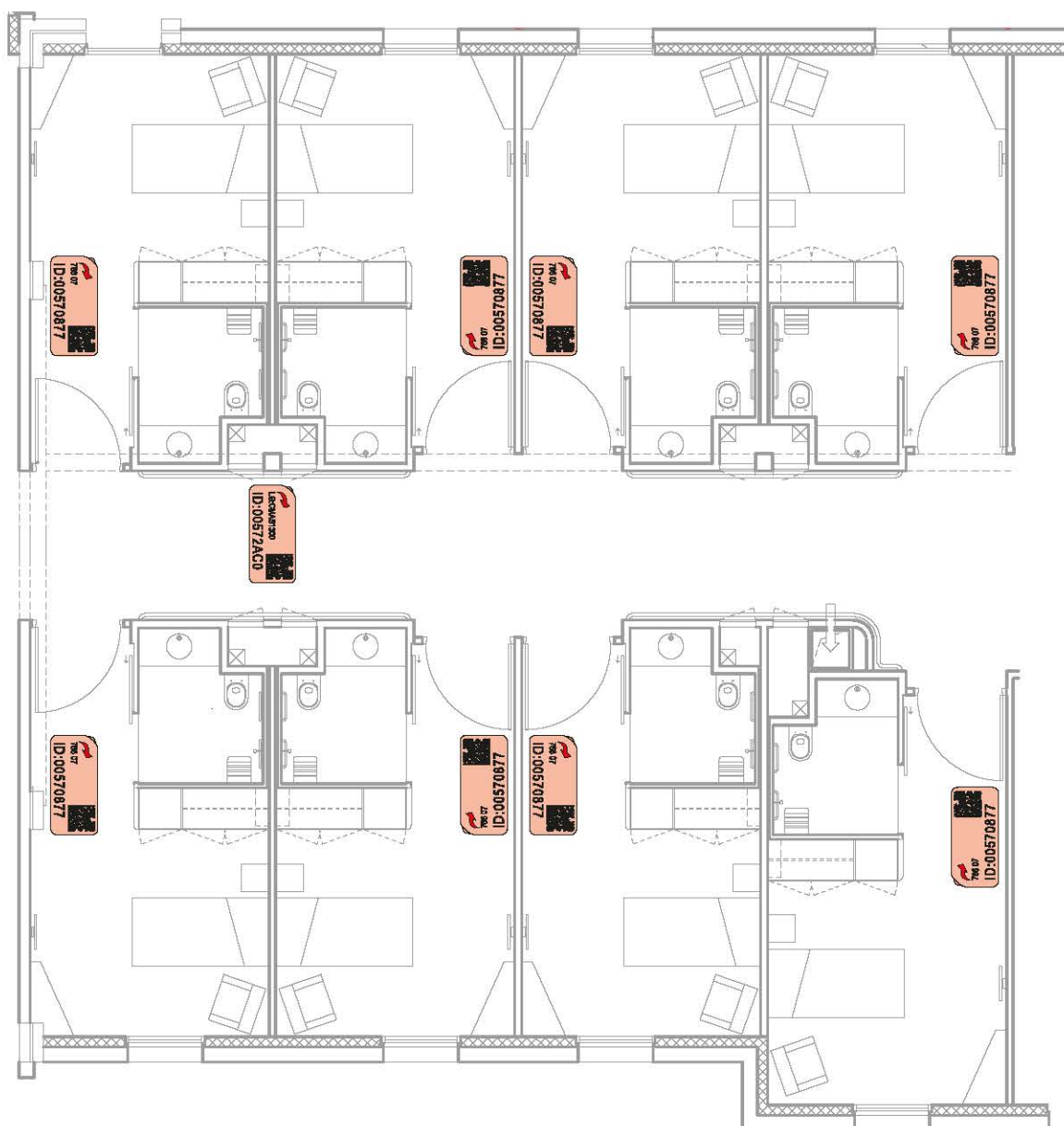
PREPARING THE PLAN FOR VIRTUAL CONFIGURATION (INSTALLER)

Stick ID labels of all the BUS products (surface-mounting, flush-mounting, ceiling-mounting and modular wiring accessories) on a plan, taking care to place products in the correct physical position.



PREPARING THE PLAN FOR VIRTUAL CONFIGURATION (INSTALLER)

⚠ For personal radio transmitters (Cat. Nos. 21PDER904, 21PMOR902 and 21PDER911), we suggest you create an equivalence table between the product ID and the room to which it is attached.



Parameter setting (continued)

VIRTUAL DEVICE CONFIGURATION

⚠ Physical configuration (using configurators) and virtual configuration (software programming) are not compatible.

When a product has been configured using configurators, to configure it virtually (software programming):

- 1 Remove the configurators
- 2 Switch off the BUS and indicator power supplies for 30 sec. minimum

Principle

Install the Nurse Call Configurator software Cat. No. 0 766 15 on the PC where the parameters will be set.

The hospital system virtual configuration can be used to:

- Extend the number of rooms per ward to 150 rather than 80 for the physical configuration.
- Have 4-digit room numbering including the ward name in numbers or letters.
- Have a backup of the project.

Setup

Virtual configuration of the hospital system is done on a PC.

The virtual configuration software Cat. No. 0 766 15 therefore needs to be installed on a PC.

There are 3 options for virtual configuration:

- The configuration kit will be used independently of the installation (standalone).

- The configuration kit will be connected to the installation.

- Web server Cat. No. F454 will be installed in a cabinet connected to the vertical BUS or floor BUS.

While it is being used, the nurse call system is no longer operational.

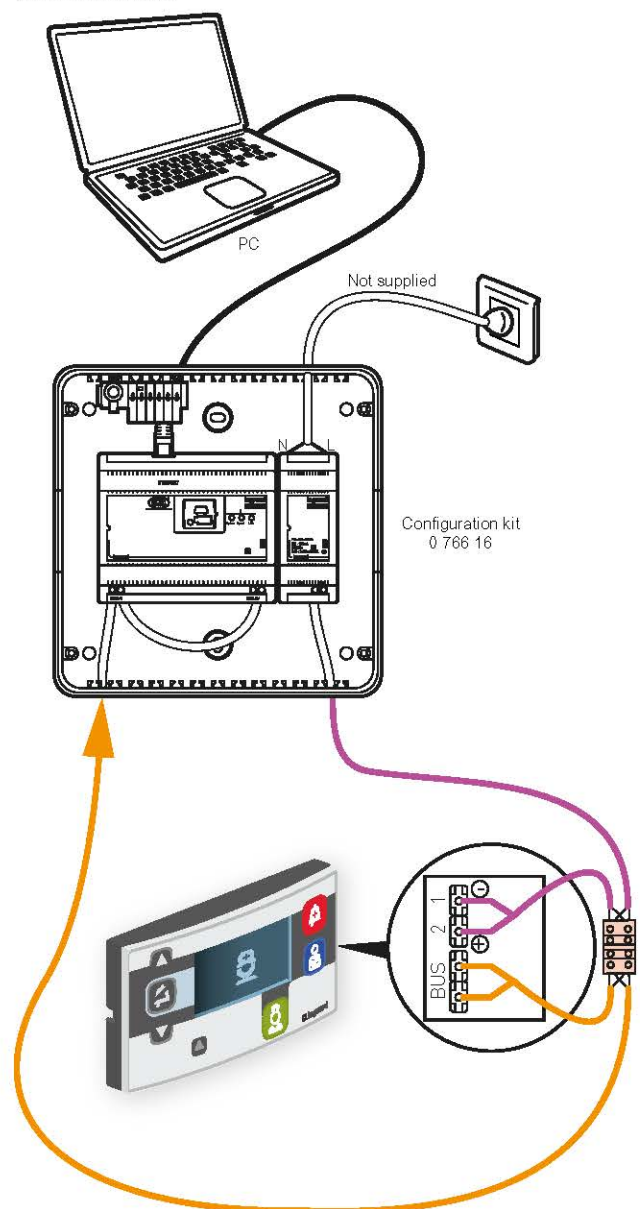
The PC will be linked to the interface via a data link (IP). The configuration kit should have a static IP address (192.168.1.35 by default).

Product replacement

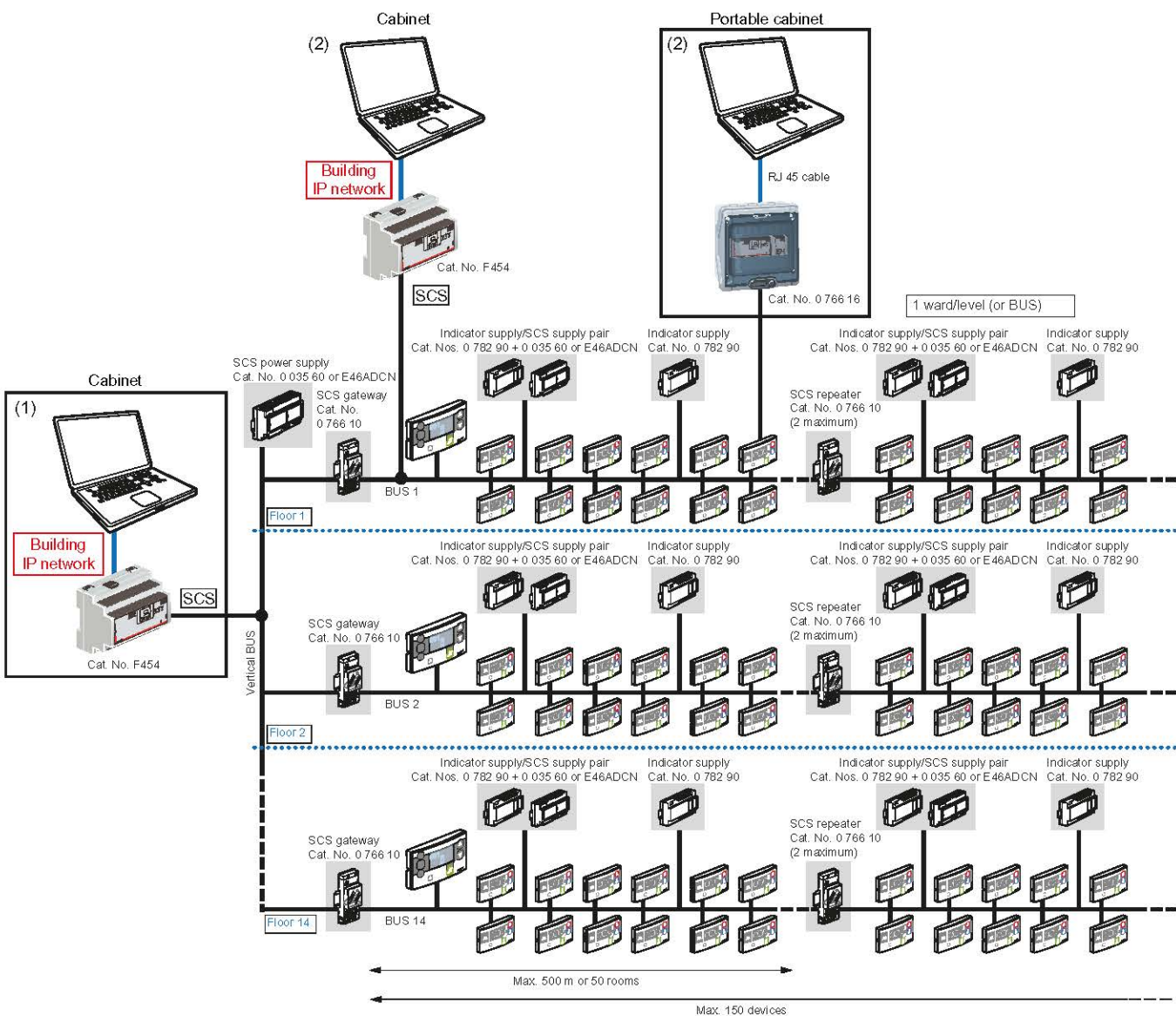
A faulty product should be replaced independently of the installation (see diagram opposite).

Refer to section: procedure for replacing a product.

Configuration independently of the installation (standalone)



Configuration on the installation



- (1) ⚠ Parameter setting prevents the whole building from working
- (2) ⚠ Disconnect gateway Cat. No. 0 766 10 from the floor. After this, parameter setting only prevents the floor concerned from working

Parameter setting (continued)

VIRTUAL DEVICE CONFIGURATION (CONTINUED)

Launching the Nurse Call Configurator

Change the PC to static IP address: 192.168.1.100 (recommended)
Once the Nurse Call Configurator software has started:

- Enter the IP address of configuration kit Cat. No. 0 766 16: 192.168.1.35 (by default)
- Enter the default interface password: 12345
- Choose the language
- If the interface does not have a static IP address, click the .Find on the system. button to find the interface

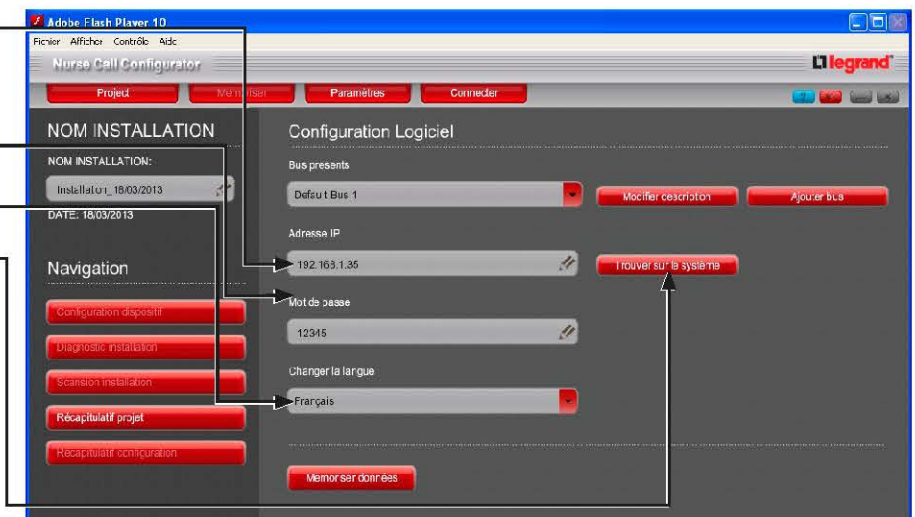
Once all the parameters have been entered

click 

or 


in the taskbar.

The PC is connected to the interface.

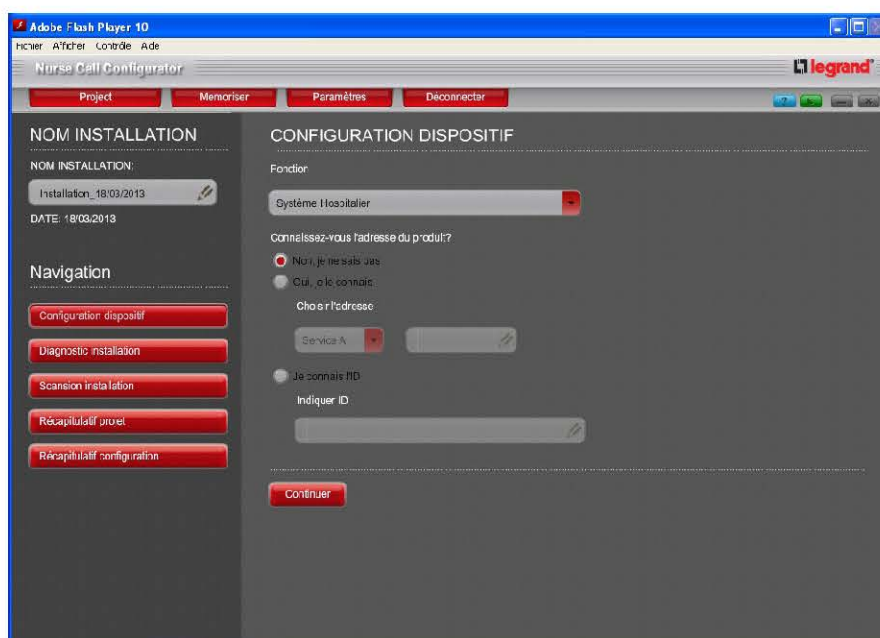


Device configuration

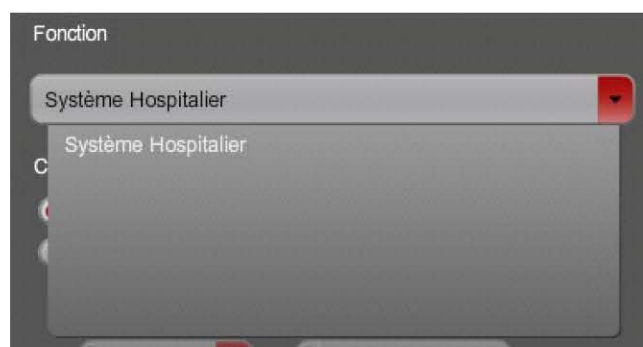


When a device has not been configured, the  icon flashes quickly.

In .Virtual Configurator, select



From the dropdown .Fonction. menu, select .Hospital System..



Parameter setting (continued)

VIRTUAL DEVICE CONFIGURATION (CONTINUED)

There are two possible solutions to find the device to be configured:

- Either the ID number on the back of the product
- Or pressing the green .Presence. button on the front of the device to be configured (recommended)

Je connais l'ID
Indiquer ID
000342F

Non, je ne sais pas

Once the device has been found, the next page is displayed:

- Identification = device name given in the software
- ID = ID of the device being configured
- Code = device catalogue number
- Configurateurs: configuration type (physical/virtual)
- Device type with indication of configuration status (yellow = not configured, green = configuration OK, red = configuration not OK)

CONFIGURATION DISPOSITIF

Identification: Dispositif
ID: 00010001
Code: 076607
Configurateurs: Virtuelle - Avancée

Description: Terminal de chambre à affichage
Connecté à: Bus principal

1 Bloc de porte à affichage

09:44

Annuler Configurer

To access device configuration, click the button opposite



Door unit Cat. Nos. 0 766 06/07:

- **Address** = device address. No. of ward the room is in and 0: address of the room which will be displayed according to the main nurses' control unit parameters.
 - **Source 1 (bed 1) present:** Yes/No
 - **Source 2 (bed 2) present:** Yes/No
 - **Bathroom:** Yes/No. Presence of a bathroom pull cord in the room.
 - **Biomedical contact:** Yes/No. Presence of a biomedical contact in the room.
 - **Corridor overdoor light unit:** Choice of colours in the corridor.
 - **Function code description:** Used to identify the room (blank field).
 - **Source 3 (bed 3) present:** Yes/No
 - **Source 4 (bed 4) present:** Yes/No
- Sources 3 and 4 should only be used with bed extension 0 782 19

- **Bathroom call hang-up mode:** if a pull cord is present, the call can be hung up via a PB in the bathroom or on the door unit

Once you have filled in all the fields, go to the next page



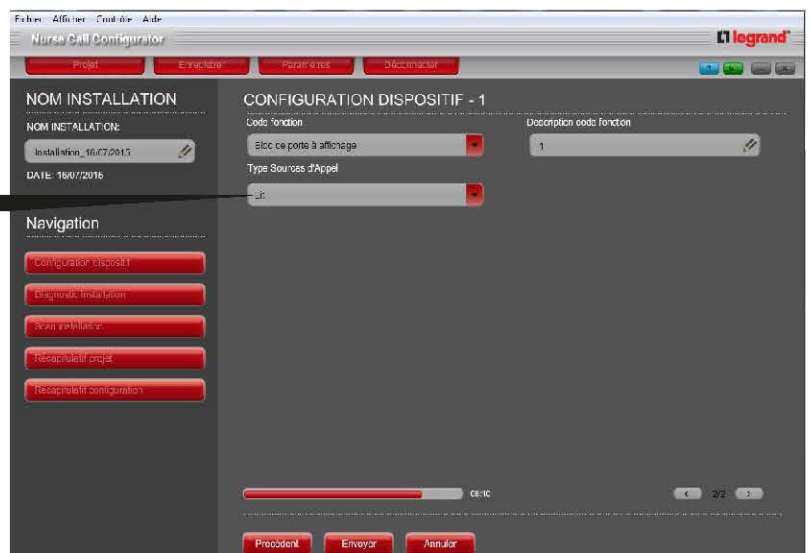
Parameter setting (continued)

VIRTUAL DEVICE CONFIGURATION (CONTINUED)

Door unit Cat. Nos. 0 766 06/07 (continued):



- **Undefined call source:** Surveillance of a door or specific room.
- **Bed:** Room with or without bathroom.
- **Bathroom:** Separate bathroom or shower.
- **Bed extension:** Bed extension for bed 3 and 4 with Cat. No. 0 782 19.
- **Bathroom extension:** Do not use.



Parameter-setting method:

Précédent = Back to previous menu

Envoyer = Sends the settings entered to the software for verification

Annuler = Factory reset for the device being configured


Click  The software analyses the settings



If the settings are OK, the device shows as green.



If the settings are not OK, a window opens with an error message

 Click  to finalise configuration and send the settings to the devices. Once the settings have been received, all the door unit indicators flash.

Note: In standalone mode, once the settings have been configured, the device triggers a call and buzzes

The various settings

Main nurses' control unit Cat. No. 0 766 11

- **Address** = device address. A: = Choice of ward (area) No.
Main nurses' control unit address = 000.
- **Number of floors:** Number of floors covered by the same ward.
- **No. of first room** = offset (difference between the device address and room no. displayed) from the room no. which will be displayed for the room with the SCS address = 1. The other room numbers will follow on.
- **No. of first floor** = offset from the first floor number. No. which will be displayed for the first floor in the ward.
- **Character type for the ward:** Letter/ Digit = ward number display mode.
- **Ward no. position:**
It should be possible to shift the number 1, 2 or 3 positions from the left (its initial position).
- **Function code description:** Used to identify the room (blank field).

Parameter setting (continued)

VIRTUAL DEVICE CONFIGURATION (CONTINUED)

Examples of room numbering depending on the parameter setting of nurses' control unit Cat. No. 0 766 11.

 The SCS address range is from no. 1 to no. 169.

1. Setting the nurses' control unit parameters for one ward per floor (the ward only has one floor):

Ward 0 located on the ground floor: Room numbers from 0020 to 0189	
Parameter	Value
Address	A/000
Number of floors	1
First room no.	19
First floor no.	0
Character type for the ward	Digit
Ward no. position	0

Ward 1 on the 1st floor: Room numbers from 1001 to 1170	
Parameter	Value
Address	B/000
Number of floors	1
First room no.	0
First floor no.	0
Character type for the ward	Digit
Ward no. position	0

2. Setting the nurses' control unit parameters for several wards on the same floor:

Ward 0 on the 2nd floor: Room numbers from 2020 to 2098	
Parameter	Value
Address	A/000
Number of floors	1
First room no.	19
First floor no.	2
Character type for the ward	Digit
Ward no. position	1

Ward 1 on the 2nd floor: Room numbers from 2101 to 2199	
Parameter	Value
Address	B/000
Number of floors	1
First room no.	00
First floor no.	2
Character type for the ward	Digit
Ward no. position	1

3. Setting the nurses' control unit parameters for one ward extending over several floors:

Ward 2 with 3 levels: Room numbers from 2301 to 2399/2400 to 2499/2530 to 2599	
Parameter	Value
Address	C/000
Number of floors	1
First room no.	00
First floor no.	3
Character type for the ward	Digit
Ward no. position	0

Ward 2 with 3 levels: Room numbers from 3320 to 3399/4320 to 4399/5320 to 5399	
Parameter	Value
Address	C/000
Number of floors	1
First room no.	19
First floor no.	3
Character type for the ward	Digit
Ward no. position	1

Anti-wandering system: Cat. No. 0 766 22
connected on door unit Cat. No. 0 766 06

- **Address:** Device address.
No. of ward to which the door being monitored belongs and 0: device SCS address (adjacent device: start with 169 and go down).
- **Access number:** Number of door displayed
- **Function code description:** Used to identify the room (blank field).

CONFIGURATION DISPOSITIF - 1

<p><small>Code fonction</small></p> <div style="border: 1px solid #ccc; padding: 2px; margin-bottom: 5px;">Système anti errance ▼</div> <p><small>Adresse</small></p> <div style="display: flex; align-items: center; margin-bottom: 5px;"> <div style="border: 1px solid #ccc; padding: 2px; flex: 1;">Service O ▼</div> <div style="border: 1px solid #ccc; padding: 2px; flex: 1; margin-left: 5px;">0 ✎</div> </div> <p><small>numéro accès</small></p> <div style="border: 1px solid #ccc; padding: 2px; margin-bottom: 5px;">numéro accès: 9 ▼</div>	<p><small>Description code fonction</small></p> <div style="border: 1px solid #ccc; padding: 2px; margin-bottom: 5px;">109 ✎</div>
--	---

Parameter setting (continued)


VIRTUAL DEVICE CONFIGURATION (CONTINUED)

Corridor display unit:

Cat. Nos. 0 766 04/0 766 05

In independent configuration of the installation (standalone), the device must be connected to the BUS and to power supply terminals 1 and 2.

- **Address:** Device address.
No. of ward to which the corridor display unit belongs and 0: device SCS address (adjacent device: start with 169 and go down).
- **Buzzer enabled:** Yes/No. Used to make the display unit buzzer sound when a call is made.
- **Function code description:** used to identify the room (blank field).




CONFIGURATION DISPOSITIF - 1

Code fonction	Afficheur de couloir	Description code fonction	17
Adresse	Service A 098		
Buzzer activé	Oui		

Secondary control unit: Cat. No. 0 766 09

- **Address:** Device address.
No. of ward to which the secondary control unit belongs and 0: device SCS address (adjacent device: start with 169 and go down).
- **Function code description:** Used to identify the room (blank field).



CONFIGURATION DISPOSITIF - 1

Code fonction	Pupitre secondaire	Description code fonction	109
Adresse	Service O 090		
Buzzer activé	Oui		

Traceability interface: Cat. No. 0 766 17

In independent configuration of the installation (standalone), the device must be connected to the BUS and to power supply terminals 1 and 2.

- **Address:** Device address.
No. of ward to which the traceability interface belongs and 0: device SCS address (adjacent device: start with 169 and go down).
- **Full memory management mode:** either overwrite the oldest events/or stop recording.
- **Function code description:** Used to identify the room (blank field).

SCS BUS/SCS interface: Cat. No. 0 766 10 (the device ID is obligatory for parameter setting).

To configure the interface, the device must be connected to the IN BUS and OUT BUS with 2 different BUS/SCS power supplies.

Gateway mode

Repeater mode

- **Address:** Device address.
No. of ward to which the gateway belongs and 0: device SCS address (adjacent device: start with 169 and go down).
- **Function code description:** Used to identify the room (blank field).

Parameter setting (continued)

VIRTUAL DEVICE CONFIGURATION (CONTINUED)

DECT interface Cat No. 0 766 19

In independent configuration of the installation (standalone), the device must be connected to the BUS and to power supply terminals 1 and 2.

- **Address:** Device address.
No. of ward to which the DECT interface belongs and 0: device SCS address (adjacent device: start with 169 and go down).
- **DECT no. xxxxx:** Corresponds to the call number in the ESPA 4.4.4 frame linked to a type of event.
- **Function code description:** Used to identify the room (blank field).

CONFIGURATION DISPOSITIF - 1

Code fonction	Description code fonction
Interface DECT	43
Adresse	
Service B	169
N° DECT pour Urgence (0=non transmit)	N° DECT pour appel patient (0=non transmit)
2	1
N° DECT pour Biomedical (0=non transmit)	N° DECT pour Alarme (0=non transmit)
0	3
N° DECT pour default système (0=non transmit)	N° DECT pour anti erance (0=non transmit)
0	0
	N° DECT pour saturation (0=non transmit)
	0

Information feedback interface Cat. No. 0 766 78

In independent configuration of the installation (standalone), the device must be connected to the BUS.

- **Address:** Device address.
No. of ward to which the information feedback belongs and 0: device SCS address.
- **Relay management mode:** External buzzer (audible feedback)/Generic load (indicator feedback).
- **Simple call management:** Yes/No.
- **Emergency call management:** Yes/No.
- **Alarm call management:** Yes/No.
- **Associated device:** Yes/No.
No: Call feedback from the whole ward in order of importance.
Yes: Call feedback from a single door unit in the ward.
- **Associated device address:** Address of door unit to be associated.

CONFIGURATION DISPOSITIF - 1

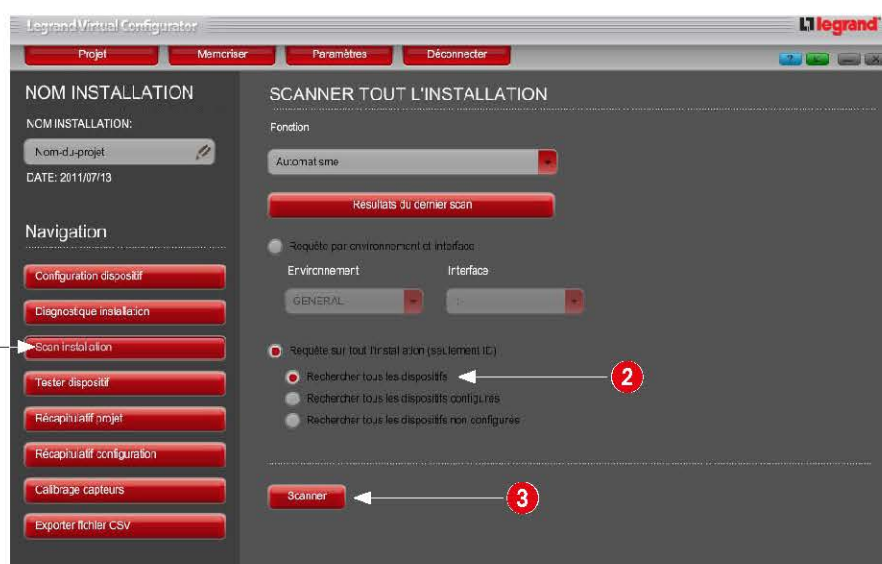
Code fonction	Description code fonction
Actionneur Universel	1
Adresse	
Service A	0
Modalité gestion relais	La gestion d'Appel simple
External Buzzer	Oui
La gestion d'Appel d'urgence	La gestion d'Appel alarme
Oui	Oui
Dispositif associé	Adresse de dispositif associé
Oui	0

Project backup

During building maintenance, all the device configurations need to be backed up (in case the parameters are reset or the devices are replaced).

• **Procedure:** Run a full scan of the installation

- 1 Go to Scan installation
- 2 Select Request for the whole installation/Search all devices
- 3 Launch the scan



A message appears to warn that the nurse call system will not work during parameter setting.



- 4 Check that the total number of scanned devices corresponds to the number of devices installed on the BUS (eg: x/4 hence 4 BUS devices in the installation).




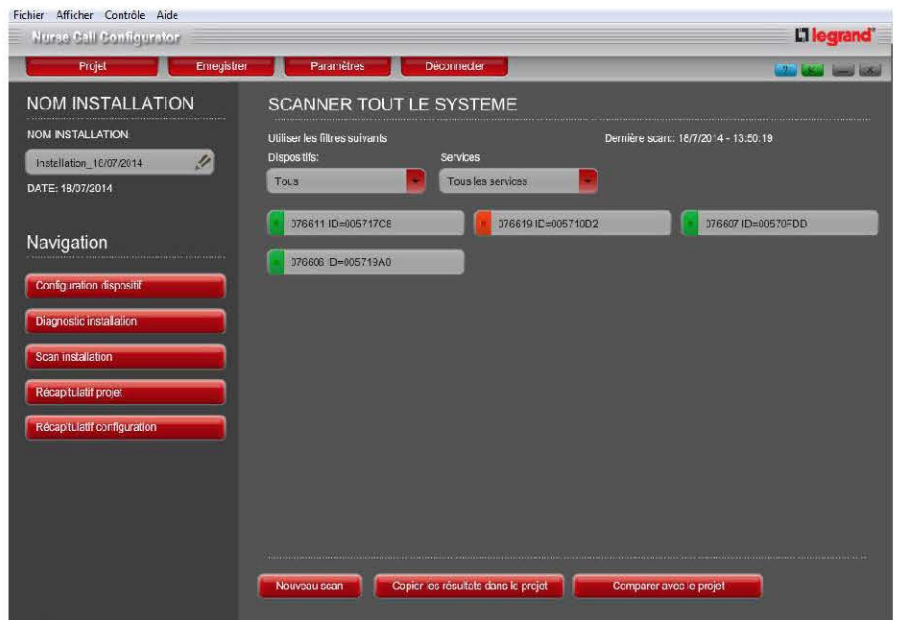
Parameter setting (continued)



VIRTUAL DEVICE CONFIGURATION (CONTINUED)

The scan result is displayed.

Each device appears by its catalogue number and ID number.

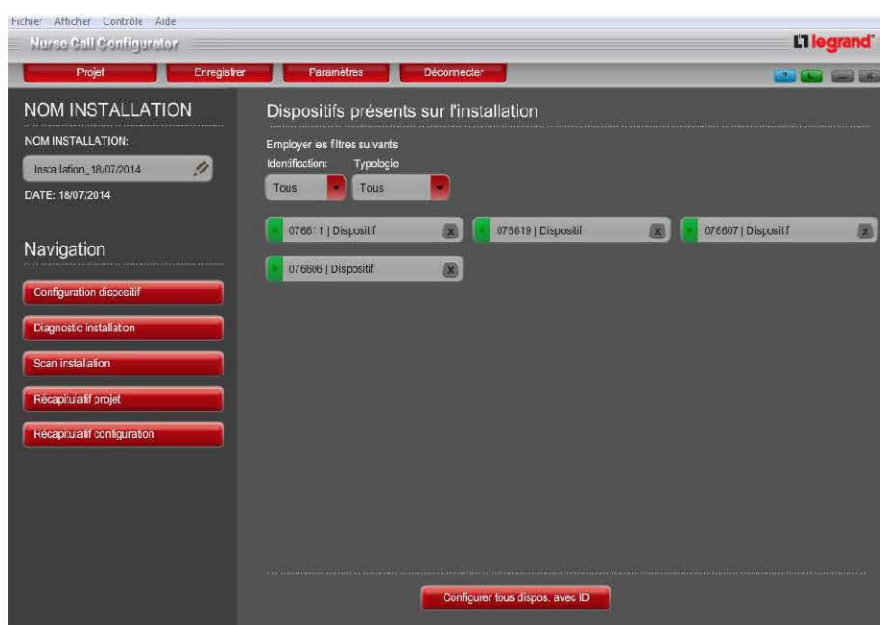
 At this stage, do not save the project. If you save it, the file will be empty.



5 At the end of the scan, copy the results into the project (select  then ).

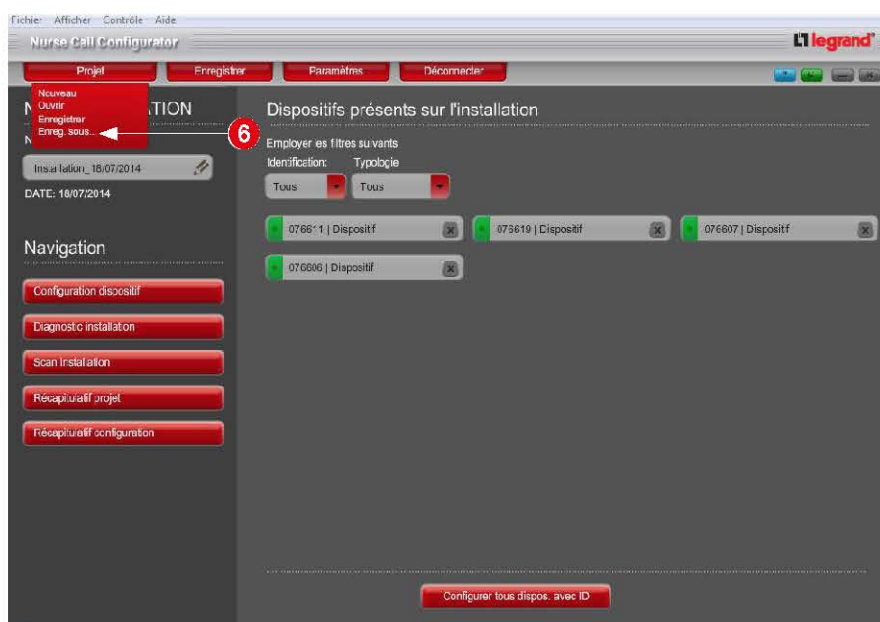


Once copying is complete, the ID numbers no longer appear. To make them appear, place the mouse arrow on a device (a label is displayed).



6 Save by going to Project/ Save As...

This save operation allows you to find the device configuration in the installation.



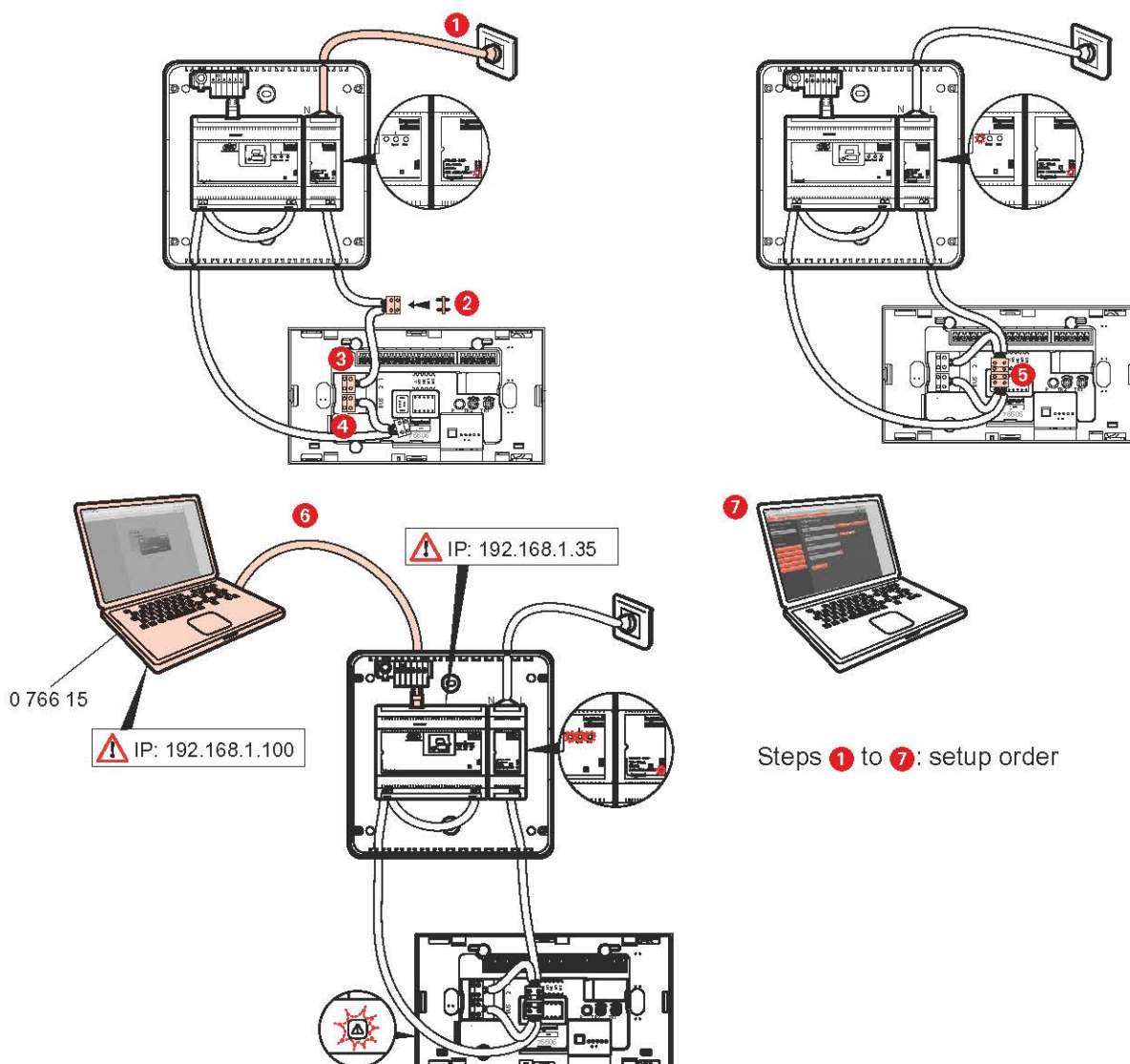
NOTE: Legrand recommends that you restart the program and open the backup file to check that it has saved properly.

Procedure for replacing a faulty BUS/SCS product in virtual configuration

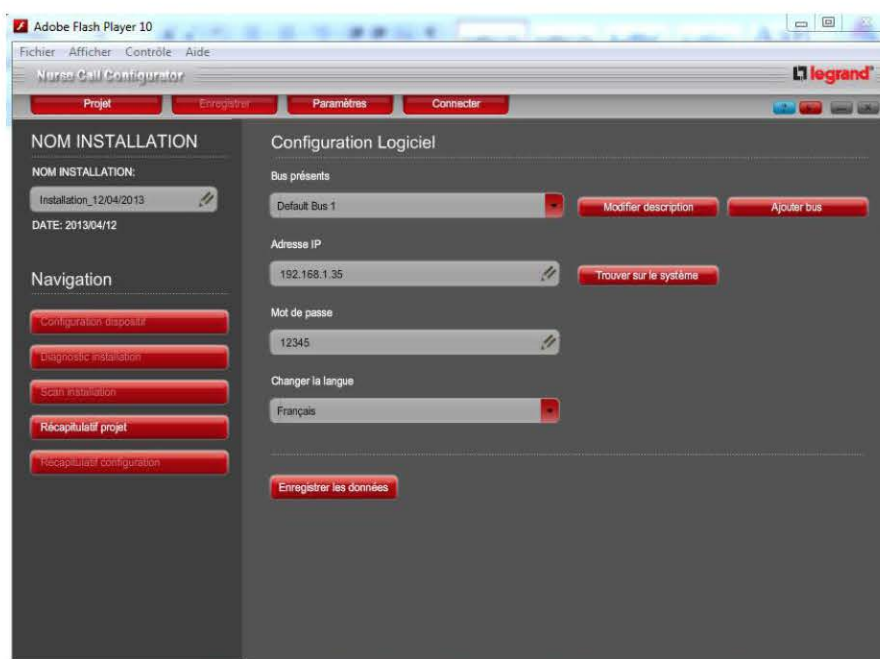
PROCEDURE INDEPENDENT OF THE INSTALLATION (STANDALONE)

⚠ NB: A device must be replaced by a device with the same catalogue number.
The new device must have a production date after 12W26

- ① Record the ID number of the faulty device in the ward
- ① Record the ID number of the new device
- ③ Connect the PC to the new device using configuration kit Cat. No. 0 766 16



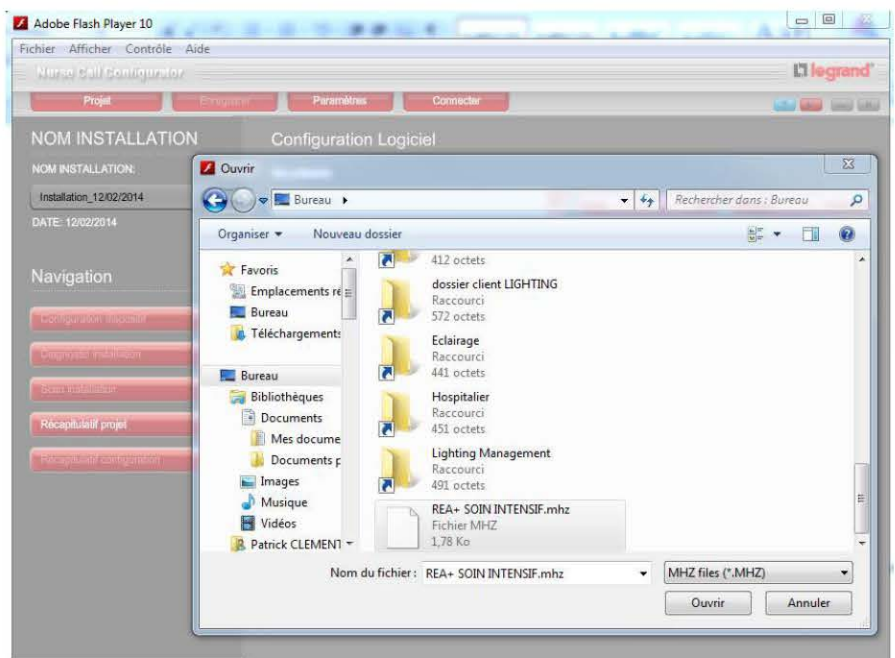
- ④ Launch the Nurse Call Configurator software
Cat. No. 0 766 15



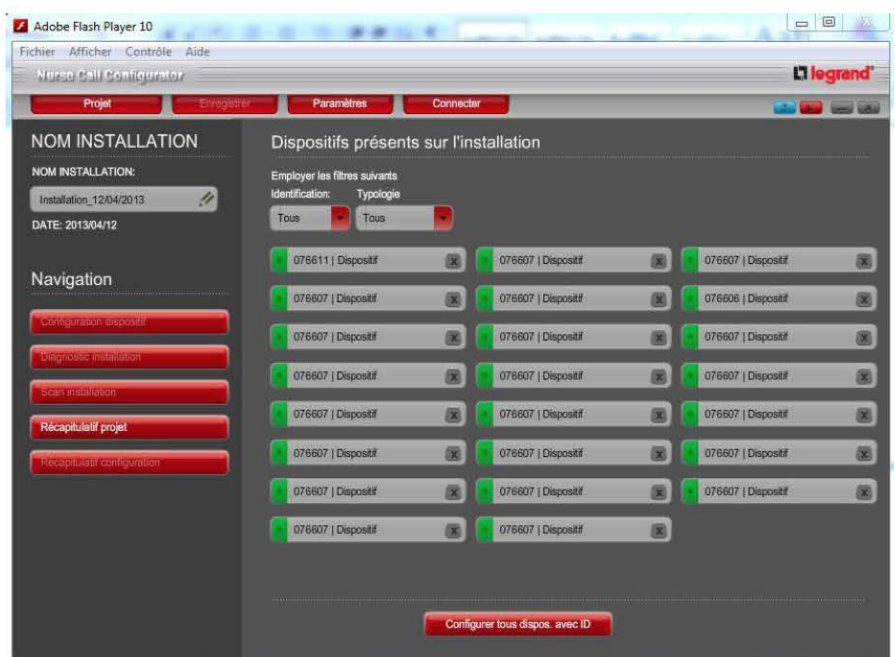
Procedure for replacing a faulty BUS/SCS device in virtual configuration (continued)

PROCEDURE INDEPENDENT OF THE INSTALLATION (STANDALONE) (CONTINUED)

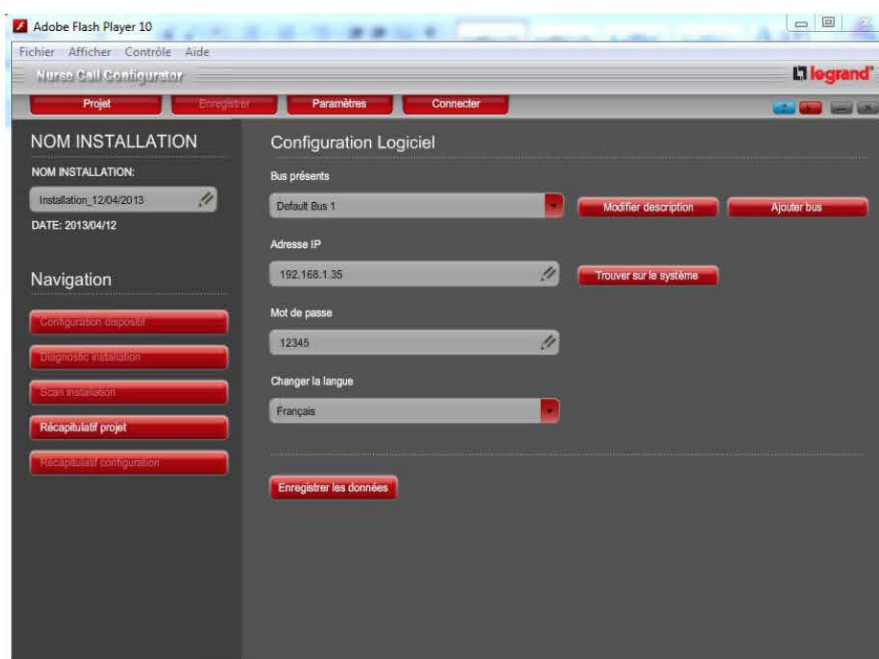
- ⑤ Click on the "Project" tab, then "Open" and open the installation backup file (.mhz file)



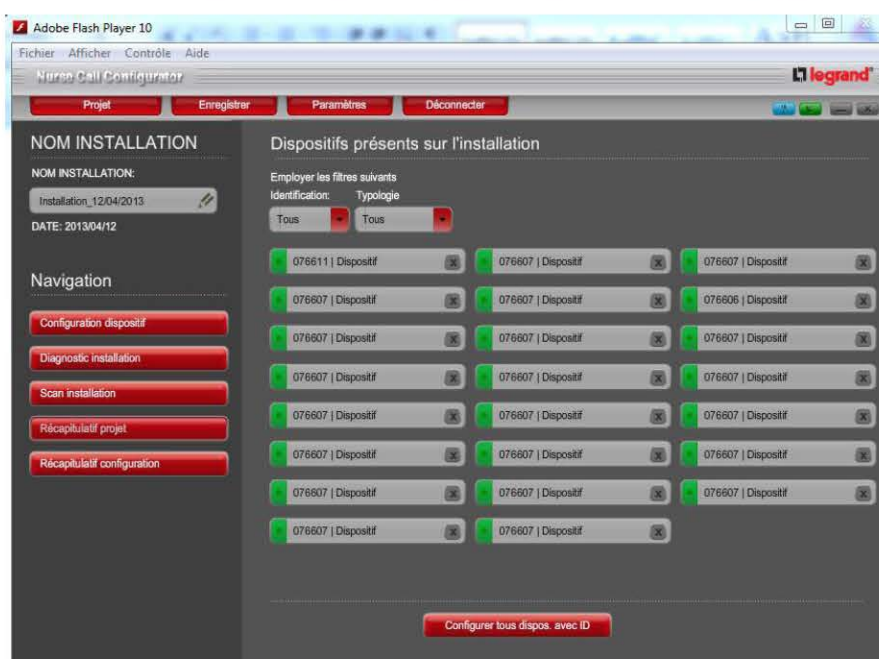
- ⑥ The file opens on the page with all the devices in the installation. Click on the "Settings" tab to access the configuration page for connection to the kit



- ⑦ Enter the configuration kit IP address (192.168.1.35 by default and password 12345 by default) in order to connect the software to the system. Click on "Save data" to save changes then click on "Project summary"



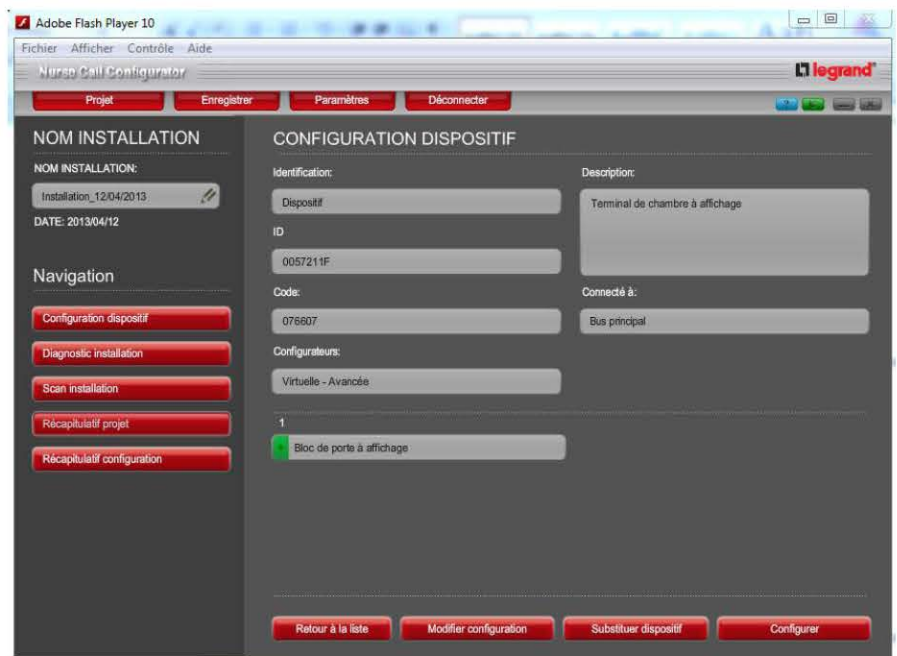
- ⑧ Select the faulty device using its ID number (to display the ID numbers, hover the mouse cursor over each device)



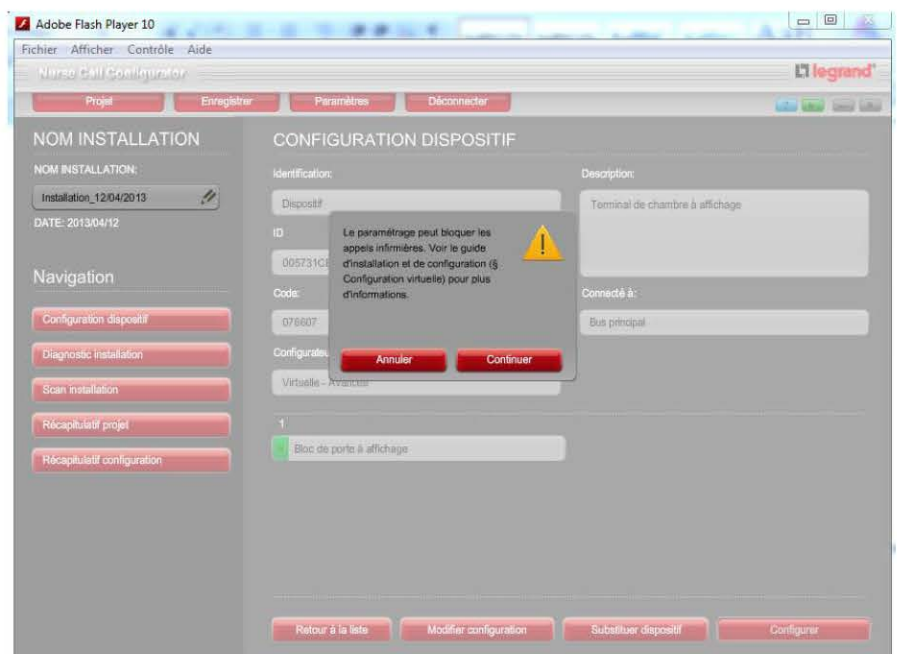
Procedure for replacing a faulty BUS/SCS device in virtual configuration (continued)

PROCEDURE INDEPENDENT OF THE INSTALLATION (STANDALONE) (CONTINUED)

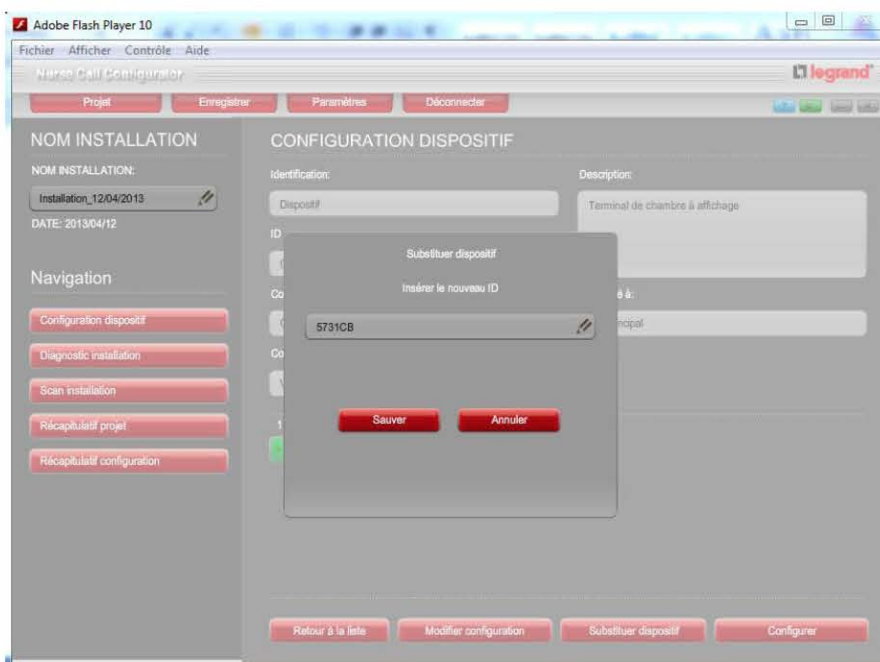
⑨ Click "Substitute device"



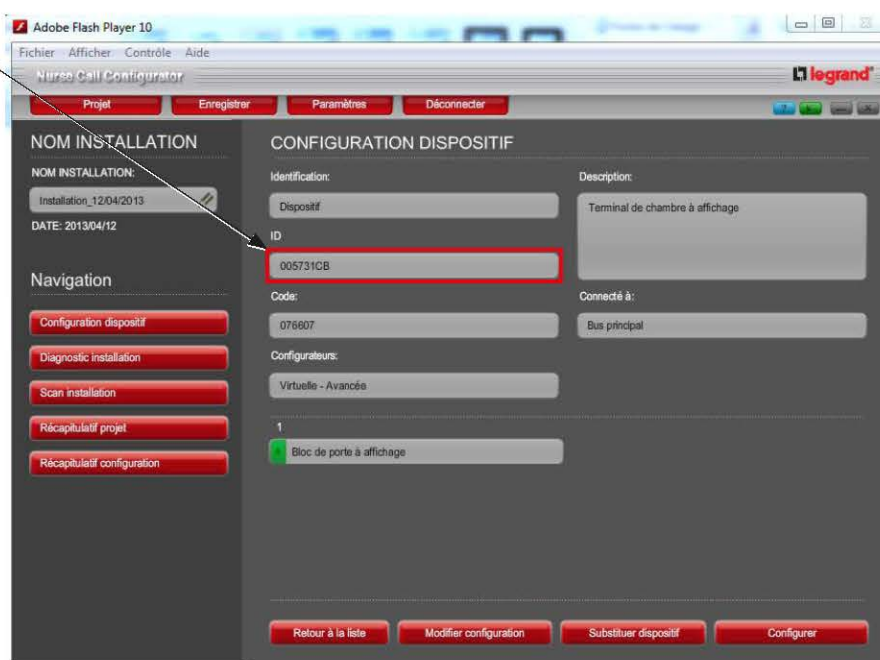
⑩ Click "Continue"



- ⑪ Enter the new device ID number, then save



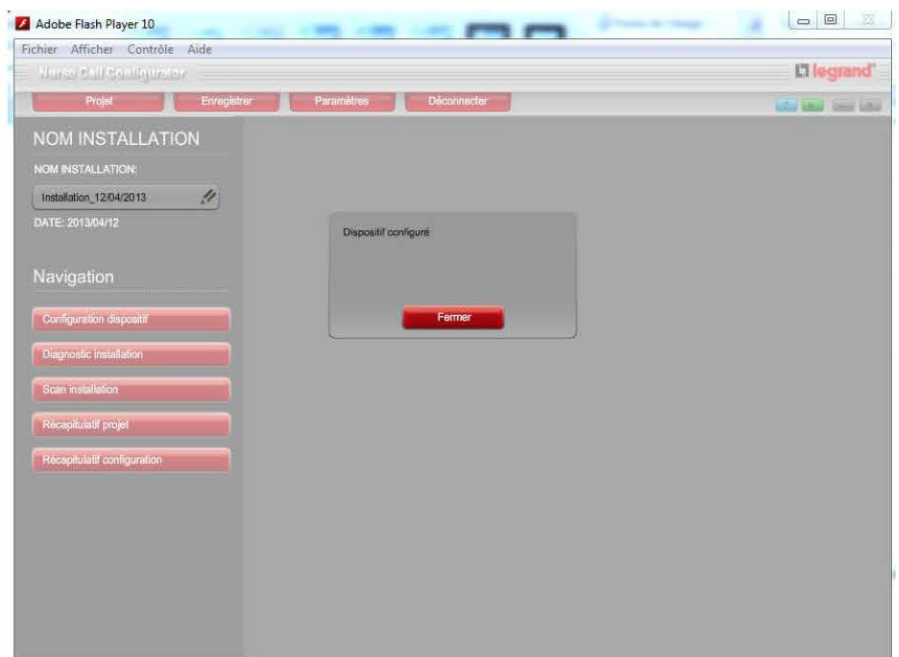
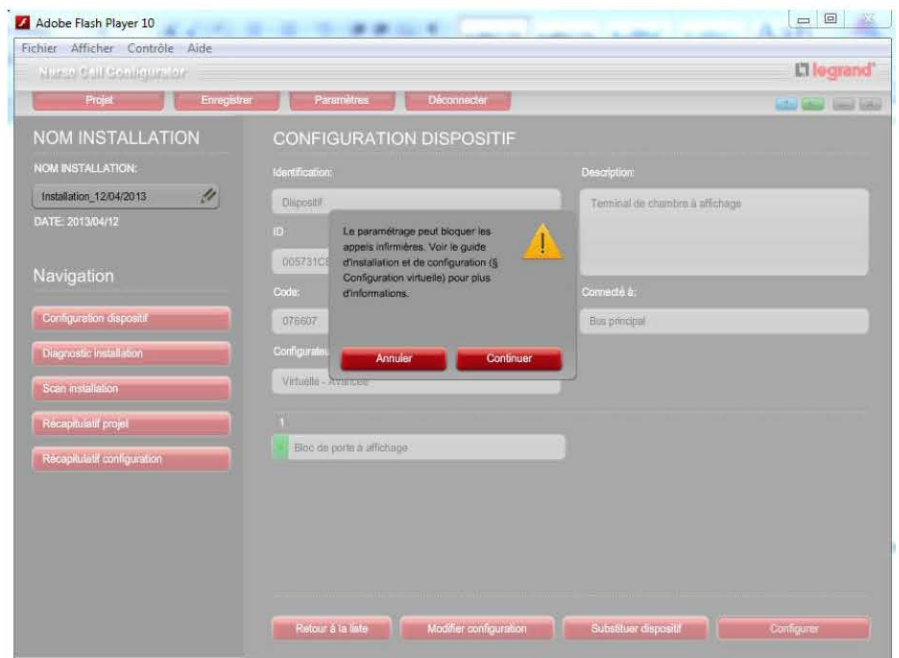
Check that the ID number has been updated, then click "Configure".



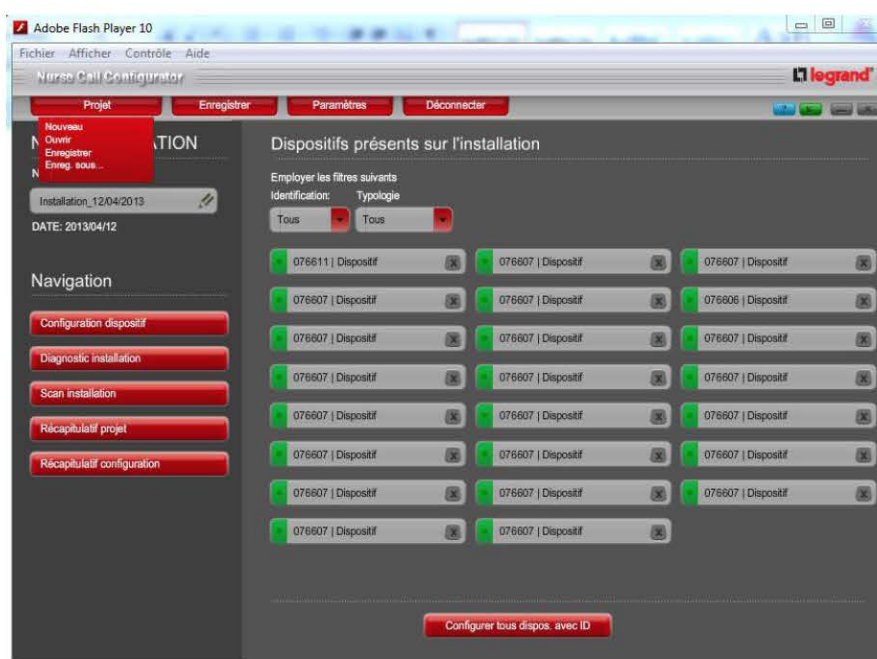
Procedure for replacing a faulty BUS/SCS device in virtual configuration (continued)

PROCEDURE INDEPENDENT OF THE INSTALLATION (STANDALONE) (CONTINUED)

A dialogue box opens. Click "Continue" then "Close"




- ⑫ Click "Project" then "Save as" to save the file (.mhz file)



- ⑬ Send the device programmed for its installation on site then install it instead of the faulty one
- ⑭ Check that the installation works

Commissioning

POWER-UP

 Do not fully clip on the units before commissioning is complete.

Recommendations (see p. 6)

- 1 Only connect one door unit and disconnect the indicator and bus power supplies from the other rooms (door unit).
- 2 Set the circuit breaker for the bus and indicator power supplies to ON.
- 3 Check that the green power indicator is on.
- 4 Configure the door unit as physical configuration (using configurators) or virtual configuration (software programming).
- 5 Test local operation of a room (hand-held remote control unit, call pull cord, corridor overdoor light unit and door unit).
- 6 Configure the nurses' control unit according to Cat. No. 0 766 11 (see virtual configuration of nurses' control unit Cat. No. 0 766 11 section) p. 132.
- 7 Issue a room recognition confirmation from the nurses' control unit.

SETTING UP A WARD

Change the language on the nurses' control unit



- Enter the configuration menu by pressing both scroll buttons at the same time.
- Use the arrows to select the **Install/Configuration** menu, then confirm using the green button.
- Select the **Language** tab and confirm, then use the arrows to select the desired language and confirm with the green button.

Exit the menu and return to the main menu



- Select the **Back** tab, then confirm with the green button.

Area (ward) recognition



- Use the arrows to select **Install/Configuration** in the main menu, then confirm with the green button.
- Now select the **Area Recognition** menu. Confirm with the green button.
- To start the recognition procedure, select **Start procedure**, then confirm with the green button.
- The progress bar shows the status of the procedure.
- Once the procedure has finished, check that all installed devices are present. To do so, use the arrows to select the panel and confirm using the green button.
- The unit can display addresses found for each type of device: use the arrows to select the type (RT, CD, WS, etc) and confirm using the green button.
- To return to the previous menu select **Back**, then confirm with the green button.

8 If the room is detected, reconnect and test the other rooms one at a time (see step 4).

9 Once all the rooms are connected, issue a ward recognition confirmation from the main nurses' control unit. Check that all rooms are present.

NS = Nurses' control unit Cat. No. 0 766 11

RT = Room unit Cat. Nos. 0 766 06/07

CD = Corridor display unit Cat. Nos. 0 766 04/05

WS = Anti-wandering unit Cat. No. 0 766 06

TRACE = Traceability interface Cat. No. 0 766 17

DECT = DECT interface Cat No. 0 766 19

GW = Gateway Cat. No. 0 766 10

2NS = Secondary nurses' control unit
Cat. No. 0 766 09

UA = Information feedback interface
Cat. No. 0 766 08

10 Check overall operation.

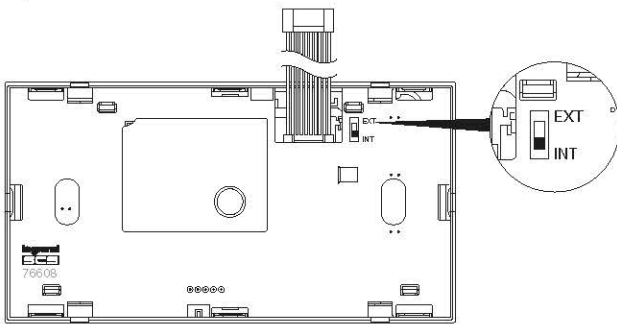
11 Clip on all the door units.

Commissioning (continued)

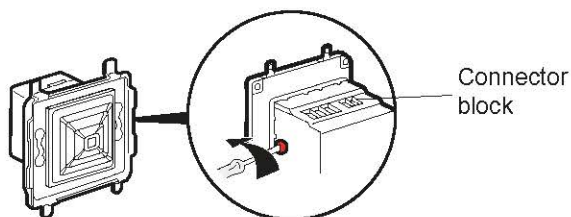
COMMISSIONING THE INTERPHONE

If the interphone unit is equipped with an external microphone

- Place the switch on the back of the device in the EXT position



- Clip on the interphone unit
- Set the microphone sensitivity to $\frac{3}{4}$ of the possible travel



Check the interphone unit connection

On the interphone unit for the door units of each room, the main nurses' control unit and secondary control units, increase and decrease the volume: the volume level should be displayed on the screen unit and should vary as the buttons are pressed.

If nothing is displayed, check the cable connections on the door unit and interphone unit (disconnect/reconnect).


Check local operation

- From the room interphone units and the main nurses' control unit, set the volume to 50%
- Tester 1 makes a call from the test room door unit
- From the main nurses' control unit, tester 2 answers the call by pressing the microphone button
- Inside the room, tester 1 stands where the patient would be
- Testers 1 and 2 make contact and talk to one another normally, without raising their voice
- The listening quality must be satisfactory for both of them
- On the main nurses' control unit, tester 2 presses the green button => the call and communication are cut off
- Repeat all the test steps for each room

The interphone system switches off automatically after 1 minute.

While a call is in progress, no other calls can be made.

Check general calls from the nurses' control unit to all the room door units

- On the main nurses' control unit interphone unit, press and hold down the general call button  until the indicators on the interphone module light up and speak => the sound should be heard on all the door unit and secondary control unit interphone units

Debugging

If the sound level is unsatisfactory

- Check the volume on the main nurses' control unit: it should be at 50%
- Increase or decrease the microphone sensitivity (external microphone)

If there is no sound

- Check the microphone wiring (external microphone)
- Check the cable wiring
- Check the position of the switch on the back of the module (ext or int)

If there is a problem with the general call

- Check the number of indicator power supplies (1 power supply Cat. No. 0 782 90 for 16 directions)

If there is a buzzing noise

- Check the BUS power supply catalogue number: it should be Cat. No. 0 634 35 or 346000

Commissioning (continued)

CONFIGURING FEEDBACK FROM THE WARDS

Configuring ward feedback



- Enter the configuration menu by pressing both scroll buttons at the same time.
- Use the arrows to select the **Install/Configuration** menu, then confirm using the green button.
- Select the **Ward groups** menu. Confirm with the green button.
- To start the recognition procedure, select **Start procedure**, then confirm with the green button.
- The progress bar shows the status of the procedure.
- Once the procedure is complete, select the wards to be grouped together (maximum of 3).
- To return to the previous menu select **Back**, then confirm with the green button.
- Carry out the same procedure for all wards that will be authorised to forward calls.

Remember to write down the wards to which calls can be forwarded on the memo sheet by the nurses' control unit (ward feedback).

COMMISSIONING THE DECT INTERFACE CAT. NO. 0 766 19

Physical configuration (configurators)

Configuration of the DECT interface Cat. No. 0 766 19:
Allows all messages to be forwarded over DECT (call, emergency, alarm and error)

A: indicates the area to which the device belongs
(0 to 9)

N1: indicates the device address (0 to 9)

N2: indicates the device address (0 to 9)

M1: type of message sent on the ESPA 4.4.4.

Example of interface configuration:

A = 1

N1 = 9

N2 = 9

M1 = 4

M1 config.	Error message	Alarm	Emergency	Call
1	✓	✗	✗	✗
2	✓	✓	✗	✗
3	✓	✓	✓	✗
4	✓	✓	✓	✓

T04

T03

T02

T01



Biomedical data is sent to T02.

Anti-wandering data is sent to T02.

If the M1 configurator is configured with jumper 3.

⚠ NB: Description of ESPA 4.4.4 frame : see next page 155 (Message sent in ESPA 4.4.4.)
and page 157 (ESPA frame sent via the interface Cat. No. 0 766 19)

Tip: Use the OCC program to check that the ESPA 4.4.4 protocol is working correctly.

Commissioning (continued)

COMMISSIONING THE DECT INTERFACE CAT. NO. 0 766 19 (continued)

Virtual configuration (software programming)

⚠ NB: - Parameter setting using configurator takes priority over software parameter setting

- The interface must always be configured as software version if the door unit SCS addresses are converted to display the room number corresponding to the one written on the door
- If the device has been configured as software version and then changed to configurator version and you want to go back to the software version then it must be reconfigured (it has lost its configuration)

DECT interface Cat No. 0 766 19

- **Address:** Device address.
No. of ward to which the DECT interface belongs: device SCS address (adjacent device: start with 169 and go down).
- **DECT no. xxxx:** Corresponds to the call number in the ESPA 4.4.4 frame linked to a type of event.

The screenshot shows a configuration interface titled "CONFIGURATION DISPOSITIF - 1". It contains several input fields for configuring a DECT interface. The fields are organized into two columns. The left column includes: "Code fonction" (set to "Interface DECT"), "Adresse" (set to "Service B" and "169"), "N° DECT pour Urgence (0=non transmit)" (set to "2"), "N° DECT pour Biomedical (0=non transmit)" (set to "0"), and "N° DECT pour default système (0=non transmit)" (set to "0"). The right column includes: "Description code fonction" (set to "43"), "N° DECT pour appel patient (0=non transmit)" (set to "1"), "N° DECT pour Alarme (0=non transmit)" (set to "3"), "N° DECT pour anti erance (0=non transmit)" (set to "0"), and "N° DECT pour saturation (0=non transmit)" (set to "0"). Each field has a small edit icon to its right.

- ⚠ NB:** Interface configured as software version in ESPA 4.4.4. frame, field T03. The codes sent are:
- T01 if the DECT no. has been set at 1
 - T02 if the DECT no. has been set at 2
 - T03 if the DECT no. has been set at 3
 - T08 if the DECT no. has been set at 8

Communication settings

- Speed: 9600 bauds
- Data bits: 7
- Parity: Even
- Stop bit: 1

COMMISSIONING THE DECT INTERFACE CAT. NO. 0 766 19 (continued)

Message sent in ESPA 4.4.4.



1 [ENQ]	2 [ENQ]	[ACK]	[SOH] 1 [STX]	1 [US] T03 [RS]	2[US]C002- !!! [RS]	6[US]1[RS]	4[US]3[RS]	3[US]7[ETX]	[ACK]	[EOT] [EOT] [EOT]
			Message type	Call no. = T03	Message to be transmitted: C002- !!!	Message priority = Normal	Call type = Standard	Audible signal type Beep coding = 7	2 responds	End of message

Example of message: **C002- !!!** To be read: high-level emergency in area C, room no. 002 from the door unit

Area no.	Room no.						Call source	Event
A	001	031	061	091	121	151	Empty (<i>door unit</i>)	Empty (<i>nothing</i>)
B	002	032	062	092	122	152	1 (<i>bed 1</i>)	! (<i>nurse call</i>)
C	003	033	063	093	123	153	2 (<i>bed 2</i>)	!! (<i>emergency call</i>)
D	004	034	064	094	124	154	W (<i>WC/bathroom</i>)	!!! (<i>high-level emergency call</i>)
E	005	035	065	095	125	155	B (<i>biomedical emergency</i>)	
F	006	036	066	096	126	156	P (<i>nurse present</i>)	
G	007	037	067	097	127	157	E (<i>system error</i>)	
H	008	038	068	098	128	158		
I	009	039	069	099	129	159		
J	010	040	070	100	130	160		
	011	041	071	101	131	161		
	012	042	072	102	132	162		
	013	043	073	103	133	163		
	014	044	074	104	134	164		
	015	045	075	105	135	165		
	016	046	076	106	136	166		
	017	047	077	107	137	167		
	018	048	078	108	138	168		
	019	049	079	109	139	169		
	020	050	080	110	140	170		
	021	051	081	111	141	171		
	022	052	082	112	142	172		
	023	053	083	113	143	173		
	024	054	084	114	144	174		
	025	055	085	115	145	175		
	026	056	086	116	146	176		
	027	057	087	117	147	177		
	028	058	088	118	148	178		
	029	059	089	119	149	179		
	030	060	090	120	150	180		

Commissioning (continued)

COMMISSIONING THE DECT INTERFACE CAT. NO. 0 766 19 (continued)

Event	Message										Description	
	A	0	0	1	-	P						
Nurse present	A	0	0	1	-	P						Nurse present in room A:001
Nurse call	A	0	0	1	-	#		!				Nurse call from source # in room A:001
Emergency call	A	0	0	1	-	#		!	!			Emergency call from source # in room A:001
Room high-level emergency call (code blue)	A	0	0	1	-			!	!	!		High-level emergency call  from room A:001
Bathroom high-level emergency call (code blue)	A	0	0	1	-	W		!	!	!		High-level emergency call  from bathroom in room A:001
Biomedical alarm	A	0	0	1	-	B		!	!			Biomedical emergency in room A:001
Escape alarm (start)	A	0	0	9	-	D		!	!			Escape alarm, door no. 9 in ward A
Escape alarm (end)	A	0	0	9	-	D	-					Acknowledgement of escape alarm, door no. 9 in ward A
System error (start)	A	0	0	1	-	E	+					System error in room A:001
System error (end)	A	0	0	1	-	E	-					System restored in room A:001
Hand-held control unit disconnected (start)	A	0	0	1	-	H	+					Hand-held remote control unit disconnected in room A:001
Hand-held control unit disconnected (end)	A	0	0	1	-	H	-					Hand-held remote control unit reconnected correctly in room A:001
BUS/SCS overload (start)	A-SCS overload+										BUS/SCS overload (communication) in ward A	
BUS/SCS overload (end)	A-SCS overload-										End of BUS/SCS overload (communication) in ward A	

 = empty  = space

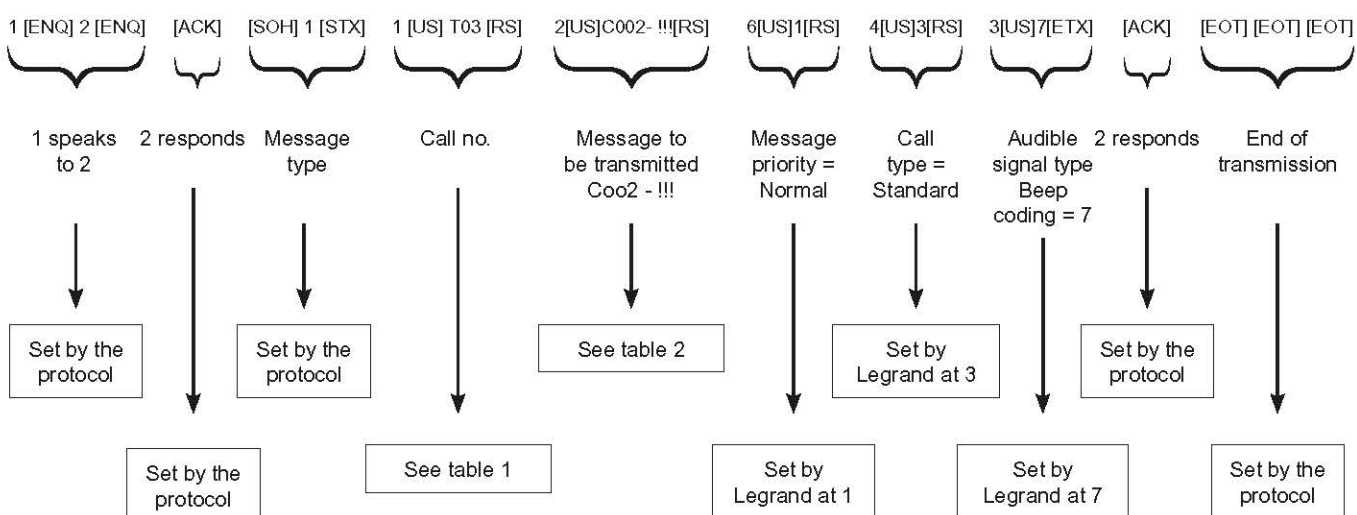
# = Call source	
Door unit	
Bed 1	1
Bed 2	2
Bed 3	3
Bed 4	4
WC/Bathroom	W

Note:

Discuss with the telephone coupler manufacturer. They can guide you based on the information contained in these last 2 pages. These manufacturers usually have a telephone helpline.

COMMISSIONING THE DECT INTERFACE CAT. NO. 0 766 19 (continued)

ESPA frame sent by interface Cat. No. 0 766 19



If physical configuration	
Patient call	T01
Emergency	T02
Alarm	T03
System error	T04
PRESENCE	Depending on the previous event Example: Simple call => T01 Presence => T01 Emergency => T02 Presence => T02 Alarm => T03 Presence => T03

If virtual configuration	
Patient call	Txxx
Emergency	Txxx
Alarm	Txxx
Biomedical call	Txxx
Anti-wandering	Txxx
System error	Txxx
Saturation	Txxx
Presence	Depending on the previous event

Xxx= Number recorded in the field corresponds in virtual configurator.

If xxx= 0, message not transmitted to the pabx.

Commissioning (continued)

COMMISSIONING THE TRACEABILITY INTERFACE CAT. NO. 0 766 17

Physical configuration (configurators)

Configuration of the traceability interface

Cat. No. 0 766 17

Used to memorise all events (up to 100,000) that happen in a ward.

A: indicates the area to which the device belongs
(0 to 9)

N1: indicates the device address (0 to 9)

N2: indicates the device address (0 to 9)

M1: operating mode when the interface memory is full
- 1: older records are overwritten by new ones
- 2: new records are suspended until old records
have been saved and deleted from the interface

M2: not in use

Example of interface configuration:

A = 1

N1 = 9

N2 = 8

M1 = 1

M2: not in use



Virtual configuration (software programming)

⚠ NB: - Parameter setting using configurators takes priority over software parameter setting

- The interface must always be configured as software version if the door unit SCS addresses are converted to display the room number corresponding to the one written on the door

- If the device has been configured as software version and then changed to configurator version and you want to go back to the software version then it must be reconfigured (it has lost its configuration)

Traceability interface: Cat. No. 0 766 17

In independent configuration of the installation (standalone), the device must be connected to the BUS and to power supply terminals 1 and 2.

• **Address:** Device address.

No. of ward to which the traceability interface belongs: device SCS address (adjacent device: start with 169 and go down).

• **Full memory management mode:**

Either overwrite the oldest events/or stop recording.

• **Function code description:** Used to identify the room (blank field).



The screenshot shows a configuration interface titled "CONFIGURATION DISPOSITIF - 1". It contains several fields and dropdown menus:

- Code fonction:** A dropdown menu set to "Interface traçabilité".
- Description code fonction:** A text input field containing the number "17".
- Adresse:** A section containing a dropdown menu set to "Service A" and a text input field containing "0".
- Modalité gestion mémoire pleine:** A dropdown menu set to "Éliminer les nouveaux événements".

• Example for a nursing home with 80 rooms

- Approximately 35,000 events per month
- Generates a backup file of approximately 2 MB
- The traceability interface must be backed up and emptied every 2 months
- Caution, after 2.5 months, data will be lost

• Example for a hospital ward with 30 rooms

- Approximately 13,000 events per month
- Generates a backup file of approximately 800 KB
- The traceability interface must be backed up and emptied every 6 months
- Caution, after 7 months, data will be lost

• **LEGRAND TIP:** Back up and empty the traceability interface once a month

Commissioning (continued)

COMMISSIONING THE TRACEABILITY SOFTWARE CAT. NO. 0 766 18

System requirements:

- PC with Pentium processor \geq 1 GHz
- RAM: 512 MB (XP) or 1 GB (Vista/7)
- SVGA graphics card with 800x600 pixels, 256 colours
- 500 MB of hard disk space available
- CD-ROM drive
- Mouse
- Windows XP (32-bit) Service Pack 2, Vista (32 and 64-bit), Windows 7 (32 and 64-bit)
- A spreadsheet compatible with .csv files (eg: Excel, etc)
- Microsoft .NET Framework 4.0

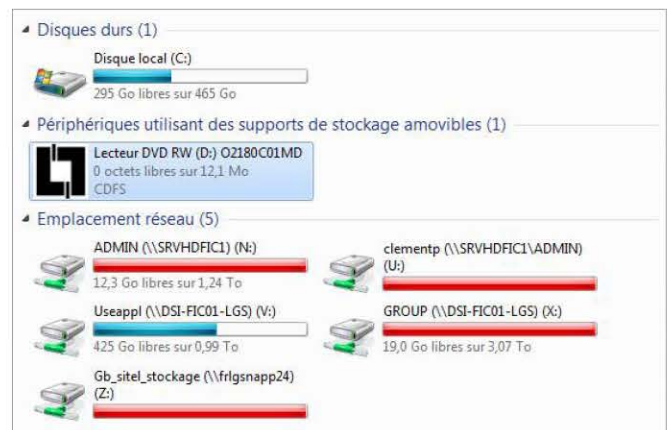
 You must have administrator rights to install the software.

Installing the software

Insert the CD in the PC drive.

If AutoRun begins, ignore it, close the window and proceed as follows:

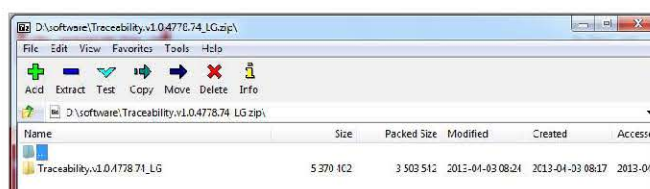
- Open the CD drive contents.



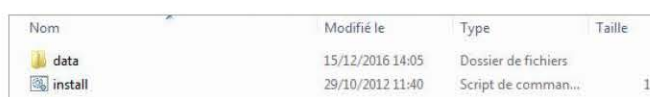
- Open the software directory.

Nom	Modifié le	Type	Taille
Fichiers actuellement sur le disque (8)			
css	10/04/2013 09:55	Dossier de fichiers	
img	10/04/2013 09:55	Dossier de fichiers	
pages	10/04/2013 09:55	Dossier de fichiers	
pdf	10/04/2013 09:55	Dossier de fichiers	
software	10/04/2013 09:55	Dossier de fichiers	
autorun	02/11/2011 10:16	Informations de c...	1 K
favicon	07/11/2006 14:45	Icône	3 K
Start	03/04/2013 09:31	Document HTML	3 K

- Copy the "Traceability" file to the hard disk, then unzip it.



- Open the folder and click Install.




- Create a program shortcut on the desktop:
 - Click on "Start" menu → "All programs" → "Legrand" → "Traceability"
 - Right-click on "Traceability", then click "Send to" → "Desktop (create a shortcut)"
 - Double-click on the "Traceability" shortcut to launch the program

- When the program is launched, the screen displays the Settings menu. At this stage the device is not yet connected, so it is only possible to click on "Network settings" and "Exit".



- Connect the traceability interface Cat. No. 0 766 17 to the PC using the USB/mini-USB cable supplied (mini-USB at interface end, USB at PC end).

 If you have any problems, refer to the manual supplied with the software.

Commissioning (continued)

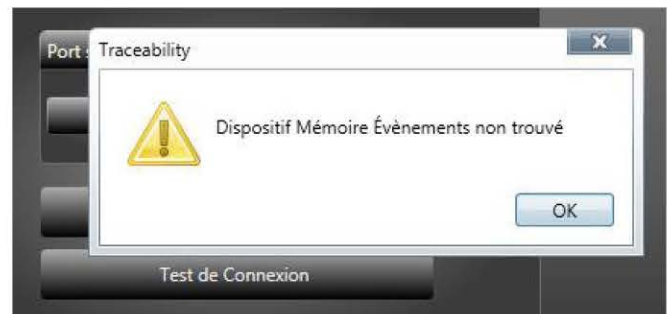
COMMISSIONING THE TRACEABILITY SOFTWARE CAT. NO. 0 766 18 (CONTINUED)

- Click on "Scan Ports".



- The software automatically assigns a port. If no port is found, an error message is displayed. In this case, connect the cable to a different USB port and try to scan the ports again.

Info: The connection test button is used to test the device connectivity on the selected port.



- Once the interface is connected to the software, all the icons will be accessible.



- Go to the Settings icon 

→ Set the date and time.

! The date and time must be set exactly the same as those of the building.



→ Configure the management policy for Full Memory. This parameter has already been set when configuring the traceability interface Cat. No. 0 766 17.

2 options:

- Physical configuration (configurators).
In this case, keep the same configuration.
- Virtual configuration (software programming).
In this case, ideally keep the configuration exactly the same. Otherwise, the traceability software configuration has priority.

- To find out how the software works, refer to the manual on the CD:
D:(O2180C01MD)\pdf\utente\O2180C_EN

Nom	Modifié le	Type	Taille
Fichiers actuellement sur le disque (2)			
O2180C_EN	03/04/2013 08:49	Adobe Acrobat D...	
O2180C_FR	02/04/2013 17:31	Adobe Acrobat D...	

! **NB:** To configure the RSS feed reader on a remote computer, use the address found in the bottom right of the window (this address appears once the feed is enabled) by replacing "localhost" with the IP address of the computer connected to traceability interface Cat. No. 0 766 17.



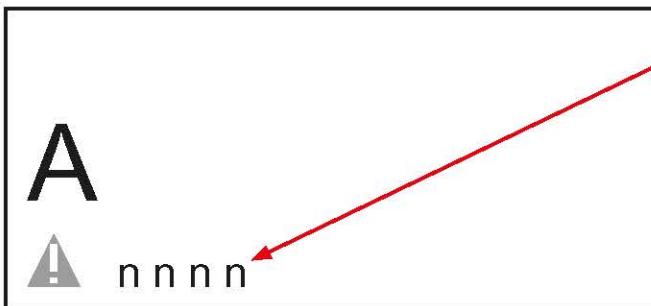
! If you have any problems, refer to the manual on the software CD.

Maintenance codes (visible on nurses' control unit) and software version



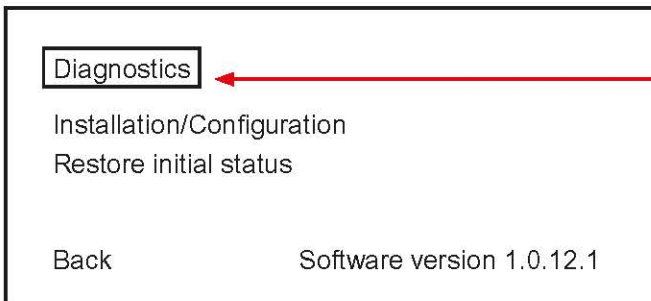
Software version and mechanical version: see last page of the guide.


NURSES' CONTROL UNIT DIAGNOSTICS



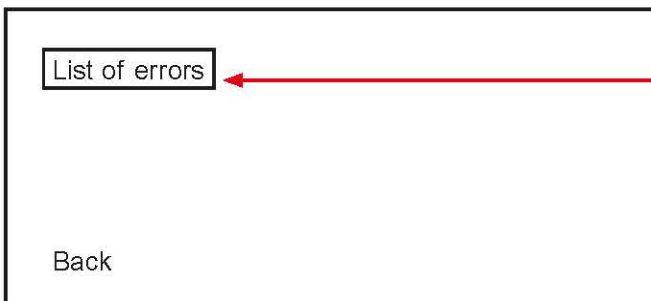
This symbol represents an anomaly within the ward. "nnnn" is the number of the room with a fault.


Press both buttons simultaneously to enter the nurses' control unit menu



Confirm by pressing 

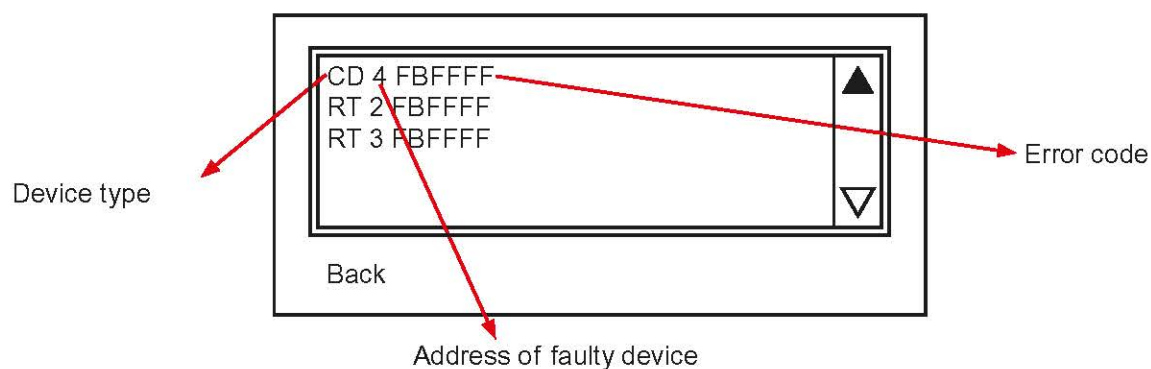
It will only be possible to view the details of errors after the area has been recognised.



Confirm by pressing 

Error message on corridor display unit

List of faulty devices visible on nurses' control unit



NS = Nurses' control unit Cat. No. 0 766 11

TRACE = Traceability interface Cat. No. 0 766 17

RT = Room unit Cat. Nos. 0 766 06/07

DECT = DECT interface Cat No. 0 766 19

CD = Corridor display unit Cat. Nos. 0 766 04/05

GW = Gateway Cat. No. 0 766 10

WS = Anti-wandering unit Cat. No. 0 766 06

2NS = Secondary nurses' control unit Cat. No. 0 766 09

Examples of error messages on corridor display unit

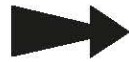
When "E" is displayed on the corridor display unit, consult the nurses' control unit to find out which device is faulty.

	Error in room no. 125
	Nurse present in room no. 125 + system error
	Call from bed 1 in room no. 125 + system error
	Secure wandering alarm on door no. 1 + system error

Maintenance codes (visible on nurses' control unit)



Error code
Cat. No. 0 766 11



Faulty nurses' control unit
Cat. No. 0 766 11

NURSES' CONTROL UNIT ERROR CODE

N	S	n	n	n	n	#	#	#	#	#	#
----------	----------	----------	----------	----------	----------	----------	----------	----------	----------	----------	----------

	If FF or F6: OK If 6F: faulty device. Other: faulty device. Call Legrand customer service.
--	--

F	Not in use
----------	------------

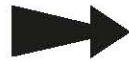
F	Not in use
----------	------------

F	OK
D,C,9,8,5,4,1,0	Indicator power supply error
B,A,9,8,3,2,1,0	BUS/SCS power supply error
7,6,5,4,3,2,1,0	Screen error
E,C,A,8,6,4,2,0	Memory error

F	OK
E,C,A,8,6,4,2,0	Interphone module error
D,B,9,7,5,3,1	Invalid code



Error code
Cat. No. 0 766 11



Faulty secondary control unit
Cat. No. 0 766 09

SECONDARY CONTROL UNIT ERROR CODE

2	N	S	n	n	n	n	#	#			#	#
---	---	---	---	---	---	---	---	---	--	--	---	---

F	OK
D,C,9,8,5,4,1,0	Indicator power supply error
B,A,9,8,3,2,1,0	BUS/SCS power supply error
7,6,5,4,3,2,1,0	Screen error
E,C,A,8,6,4,2,0	Memory error

F	OK
E,C,A,8,6,4,2,0	Interphone module error
D,B,9,7,5,3,1	Invalid code

F	Not in use
---	------------

F	Not in use
---	------------

	If FF or F6: OK If 6F: faulty device. Other: faulty device. Call Legrand customer service.
--	---

Maintenance codes (visible on the nurses' control unit) (continued)



Error code
Cat. No. 0 766 11



Faulty door unit
Cat. No. 0 766 07

or



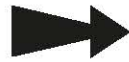
Faulty door unit
Cat. No. 0 766 06

DOOR UNIT ERROR CODE

R	T	n	n	n	n	#	#	#	#	#	#													
						<table border="1"> <tr> <td>E,C,A,8,6,4,2,0</td> <td>Bed 1 h/h r.c. unit LED error</td> </tr> <tr> <td>D,C,9,8,5,4,1,0</td> <td>Bed 2 h/h r.c. unit LED error</td> </tr> <tr> <td>B,A,9,8,3,2,1,0</td> <td>Bathroom pull cord LED error</td> </tr> <tr> <td>7,6,5,4,3,2,1,0</td> <td>Bed 1 h/h r.c. unit disconnected</td> </tr> <tr> <td>F</td> <td>OK</td> </tr> </table>	E,C,A,8,6,4,2,0	Bed 1 h/h r.c. unit LED error	D,C,9,8,5,4,1,0	Bed 2 h/h r.c. unit LED error	B,A,9,8,3,2,1,0	Bathroom pull cord LED error	7,6,5,4,3,2,1,0	Bed 1 h/h r.c. unit disconnected	F	OK	<table border="1"> <tr> <td>E,C,A,8,6,4,2,0</td> <td>Bed 2 h/h r.c. unit disconnected</td> </tr> <tr> <td>D,B,7,5,3,1</td> <td>Code not valid</td> </tr> <tr> <td>F</td> <td>OK</td> </tr> </table>		E,C,A,8,6,4,2,0	Bed 2 h/h r.c. unit disconnected	D,B,7,5,3,1	Code not valid	F	OK
E,C,A,8,6,4,2,0	Bed 1 h/h r.c. unit LED error																							
D,C,9,8,5,4,1,0	Bed 2 h/h r.c. unit LED error																							
B,A,9,8,3,2,1,0	Bathroom pull cord LED error																							
7,6,5,4,3,2,1,0	Bed 1 h/h r.c. unit disconnected																							
F	OK																							
E,C,A,8,6,4,2,0	Bed 2 h/h r.c. unit disconnected																							
D,B,7,5,3,1	Code not valid																							
F	OK																							
							<table border="1"> <tr> <td>E,C,A,8,6,4,2,0</td> <td>Memory error</td> </tr> <tr> <td>D,C,9,8,5,4,1,0</td> <td>Indicator power supply error</td> </tr> <tr> <td>B,A,9,8,3,2,1,0</td> <td>BUS/SCS error</td> </tr> <tr> <td>7,6,5,4,3,2,1,0</td> <td>Screen error (0 766 07)</td> </tr> <tr> <td>F</td> <td>OK</td> </tr> </table>	E,C,A,8,6,4,2,0	Memory error	D,C,9,8,5,4,1,0	Indicator power supply error	B,A,9,8,3,2,1,0	BUS/SCS error	7,6,5,4,3,2,1,0	Screen error (0 766 07)	F	OK							
E,C,A,8,6,4,2,0	Memory error																							
D,C,9,8,5,4,1,0	Indicator power supply error																							
B,A,9,8,3,2,1,0	BUS/SCS error																							
7,6,5,4,3,2,1,0	Screen error (0 766 07)																							
F	OK																							
						<table border="1"> <tr> <td>E,C,A,8,6,4,2,0</td> <td>Interphone module error</td> </tr> <tr> <td>D,C,9,8,5,4,1,0</td> <td>Red corridor lamp error</td> </tr> <tr> <td>B,A,9,8,3,2,1,0</td> <td>Green corridor lamp error</td> </tr> <tr> <td>7,6,5,4,3,2,1,0</td> <td>White corridor lamp error</td> </tr> <tr> <td>F</td> <td>OK</td> </tr> </table>	E,C,A,8,6,4,2,0	Interphone module error	D,C,9,8,5,4,1,0	Red corridor lamp error	B,A,9,8,3,2,1,0	Green corridor lamp error	7,6,5,4,3,2,1,0	White corridor lamp error	F	OK								
E,C,A,8,6,4,2,0	Interphone module error																							
D,C,9,8,5,4,1,0	Red corridor lamp error																							
B,A,9,8,3,2,1,0	Green corridor lamp error																							
7,6,5,4,3,2,1,0	White corridor lamp error																							
F	OK																							
						<p>If FF or F6: OK If 6F: faulty device. Other: faulty device. Call Legrand customer service.</p>																		



Error code
Cat. No. 0 766 11



Faulty corridor display unit
Cat No. 0 819 04 or 0 801 05

CORRIDOR DISPLAY UNIT ERROR CODE

C	D	n	n	n	n	#	#	#	#	#	#
---	---	---	---	---	---	---	---	---	---	---	---

If FF or F6: OK
If 6F: faulty device.
Other: faulty device.
Call Legrand
customer service.

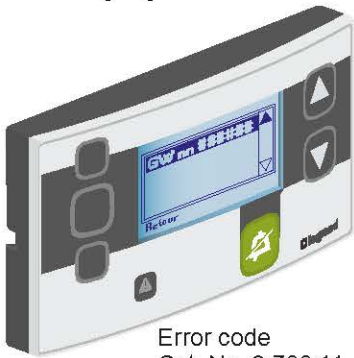
F Not in use

F Not in use

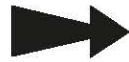
F	OK
D,C,9,8,5,4,1,0	Power supply error
B,A,9,8,3,2,1,0	BUS/SCS error
7,6,5,4,3,2,1,0	Display unit disconnected
E,C,A,8,6,4,2,0	Memory error

F Not in use

Maintenance codes (visible on the nurses' control unit) (continued)

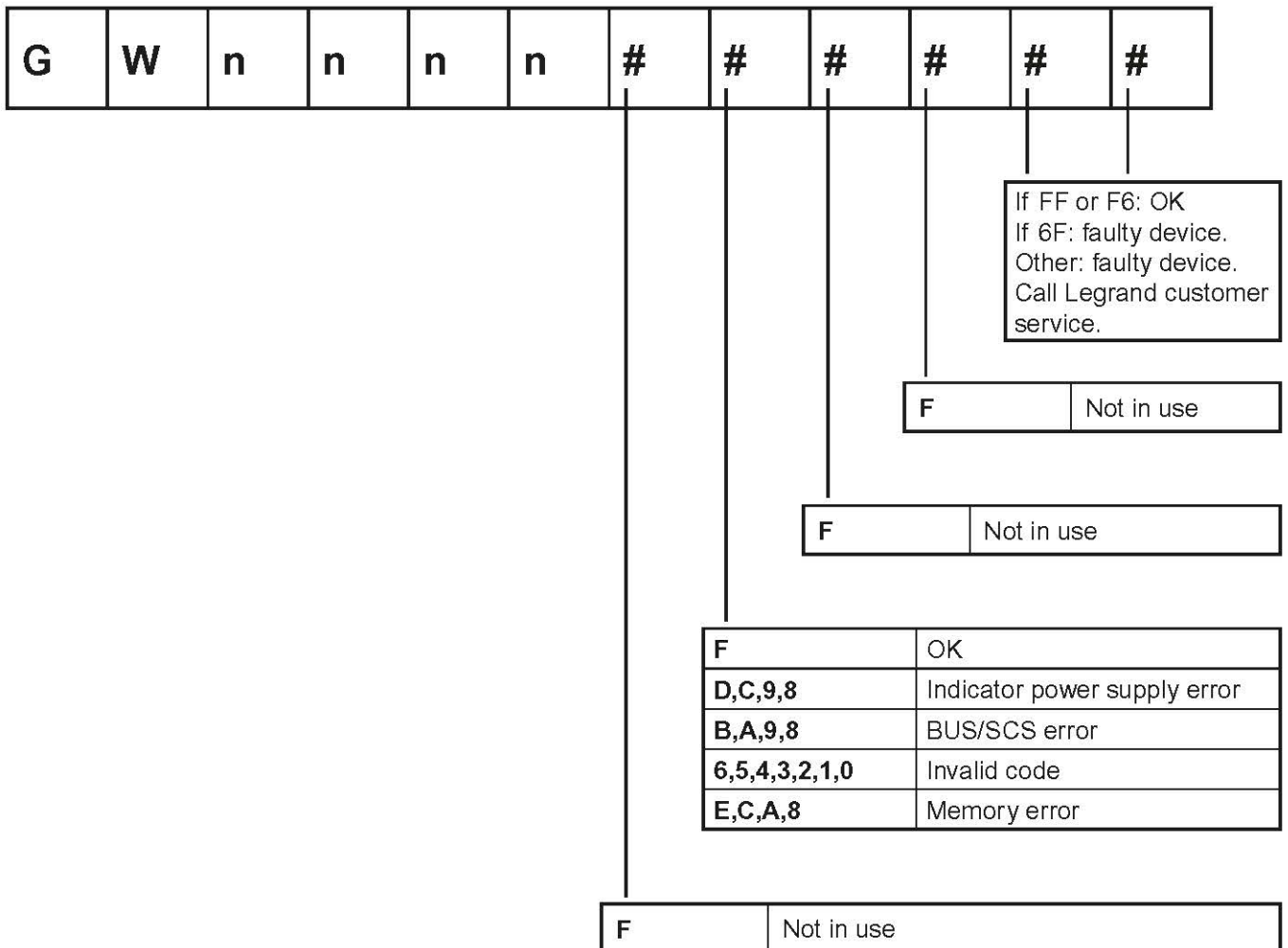


Error code
Cat. No. 0 766 11



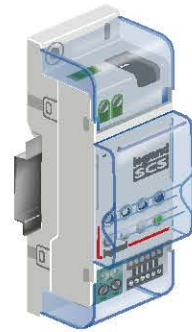
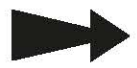
Faulty BUS/SCS extension
Cat. No. 0 770 10

BUS/SCS EXTENSION ERROR CODE



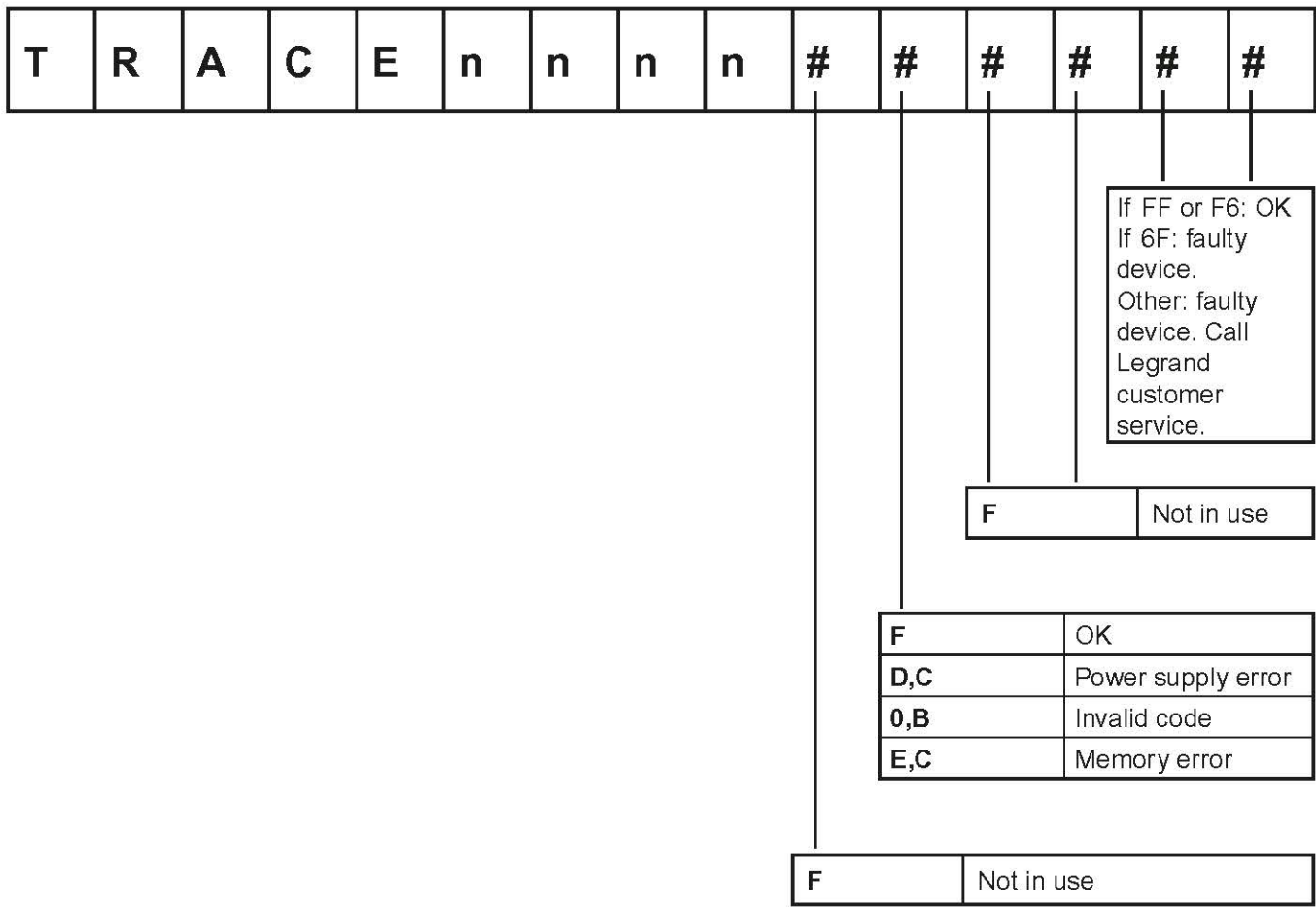


Error code
Cat. No. 0 766 11



Faulty traceability interface
Cat. No. 0 766 17

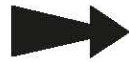
TRACEABILITY INTERFACE ERROR CODE



Maintenance codes (visible on the nurses' control unit) (continued)



Error code
Cat. No. 0 766 11



Faulty DECT interface
Cat. No. 0 766 19

DECT INTERFACE ERROR CODE

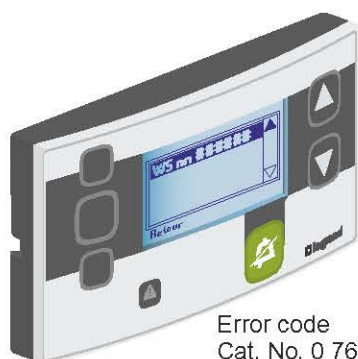
D	E	C	T		n	n	n	n	#	#	#	#	#	#
---	---	---	---	--	---	---	---	---	---	---	---	---	---	---

If FF or F6: OK
If 6F: faulty device.
Other: faulty device. Call Legrand customer service.

F	Not in use
---	------------

F	OK
D,C,9,8,5,4,1,0	Power supply error
B,A,9,8,3,2,1,0	BUS/SCS error
7,6,5,4,3,2,1,0	RS232 cable disconnected (no link with PABX)
E,C,A,8,6,4,2,0	Memory error

F	Not in use
---	------------



Error code
Cat. No. 0 766 11



Faulty door controller
Cat. No. 0 766 22

+



Faulty door unit
Cat. No. 0 766 06

DOOR CONTROLLER ERROR CODE

W	S	n	n	n	n	#	#	#	#	#	#
---	---	---	---	---	---	---	---	---	---	---	---

If FF or F6: OK
If 6F: faulty device.
Other: faulty device.
Call Legrand
customer service.

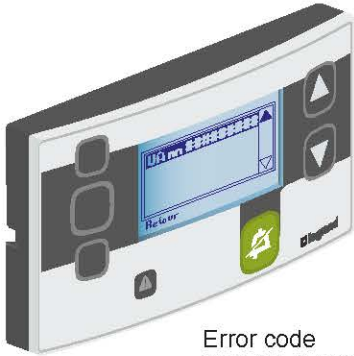
D	Alarm contact fault
F	OK

F	OK
---	----

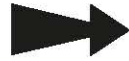
E,C,A,8,6,4,2,0	Memory error
D,C,9,8,5,4,1,0	Indicator power supply error
B,A,9,8,3,2,1,0	BUS/SCS error
7,6,5,4,3,2,1,0	Screen error (0 766 07)
F	OK

D,C,9,8,5,4,1,0	Red corridor lamp error
F	OK

Maintenance codes (visible on the nurses' control unit) (continued)

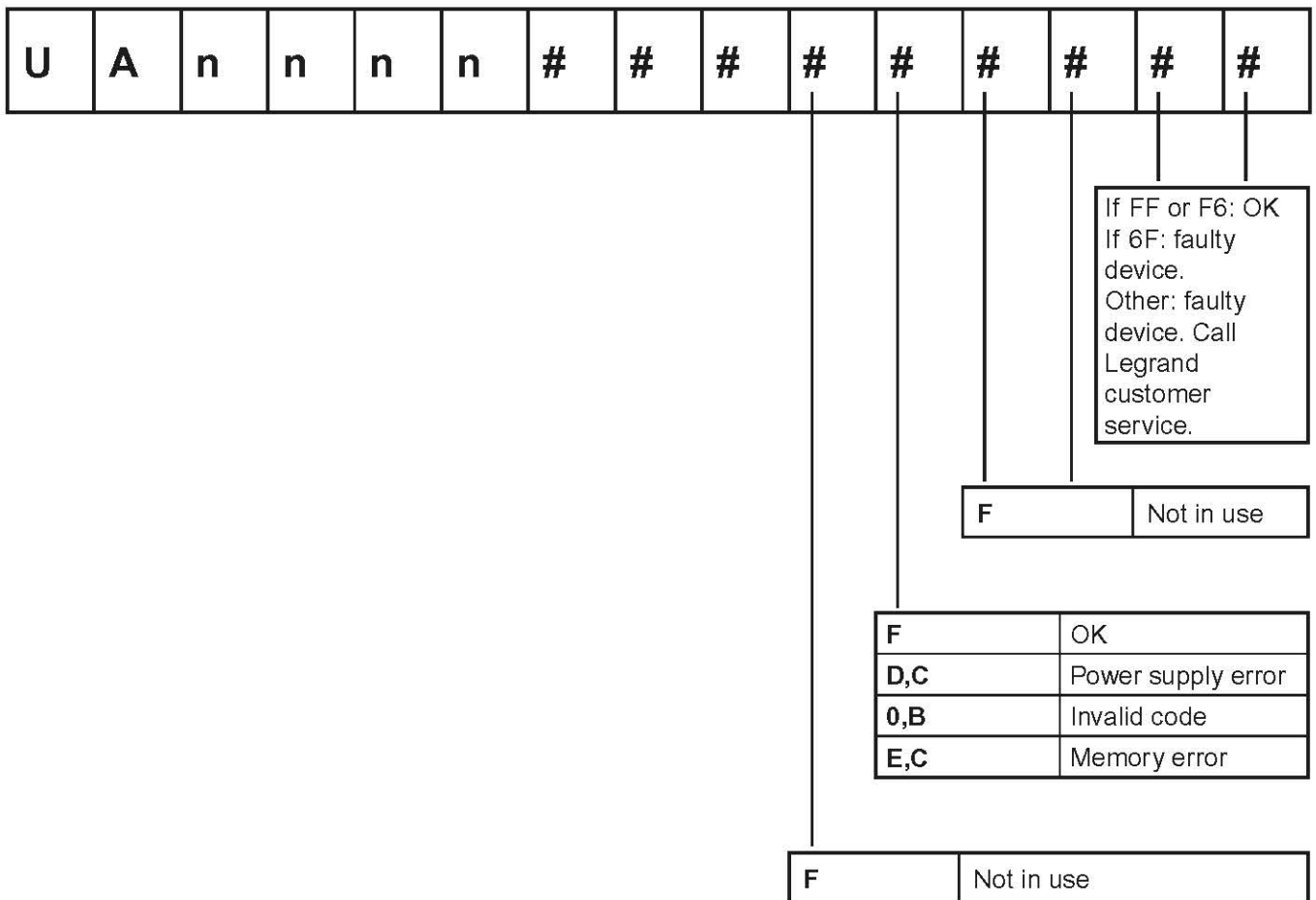


Error code
Cat. No. 0 766 11




Faulty information feedback interface
Cat. No. 0 766 78

ERROR CODE FOR INFORMATION FEEDBACK INTERFACE



Troubleshooting

ERROR TYPE	DIAGNOSTICS
Door unit Cat. No 0 766 06 or 0 766 07 flashes, displaying the software version number.	Add the configurator to the door unit in position M2 which must be 1 or 2. See device physical configuration table in the <i>Parameter setting</i> section (door units 0 766 06/07)
A transient error on the door unit (between 1 and 30 s): 	Check if the hand-held remote control unit common (call) is connected to the correct terminal
"Burned-out" door unit (smell of singed electronic component)	Check the wiring on terminal 19: the problem is either a short-circuit between the common and terminal 19, or excessive voltage on terminal 19
Door overhead light unit not working	Check the indicator power supply and its polarity
Interphone module not working	Disconnect and reconnect the cables at each end
Remote acknowledgement not working	Check the position of both microswitches on the back of the door unit
"Ø" is displayed on the main nurses' control unit	BUS congestion: too many messages circulating on the BUS/SCS. Check whether the ward wiring complies with the installation principle or whether the installation includes a faulty device
Call or presence which cannot be acknowledged	Check the microswitch positions. They must be in the ON-ON position if there is no remote acknowledgement button. For other scenarios, see the data sheet for door units Cat. Nos. 0 766 06/07
Chaser effect on all the overhead light units	<ul style="list-style-type: none"> • Not all the hand-held remote control units have yet been connected • The BUS power supply is no longer present or is faulty
Chaser effect on one overhead light unit	<ul style="list-style-type: none"> • Check that the hand-held remote control units, pull cords and monitor lights are present. If not, add a 100 kΩ/0.25 W resistor • Check that the contacts on the hand-held remote control units, pull cords and handicap contactors (if present in the installation) are normally closed
The indicator light on the hand-held remote control unit never comes on, even though the wiring is correct	Check the hand-held remote control unit Cat. No. It is undoubtedly an incompatible Mosaic hand-held remote control unit without monitor and indicator lights Cat. Nos. 0 782 01/02/03

Product developments

CAT. NOS.	DESCRIPTION	VERSION	DEVELOPMENT	APPLICATION DATE
0 766 11/09	Nurses' control unit	1.0.12	Creation	11W45
0 766 06/07	Door unit	01/01/2011	Compatible with virtual configuration	12W26
0 766 08	Interphone module	01/02/2010	Update for 0 782 19 (bed extension)	13W09
0 766 10	BUS/SCS extension			
0 766 04/05	Corridor display unit			
0 766 04/05	Corridor display unit	01/02/2010	Change of display unit internal power supply	12W40
0 766 19	DECT interface	1.0.12	Creation	11W45
		01/01/2011	Compatible with virtual configuration	12W26
		01/02/2010	Update for 0 782 19 (bed extension)	13W09
		01/02/2016	Updating of technical messages	14W07
0 766 17	Traceability interface	01/01/2014	Creation	12W26
		01/02/2010	Update for 0 782 19 (bed extension)	13W30
0 766 18	Traceability software	1.0.4778.74	Creation	13W30
0 782 19	Bed extension	01/02/2010	Creation	13W08
0 782 40	1-button hand-held remote control unit	1	Creation	11W41
0 782 81	1-button hand-held remote control unit	1	Replacement of hand-held remote control unit 0 782 40 (softer button)	18W17
0 782 42	3-button hand-held remote control unit	1	Creation	11W41
		2	Addition of mechanical stops to control buttons	13W36
0 782 82	3-button hand-held remote control unit	1	Replacement of hand-held remote control unit 0 782 42 (softer button)	18W17
0 782 44	6-button hand-held remote control unit	1	Creation	11W41
		2	Addition of mechanical stops to control buttons	13W47
0 782 84	6-button hand-held remote control unit	1	Replacement of hand-held remote control unit 0 782 44 (softer button)	18W17
0 782 41/45/46/47	Magnetic socket	1	Creation	11W41
0 782 48L	Bathroom pull cord	1	Creation	11W45
			Enhanced production control	13W49
			New version of magnet	16W42
0 782 49/51	Non-standard call button	1	Creation	11W45
0 766 16	Configuration kit	1	Creation	12W26
			Change in cabinet	13W26
0 766 15	Virtual configuration software	1	Creation	12W26
		2.2	Change to bed extension (0 782 19)	13W09
		3.0	Change to interface for programming information feedback (0 766 78)	16W01

CAT. NOS.	DESCRIPTION	VERSION	DEVELOPMENT	APPLICATION DATE
0 766 70	3-colour indicator	1	Creation	11W45
0 766 06/07	Door unit	05 1210 00	Remote acknowledgement option	15W23
0 766 11	Nurses' control unit	01 1221 00	Change to ward forwarding	15W13
0 492 33	Halogen-free BUS/SCS cable, 200 m reel	1	Creation	11W45
			Superseded by Cat. No. 0 492 72	
0 492 72	Halogen-free BUS/SCS cable, new standard, 200 m drum	1	Creation	18W17
			Replacement of Cat. No. 0 492 33 following changes to the cable standards	
0 492 73	Halogen-free BUS/SCS cable, 500 m drum	1	Creation	11W45
			Superseded by Cat. No. 0 492 75	
0 492 75	Halogen-free BUS/SCS cable, new standard, 500 m drum	1	Creation	18W17
			Replacement of Cat. No. 0 492 73 following changes to the cable standards	

See label on back of the device to find out which version it is.

Example: **05 1210 00**:

05	1210 00
⏟	⏟
Mechanical version	Software version



Head office:

128, av. du Maréchal-de-Lattre-de-Tassigny
87045 Limoges Cedex - France

tel: +33(0)5 55 06 87 87

fax: +33(0)5 55 06 88 88

www.legrand.com