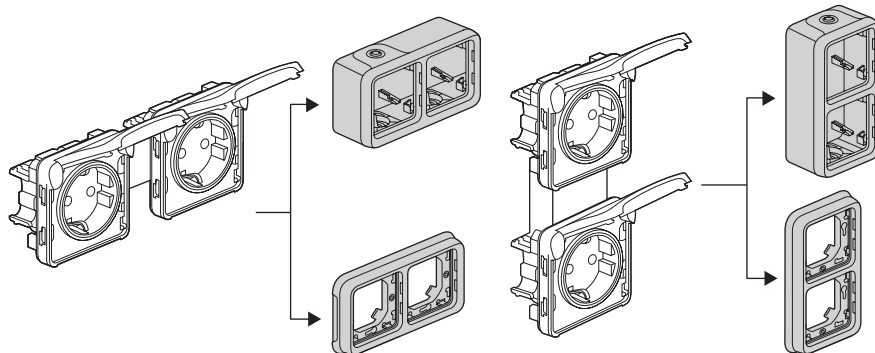


# Plexo™

## 2 P+E prewired socket outlets

### German standard

Cat. No(s): 0 695 76/77/78 - 0 697 42/43/44/72/73/74



#### 1. USE

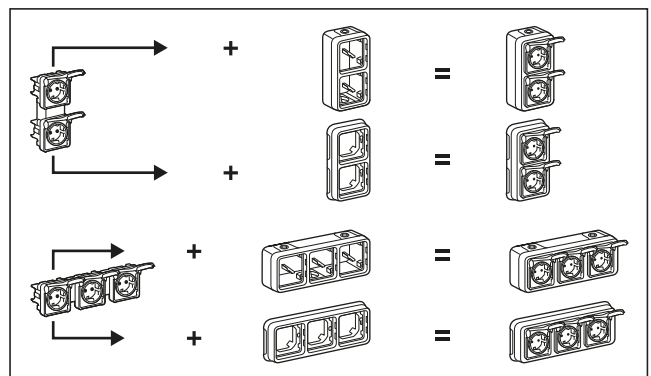
Waterproof electrical equipment for residential and professional technical installations (garages, cellars, car parks, workshops, industrial kitchens, etc.) and outdoor environments (terraces, gardens, camp sites, etc.).

2 P+E prewired socket outlets with shutters.

#### 2. RANGE

2 versions : grey and white		Cat. Nos.
Configurable		2 P+E socket outlet horizontal 0 695 76
		2 P+E socket outlet vertical 0 695 77
		2 P+E socket outlet horizontal 0 695 78
Surface-mounting Complete		0 697 42 0 697 72
		0 697 44 0 697 74
		0 697 43 0 697 73

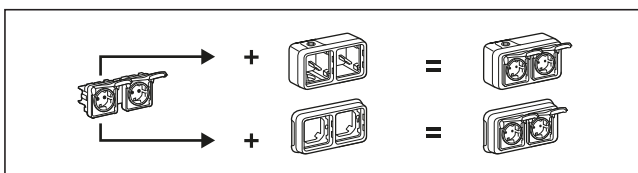
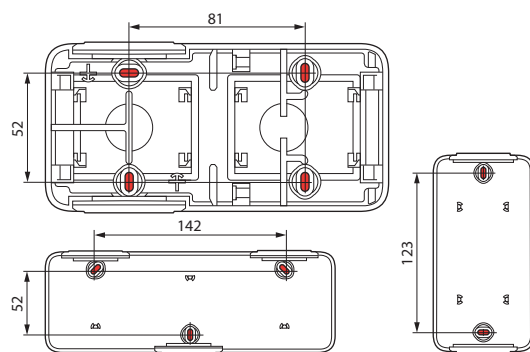
#### 2. RANGE (continued)



#### 3. PREPARATION

##### 3.1 Surface mounting

- Back body is mounted on the support using screws, max Ø 3 mm to 4 mm.

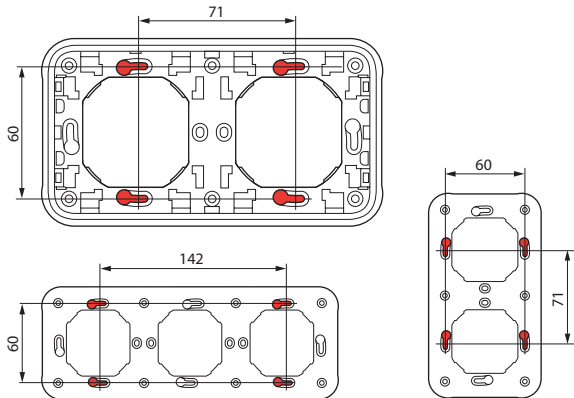


## 2 P+E prewired socket outlets German standard

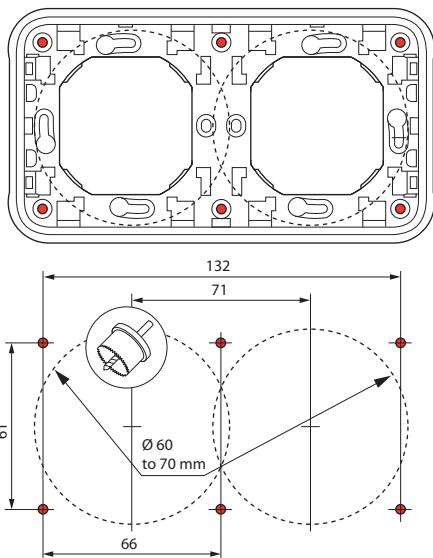
### 3. PREPARATION (continued)

#### ■ 3.2 Recessed mounting

- Screw-mounted in recessed case.
- Use Batibox flush-mount boxes (71 mm fixing centre for multigang supports).

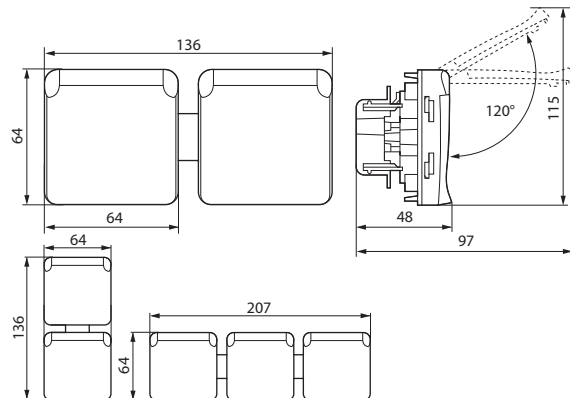


- Mounting on base plate using screws, Ø 4 mm.
- Opening cut in base-plate, diameter 60 mm to 70 mm using a circular saw or a punch.

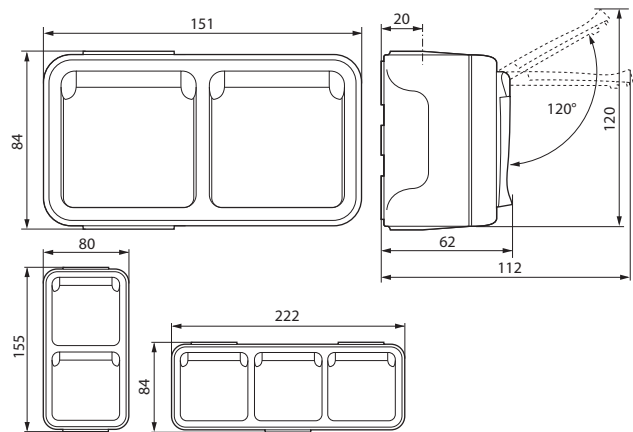


### 4. OVERALL DIMENSIONS (mm)

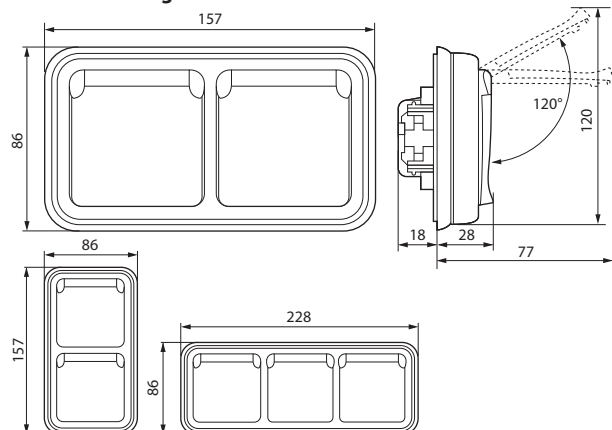
#### ■ Configurable



#### ■ Surface-mounting



#### ■ Flush-mounting



# Plexo™

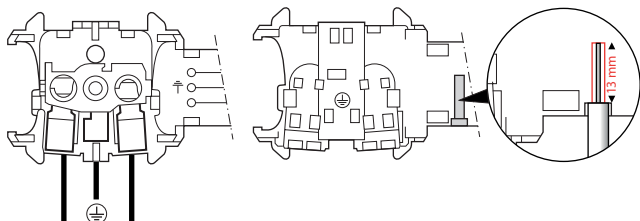
## 2 P+E prewired socket outlets

### German standard

Cat. No(s): 0 695 76/77/78 - 0 697 42/43/44/72/73/74

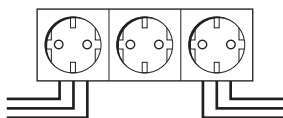
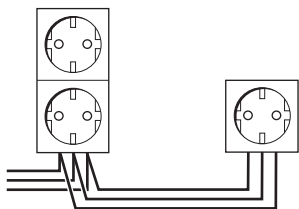
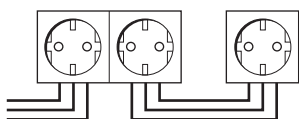
#### 5. CONNECTION

##### ■ Connection to conductors



Type of terminals: automatic  
Terminal capacity: 1.5 mm<sup>2</sup> - 2.5 mm<sup>2</sup> (1 or 2 conductors)  
Stripping length: 13 mm

Connection tap-off



#### 6. TECHNICAL CHARACTERISTICS

##### ■ 6.1 Protection index (shutter closed)

Protection against solid bodies and liquids: IP 55  
Protection against impact: IK 07

##### ■ 6.2 Material characteristics

Box, support: PP reinforced polypropylene  
Plate, shutter: ABS  
Outlet gland: PP + SEBS  
Mechanism: PC

UV resistant

Resistance to salt spray: 7 days (168 h)

Self-extinguishing:

+ 850°C / 30 s for insulating components holding in place live parts.

+ 650°C / 30 s for the other insulating components.

##### ■ 6.3 Electrical characteristics

Current: 16 A

Voltage: 250 V~

Frequency: 50 Hz

##### ■ 6.4 Climatic characteristics

Storage temperature: - 25° C to +70° C

Use temperature: - 25° C to + 40° C

#### 7. CLEANING

Surface cleaning with dry cloth or cloth dipped in soapy water.  
Do not use acetone, tar remover or trichloroethylene.

**Caution:** A test should be carried out before using any specific cleaners.

#### 8. STANDARDS AND APPROVALS

Compliance with standards of installation and manufacturing.  
Refer to e. catalogue.