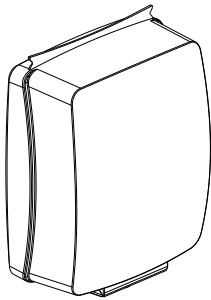


Belanko™ S Splash proof cover

Cat. No(s): 6 176 36



6 176 36

CONTENTS

- 1. Use.....1
- 2. Range.....1
- 3. Preparation.....1
- 4. Overall dimensions.....1
- 5. Technical characteristics.....1
- 6. Cleaning.....1
- 7. Conformity - Approvals.....1

1. USE

IP55 weatherproof plate.
(Supplied with M3.5 screws for BS boxes. Flush mounting or surface mounting.)

2. RANGE

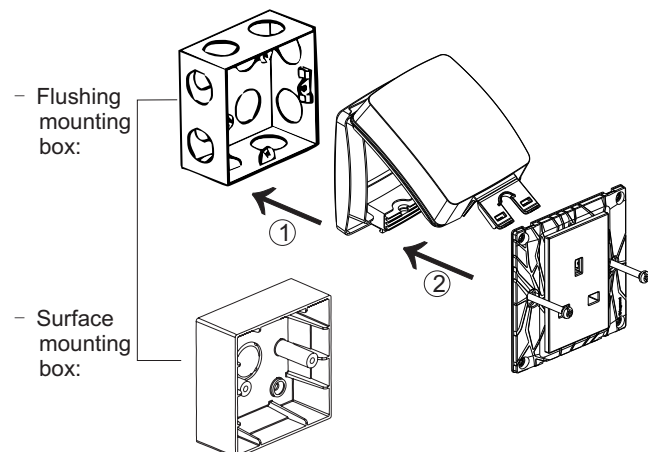
| | Designation | Cat. No. | Weight(g) |
|--|--------------------|----------|-----------|
| | Splash proof cover | 6 176 36 | 115.5 |

Colours

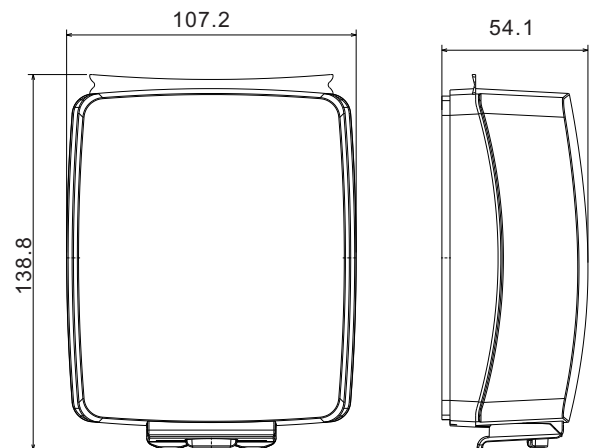
- Front: grey
- Rear: grey
- 6 176 36 Grey

3. PREPARATION

3.1 General preparation



4. OVERALL DIMENSIONS



Profile Size: 138.8 × 107.2mm
Distance of installation hole: 60.3 mm

5. TECHNICAL CHARACTERISTICS

5.1 Material characteristics

Material: PP
Self-extinguishing:
+ 850° C / 30 s for insulating parts holding live parts in place
+ 650° C / 30 s for other parts made of insulating materials

5.2 Climatic characteristics

Storage temperatures: -10°C to +70°C
Operating temperatures: -5°C to +50°C

5.3 Mechanical characteristics

Impact test: IK04
Protection against liquids: IP55

6. CLEANING

Surface cleaning with a soft, slightly damp cloth.
Do not use: acetone, tar remover, trichloroethylene

7. CONFORMITY - APPROVALS

Conform to IEC 60670-1.