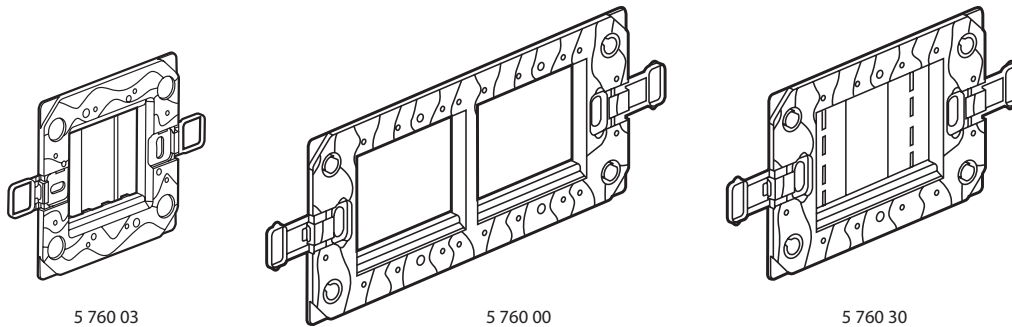


Arteor™ Frames

Cat. No(s): 5 760 00/01/02/03/11/12/13/15/16/20/21/22/30/31/32/40/50



5 760 03

5 760 00

5 760 30

1. USE

Metal support frames for mounting Arteor mechanisms.

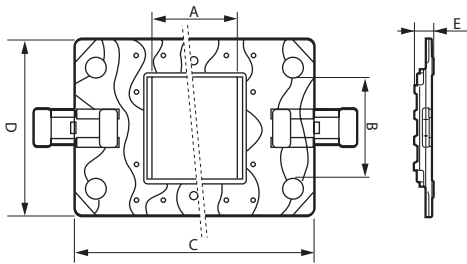
2. RANGE

Description	Fixing method	Cat. No.
2 x 2 modules frame British standard	with screws	5 760 00
3 modules frame British standard For horizontally or vertically 1 gang	with screws	5 760 01
3 modules frame British standard For horizontally or vertically 2 gang	with screws	5 760 02
1 and 2 modules frame British standard For horizontally or vertically mechanisms 1 gang	with screws	5 760 03
4 modules frame Franco-belgian and german	with screws	5 760 11
6 modules frame Franco-belgian and german For horizontal mechanism	with screws	5 760 12
Support rail DIN Franco-belgian and german 2 modules	with clips	5 760 13
Panel mounting support Franco-belgian and german 1 module	with clips	5 760 15

2. RANGE (continued)

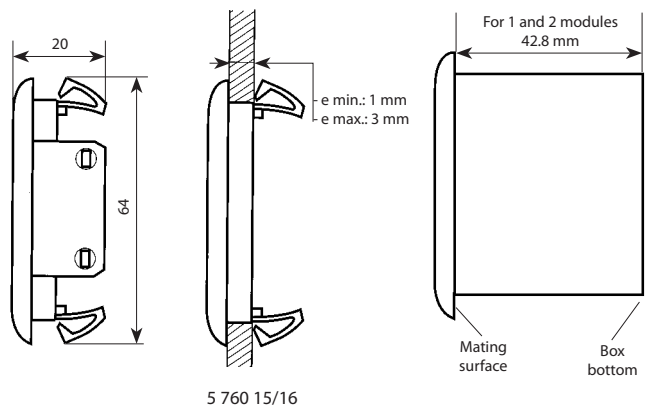
Description	Fixing method	Cat. No.
Panel mounting support Franco-belgian and german 2 modules	with clips	5 760 16
Claw mounting frame Franco-belgian and german 2 modules	with screws	5 760 20
1 and 2 modules frame Franco-belgian and german	with screws	5 760 21
2 x 6 modules frame Franco-belgian and german for horizontal mechanisms	with screws	5 760 22
1 x 2 modules frame US (2" x 4")	with screws	5 760 30
2, 3 and 4 modules frame US (4" x 4")	with screws	5 760 31
2 x 3 modules frame US (4" x 4")	with screws	5 760 32
1 to 3 modules frame Franco-belgian, US and italian standards (2" x 4")	with screws	5 760 40

3. DIMENSIONS (mm)



Cat. No.	A	B	C	D	E
5760 00	2 x 45	2 x 45	145	80	9.7
5760 01	45	68	80	80	9.7
5760 02	68	45	145	80	9.7
5760 03	45	45	80	80	9.7
5760 11	90	45	145	80	9.7
5760 12	135	45	225	80	9.7
5760 20	45	45	74	74	9.7
5760 21	45	45	74	74	9.7
5760 22	2 x 135	2 x 45	225	150	9.7
5760 30	45	45	78	115	9.7
5760 31	45 to 90	45	115	115	9.7
5760 32	2 x 45 to 90	2 x 68	115	115	9.7
5760 40	45	68	78	115	9.7

3. DIMENSIONS (mm) (continued)



4. MOUNTING

Screw the frame on the flush-mounted box, pull down spurs, then clip the mechanism on the frame.

5. TECHNICAL CHARACTERISTICS

■ **5.1 Mechanical characteristics**
Impact test: IK 04

■ **5.2 Material characteristics**
Frame: Polypropylene + Steel
Except 5 760 13: PBT

■ **5.3 Climatic characteristics**
Storage temperature: - 10° C to + 70° C
Operating temperature: - 5° C to + 50° C

