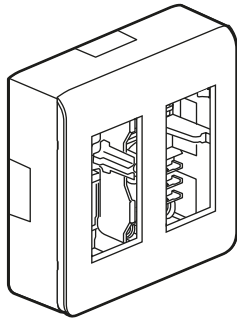
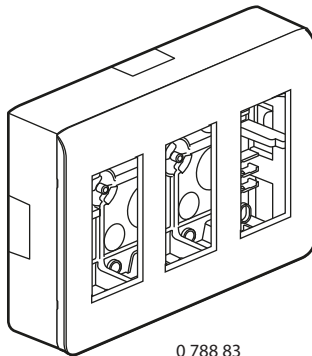


Mosaic™ Surface-mounting workstation kits

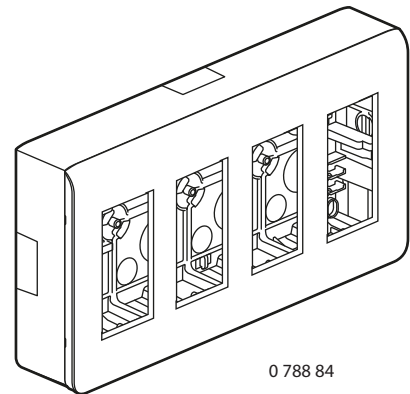
Cat. No(s): 0 788 82/83/84 - 0 790 82/83/84



0 788 82



0 788 83



0 788 84

1. DESCRIPTION

Surface-mounting workstation kits to be installed with flush or surface-mounting conduits (mini-trunking or trunking).

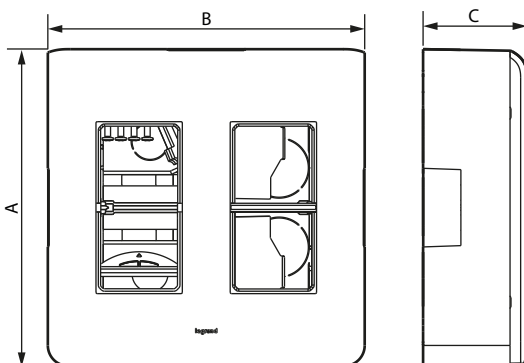
Equipped with :

- Surface-mounting frames with removable entries (top/bottom and sides), pre-cut for 40 x 20 mini-trunking.
- 4-module individual supports for tool-less installation of Mosaic programme mechanisms (2 optional screws supplied).
- Removable spacer for integration of 1-gang mechanisms.
- Separation partition for high currents and low currents.
- Front plate.

2. RANGE

Surface-mounting workstation kits	White	Alu
For 2 x 4 modules	0 788 82	0 790 82
For 3 x 4 modules	0 788 83	0 790 83
For 4 x 4 modules	0 788 84	0 790 84

3. OVERALL DIMENSIONS (mm)



Cat. No.	A	B	C
0 788 82 0 790 82	167.5	168	55
0 788 83 0 790 83	167.5	237	55
0 788 84 0 790 84	167.5	318	55

4. TECHNICAL CHARACTERISTICS

■ 4.1 Mechanical characteristics

Protection against solid bodies and liquids: IP 20

Protection against mechanical impact: IK 04

■ 4.2 Material characteristics

Material:

- Frame: ABS
- Plate: PC + ABS colour White RAL 9003
PC + ABS painted Alu colour
- Under-plate: PC White opalescent
- Removable spacer: PP reinforced 30 % glass fiber
- Supports: PC reinforced 20 % glass fiber - Grey RAL 7016

Halogen free

UV resistant

Self-extinguishing: 650° C / 30 s

■ 4.3 Climatic characteristics

Storage temperature: - 5° C to + 70° C

Use temperature: - 5° C to + 35° C

5. CLEANING

Surface cleaning with a cloth.

Do not use: acetone, tar remover, trichloroethylene.

Resistance to the following agents: Hexane (EN 60669-1), Methylated spirits, Soapy water, Diluted ammonia, Diluted pure bleached 10%, Glass cleaning substance, Pre-impregnated wipes.

Caution: A preliminary test should be carried out if other specific cleaning products are to be used.

6. SPECIAL USE

The plates must not be painted.

7. ACCESSORIES

0 343 22 0 343 23 0 343 25	Nylbloc connection to be clipped on the bottom of the frame
0 788 40	Cover-plate for 2-module modular device 17.5 mm with removable transparent protection cap, 4 modules