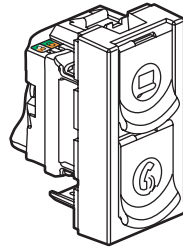


# Arteor™ RJ 45 double sockets

Catalogue number(s): 5 723 35/36 - 5 728 35/36



## CONTENTS

Page

1. General characteristics . . . . .	1
2. Presentation . . . . .	1
3. Use scenarios . . . . .	1
4. Technical characteristics . . . . .	1
5. Installation . . . . .	2
6. Overall dimensions . . . . .	2
7. Connection . . . . .	2
8. Standards and approvals . . . . .	3

## 1. GENERAL CHARACTERISTICS

The double socket allows two applications to be used at the same time on a single 4-pair cable: phone/data. The ethernet speed is 10/100 Mbit/s.

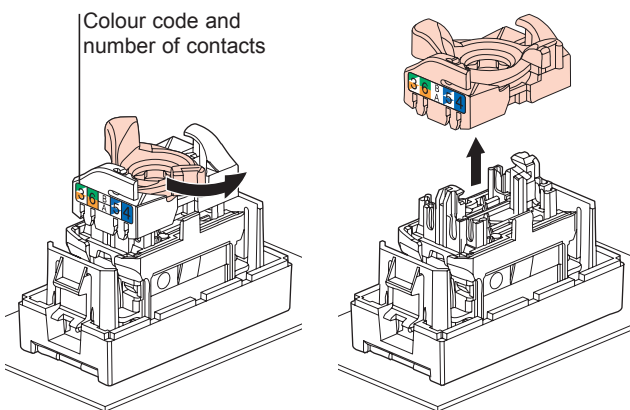
The double socket wiring device heightens anti-theft security and damage protection and does not harm the RJ 45 socket.

Each port has a dust-protection hood and is totally flush-fitting.

The double socket is used in association with another double socket of the same type (PHONE/DATA) on the patch panel.

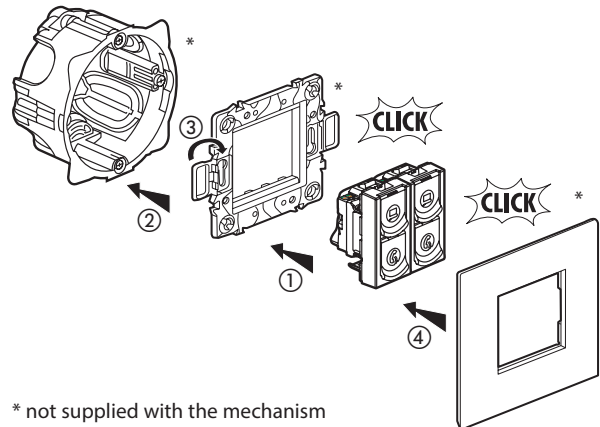
Designation	Colour	Nbr. of modules	UTP	FTP	Weight (g)
Double RJ 45 socket UTP TEL/DATA	White Magnesium	1	5 723 35		18
			5 728 35		
Double RJ 45 socket FTP TEL/DATA	White Magnesium	1		5 723 36	18
				5 728 36	

## 2. PRESENTATION



## 3. USE SCENARIOS

The mechanisms can be flush-mounted or surface-mounted.



## 4. TECHNICAL CHARACTERISTICS

### 4.1 Material characteristics

Contacts: gold/nickel, thickness of gold > 0.8 µm min.  
Metal parts: bronze, nickel, platinum, gold  
PBT polycarbonate

### 4.2 Electrical characteristics

Breakdown voltage ≥ 1000 V  
Contact resistance ≥ 20 mΩ  
Insulation resistance ≥ 500 MΩ at 100 V DC.  
Tested and independently certified to comply with IEC 60512-99-001 and IEC 60512-99-002 for PoE support up to 90w (Type 4).

### 4.3 Mechanical characteristics

Max. number of connections and disconnections: 5 without refreshing the cable  
Endurance: 2500 movements (plug insertion/withdrawal)  
IK03

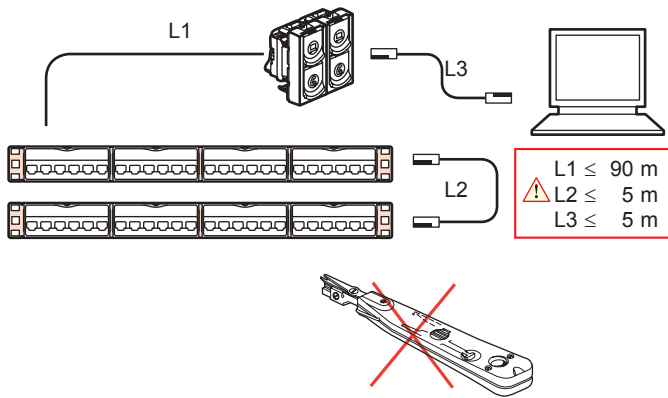
### 4.4 Climatic characteristics

Operating temperature: -10°C to +60°C  
Humid heat cycle 21 days

# Arteor™ RJ 45 double sockets

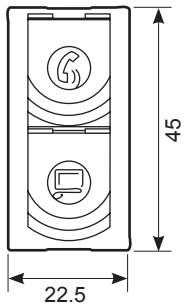
Catalogue number(s): 5 723 35/36 - 5 728 35/36

## 5. INSTALLATION

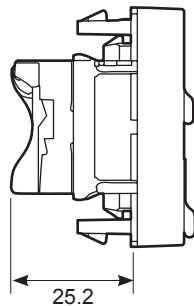


## 6. OVERALL DIMENSIONS

Front view:

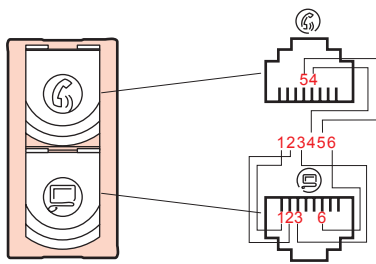


Side view:



## 7. CONNECTION

The following connections are to be respected according to the type of double socket:



## 7. CONNECTION

Accepts the following cable connectors:  
RJ11 (4 contacts), RJ12 (6 contacts), RJ45 (9 contacts).

Double colour code T568A and T568B on terminals:

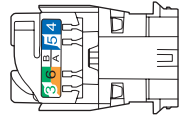
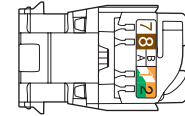
- UTP 8 contacts
- FTP 9 contacts



T568A



T568B

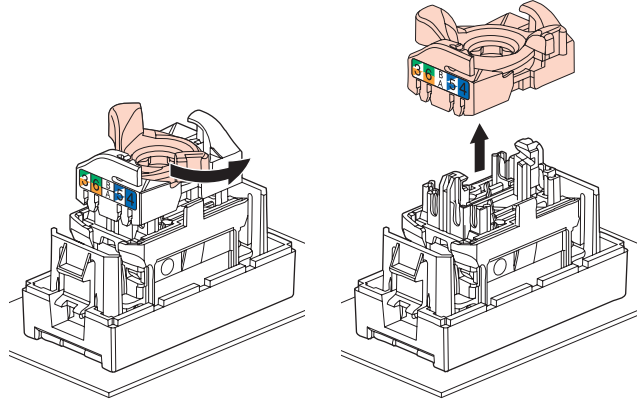


Conductors supported:

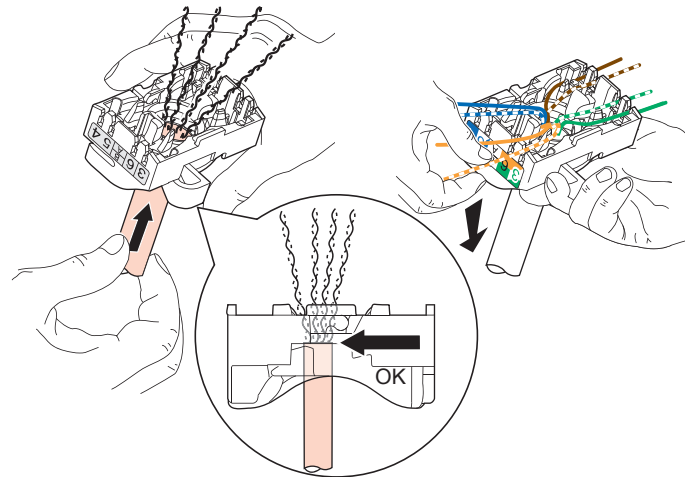
- Solid/stranded: 0.4 to 0.65 mm, AWG 26 to 22
- Polyethylene conductor insulation: Ø 0.85 to 1.7 mm on insulation

Number of wires to connect per connection: 1

The RJ45 connectors are equipped with a rotating locking system that does not require special tools and enables rewiring in the event of error.

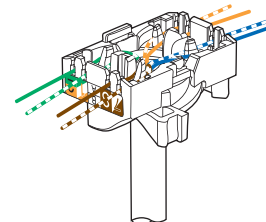


This system allows the wire pairs to be spread easily before attaching them to the connector.



Spreading the wires ensures that pairs are separated by the required 13 mm.

Spreading the pairs at 90° in relation to the cable ensures the best performance levels.



## 8. STANDARDS AND APPROVALS

ISO/IEC 11801 series : International standard for generic cabling for customer premises

ANSI/TIA 568 series : North American standard for generic cabling for customer premises

EN 50173 series : European standard for generic cabling for customer premises

IEC 60603-7 series : International standard for connector specifications

Connectors are compliant to requirements for the following remote powering applications

IEEE 802.3af , IEEE 802.3at , IEEE 802.3bt : "Power over Ethernet", Types 1 to 4, up to 90W.