

## CONTENT

1.	OVERALL DESCRIPTION	1
2.	PRODUCT RANGE	2
2.1	Structure configurations	2
2.2	Doors range and dimensions	3
2.3	Lateral/Back panels	4
2.4	Finish kits	5
3.	DIMENSIONS	5
3.1	Fixing Dimensions	7
4.	ACCESSORIES	7
4.1	Functional Uprights - Lateral	7
4.2	Functional Uprights - Central (BACKBONE)	8
4.3	Faceplate supports	9
4.4	Full installation plate	9
4.5	Plinth	10
4.6	Joining kits	11
5.	GENERAL FEATURES	12
5.1	Technical properties	12
5.2	Materials	12
6.	CONFORMITY AND APPROVALS	12

## 1. OVERALL DESCRIPTION

XL<sup>3</sup> 4000 are monobloc enclosures for distribution.

They can be equipped with functional upright for installation of DIN rails and plates for devices (DPX<sup>3</sup>, DRX, SPX, etc). They can be equipped with traverses for the installation of DMX<sup>3</sup> breakers.

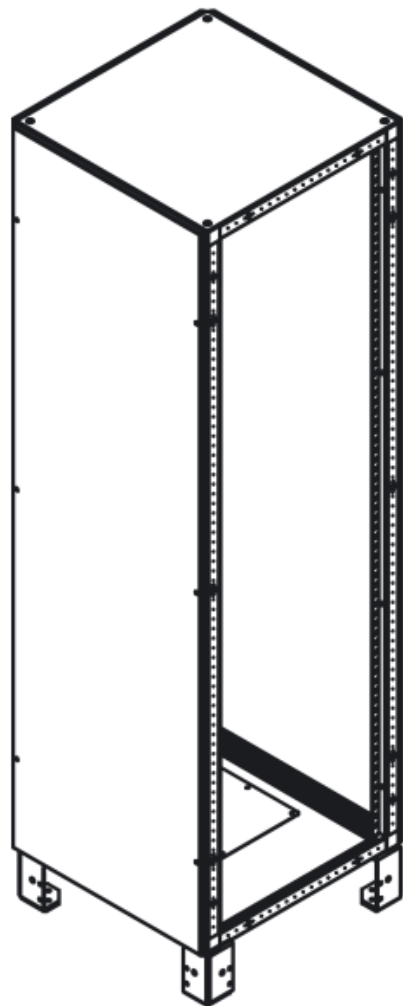
Maximum intensity of devices installable: 4000A.

4 widths: cable sleeve, 16 modules, 24 modules, 36 modules.

2 heights: 2000mm, 2200 mm.

Modular enclosure, suitable for joining frames side by side with specific accessories.

Removable plates at bottom in order to arrange as needed the arrival of cables.



## 2. PRODUCT RANGE

### 2.1 Structure configurations

#### Enclosures Cable sleeve

Cat. N°.	Height (mm) (useful)	Width (mm) (useful)	Depth (mm) (useful)	Weight (kg)
3 380 00	1800	250	300	26.7
3 380 04	1800	250	500	29.7
3 380 08	1800	250	700	32.6
3 380 20	2000	250	300	28.1
3 380 24	2000	250	500	31.1
3 380 28	2000	250	700	34.1

#### Enclosures 16M – Busbar sleeve

Cat. N°.	Height (mm) (useful)	Width (mm) (useful)	Depth (mm) (useful)	Weight (kg)
3 380 01	1800	350	300	28.4
3 380 05	1800	350	500	31.6
3 380 09	1800	350	700	35.0
3 380 21	2000	350	300	39.9
3 380 25	2000	350	500	33.1
3 380 29	2000	350	700	36.4

#### Enclosures 24M

Cat. N°.	Height (mm) (useful)	Width (mm) (useful)	Depth (mm) (useful)	Weight (kg)
3 380 02	1800	500	300	31.0
3 380 06	1800	500	500	34.5
3 380 10	1800	500	700	40.0
3 380 22	2000	500	300	32.4
3 380 26	2000	500	500	36.0
3 380 30	2000	500	700	41.4

#### Enclosures 36M

Cat. N°.	Height (mm) (useful)	Width (mm) (useful)	Depth (mm) (useful)	Weight (kg)
3 380 03	1800	700	300	34.5
3 380 07	1800	700	500	38.4
3 380 11	1800	700	700	43.1
3 380 23	2000	700	300	36.0
3 380 27	2000	700	500	39.9
3 380 31	2000	700	700	44.6

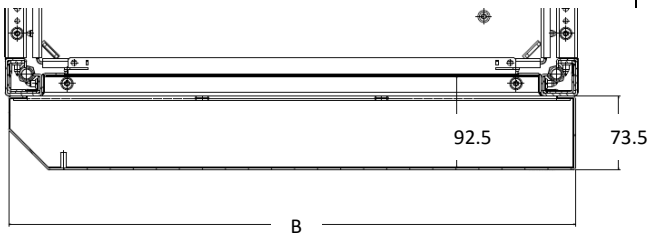
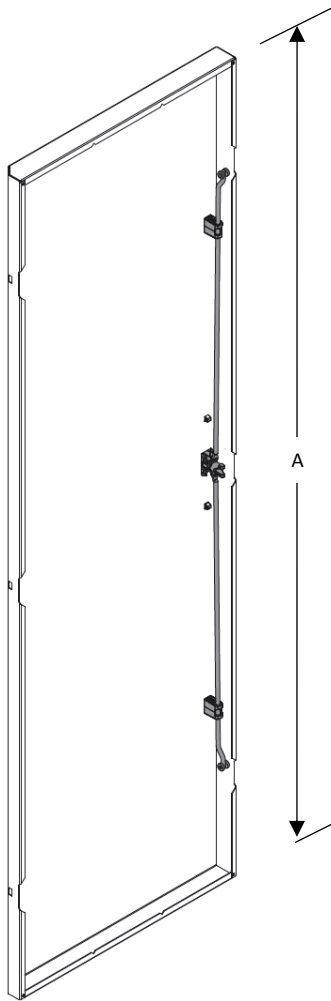
## 2.2 Doors range and dimensions

The depth of the doors allows all the sizes of handles of the breaker installable inside the enclosure and also the installation of lamps and controls (interface man-machine).

The door has 3 hinges that allow a 180° opening.

The door has 3 locking points.

The door exists in full metal version and observation window, with tempered glass.



### Metal Doors

Cat. N°	A (mm)	B (mm)	Enclosure cat. N°
3 381 00	1872	318	3 380 00 3 380 04 3 380 08
3 381 01	1872	418	3 380 01 3 380 05 3 380 09
3 381 02	1872	568	3 380 02 3 380 06 3 380 10
3 381 03	1872	768	3 380 03 3 380 07 3 380 11
3 381 10	2072	318	3 380 20 3 380 24 3 380 28
3 381 11	2072	418	3 380 21 3 380 25 3 380 29
3 381 12	2072	568	3 380 22 3 380 26 3 380 30
3 381 13	2072	768	3 380 23 3 380 27 3 380 31

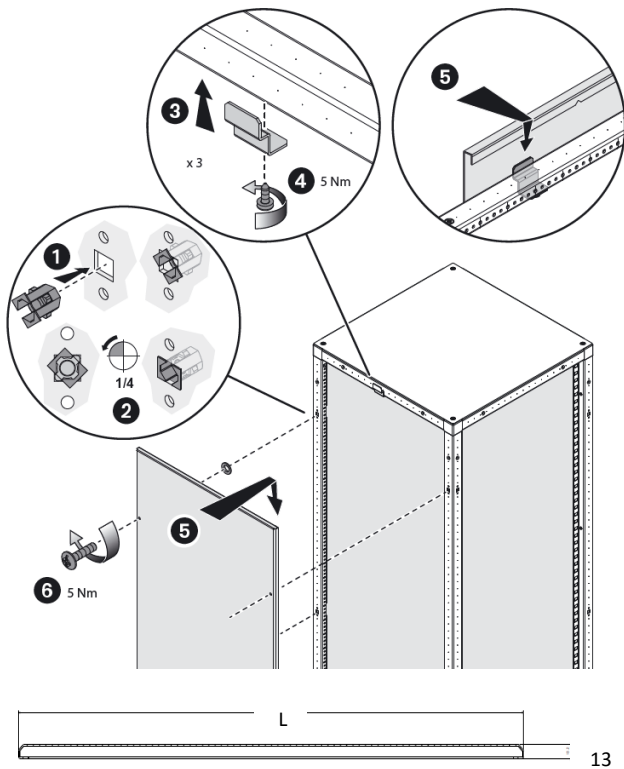
### Glass Doors

Cat. N°	A (mm)	B (mm)	Window (mm)	Enclosure cat. N°
3 381 20	1872	418	1770x270	3 380 01 3 380 05 3 380 09
3 381 21	1872	568	1770x420	3 380 02 3 380 06 3 380 10
3 381 22	1872	768	1770x620	3 380 03 3 380 07 3 380 11
3 381 30	2072	418	1970x270	3 380 21 3 380 25 3 380 29
3 381 31	2072	568	1970x420	3 380 22 3 380 26 3 380 30
3 381 32	2072	768	1970x620	3 380 23 3 380 27 3 380 31

**2.3 Lateral/Back panels**

The packaging include a single side, in order to close completely the assembly.

Within the package there is a support plate that allow the easy installation of the side



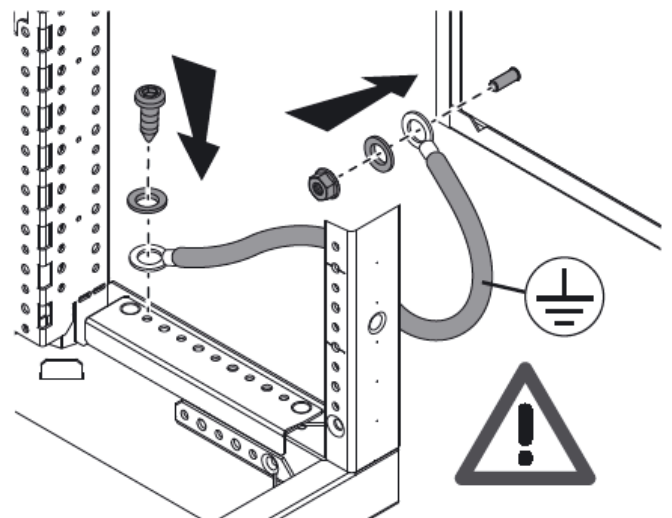
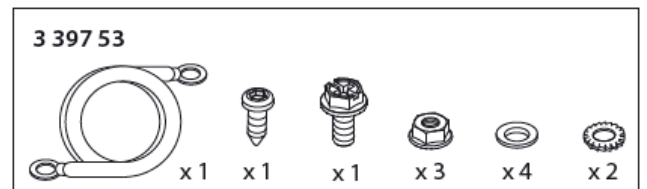
**Back/Side panels H2000 enclosures**

Cat. N°	L (mm)	H (mm)	Mounting
3 380 80	270	1872	Back
3 380 61	330	1872	Side
3 380 81	370	1872	Back
3 380 62	570	1872	Back/Side
3 380 63	770	1872	Back/Side

**Back/Side panels H2200 enclosures**

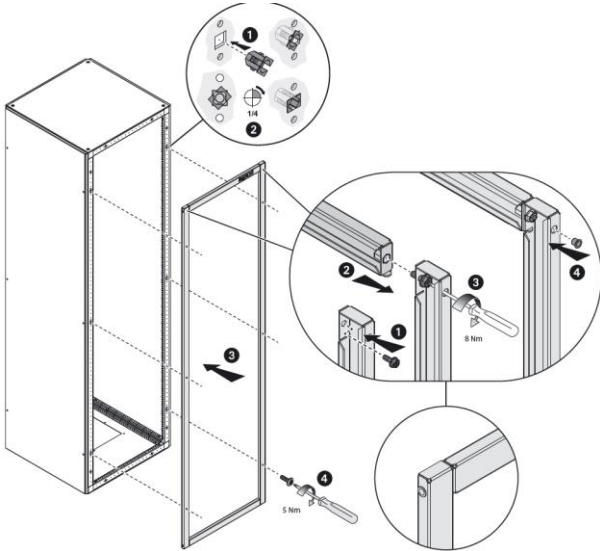
Cat. N°	L (mm)	H (mm)	Mounting
3 380 90	270	2072	Back
3 380 71	330	2072	Side
3 380 91	370	2072	Back
3 380 72	570	2072	Back/Side
3 380 73	770	2072	Back/Side

The earthing is assured by the stud welded on the side that has to be earthed with the frame with specific accessories.



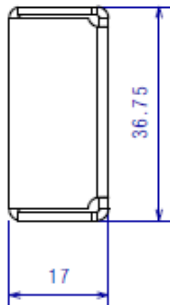
**2.4 Finish kits**

The IP30 finish kit is composed by two Cat N°s for each size of enclosure: one for the vertical frame, and one for the horizontal frame. The assembly of the two items create a frame to be fixed on the uprights for the enclosure in order to have aesthetic finish and IP30 degree of protection.

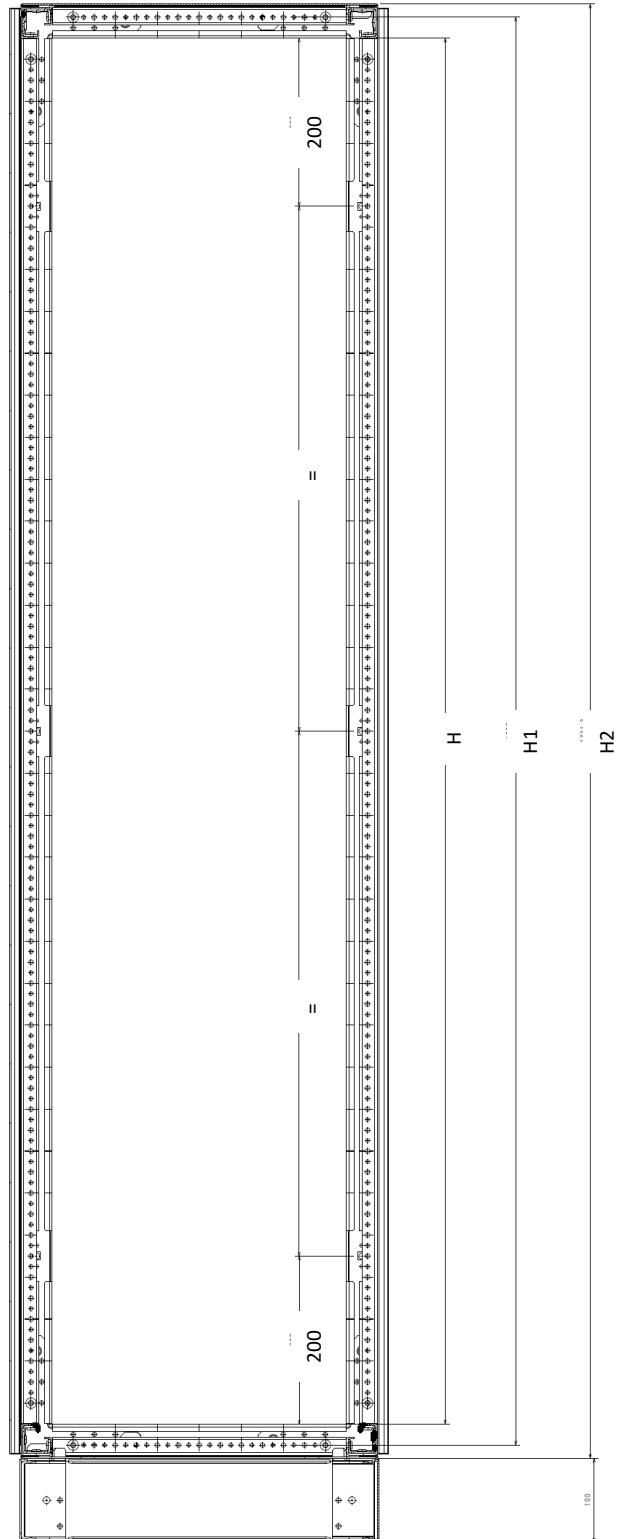


Cat. N°	Enclosure height
3 379 67	2000
3 381 80	2200

Cat. N°	Enclosure width
3 379 71	Cable sleeve - 350 mm
3 379 72	16 M - 450 mm
3 379 73	24 M - 600 mm
3 379 74	36 M - 800 mm



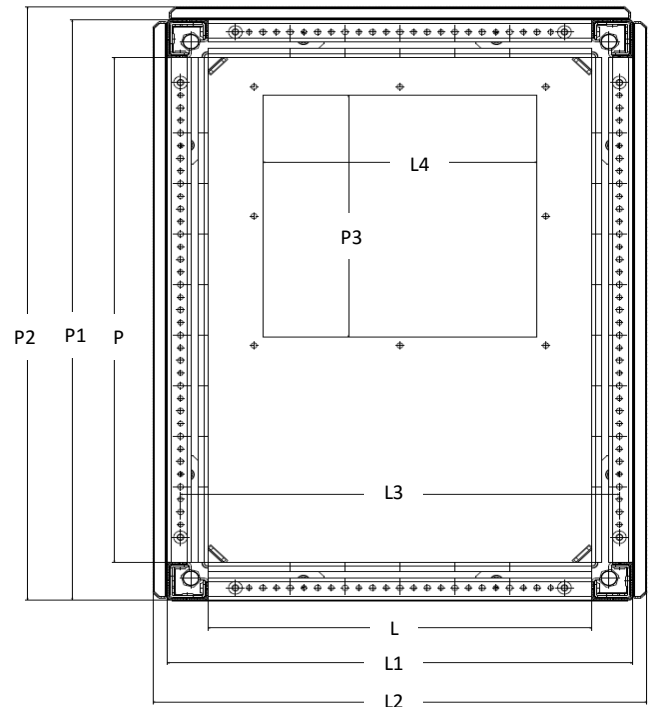
**3. DIMENSIONS**



# XL<sup>3</sup> S 4000 CABINETS

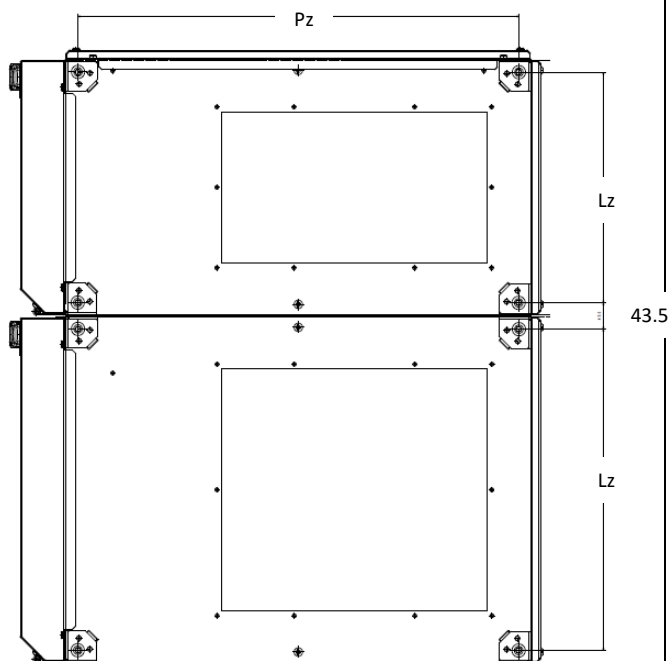
Cat. No(s): 3 380 00/01/02/03/04/05/06/07/08/09/10/11/  
3 380 20/21/22/23/24/25/26/27/28/29/30/31

Cat. N°.	H (mm)	H1 (mm)	H2 (mm)
3 380 00 3 380 01 3 380 02 3 380 03 3 380 04 3 380 05 3 380 06 3 380 07 3 380 08 3 380 09 3 380 10 3 380 11	1800	1850	1881
3 380 20 3 380 21 3 380 22 3 380 23 3 380 24 3 380 25 3 380 26 3 380 27 3 380 28 3 380 29 3 380 30 3 380 31	2000	2050	2081



Cat. N°.	L mm	L1 mm	L2 mm	L3 mm	L4 mm	P mm	P1 mm	P2 mm	P3 mm
3 380 00 3 380 20	250	324	350	300	150	300	374	387	90
3 380 04 3 380 24	250	324	350	300	150	500	574	587	240
3 380 08 3 380 28	250	324	350	300	150	700	774	787	440
3 380 01 3 380 21	350	424	450	400	250	300	374	387	90
3 380 05 3 380 25	350	424	450	400	250	500	574	587	240
3 380 09 3 380 29	350	424	450	400	250	700	774	787	440
3 380 02 3 380 22	500	574	600	550	400	300	374	387	90
3 380 06 3 380 26	500	574	600	550	400	500	574	587	240
3 380 10 3 380 30	500	574	600	550	400	700	774	787	440
3 380 03 3 380 23	700	774	800	750	600	300	374	387	90
3 380 07 3 380 27	700	774	800	750	600	500	574	587	240
3 380 11 3 380 31	700	774	800	750	600	700	774	787	440

## 3.1 Fixing Dimensions

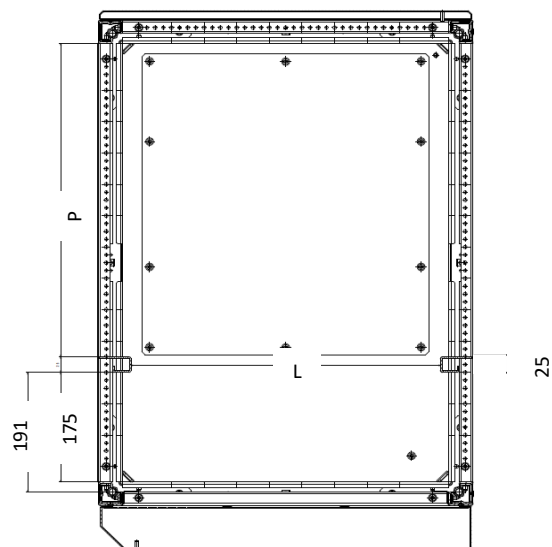


Cat. N°.	Lz (mm)	Pz(mm)
3 380 00	281	331
3 380 20		
3 380 04		
3 380 24		
3 380 08	281	731
3 380 28		
3 380 01	381	331
3 380 21		
3 380 05	381	531
3 380 25		
3 380 09	381	731
3 380 29		
3 380 02	531	331
3 380 22		
3 380 06	531	531
3 380 26		
3 380 10	531	731
3 380 30		
3 380 03	731	331
3 380 23		
3 380 07	731	531
3 380 27		
3 380 11	731	731
3 380 31		

## 4. ACCESSORIES

### 4.1 Functional Uprights - Lateral

The item is composed by two upright with fixing support. They are installed in the side of the enclosure and allow the fixing of the faceplates on the extremities.



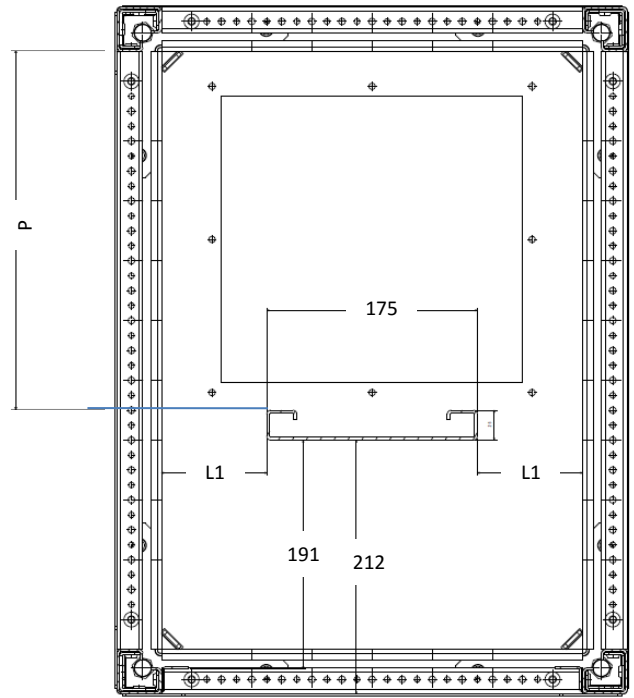
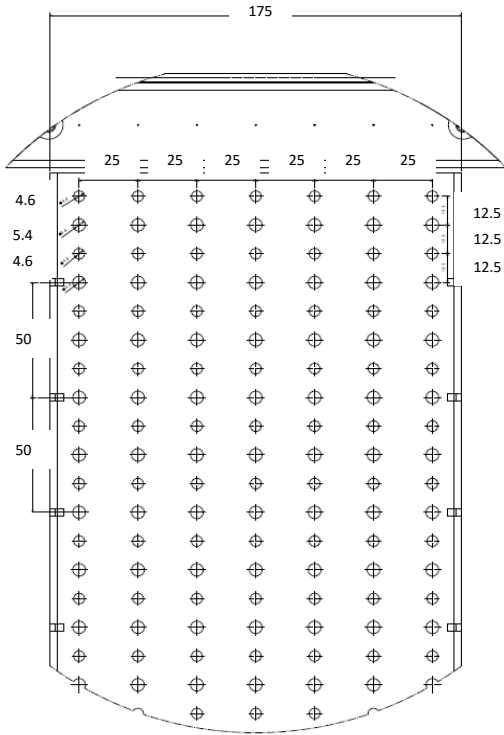
Cat. N°.	Enclosure height (useful) (mm).
3 381 55	1800
3 381 57	2000

Encl. Dimensions Width x Depth (mm)	L (mm)	P (mm)
450 x 400	324	100
450 x 600	324	300
450 x 800	324	500
600 x 400	474	100
600 x 600	474	300
600 x 800	474	500
800 x 400	674	100
800 x 600	674	300
800 x 800	674	500

**4.2 Functional Uprights - Central (BACKBONE)**

It is composed by a vertical frame, installed in the middle of the column. It allows the fixing of the specific installation plate, giving the maximum space available on the side of the breaker in order to create the electrical connection.

It is suitable for fixed breakers in horizontal position, allowing to have more compact installations.



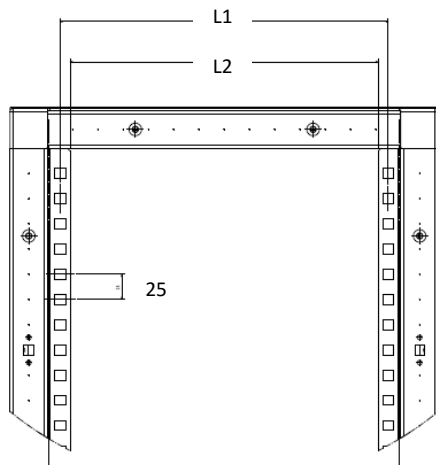
Cat. N°.	L1 (mm)	P (mm)	Encl. Height x Depth (mm).
3 381 60	87.5	100	2000x450
3 381 61	162.5	300	2000x600
3 381 62	262.5	500	2000x800
3 381 63	87.5	100	2200x450
3 381 64	162.5	300	2200x600
3 381 65	262.5	500	2200x800



**4.3 Faceplate supports**

It is composed by two vertical uprights, fixed on the frontal uprights of the frame, allowing the fixing of the faceplates.

It allows an IP30 degree of protection.

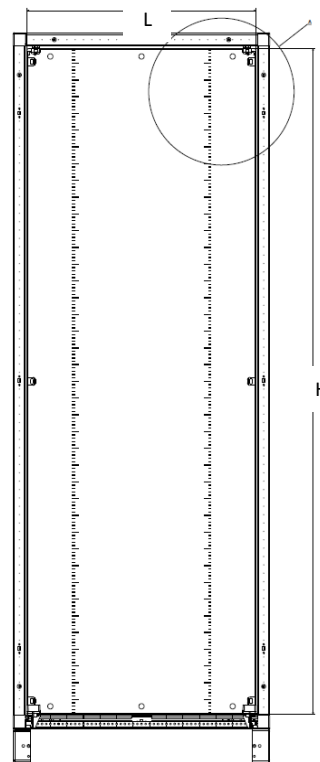


Enclosure Width	L1 (mm)	L2 (mm)
Cable sleeve	225	205
16 M	325	305
24 M	475	455
36 M	675	655

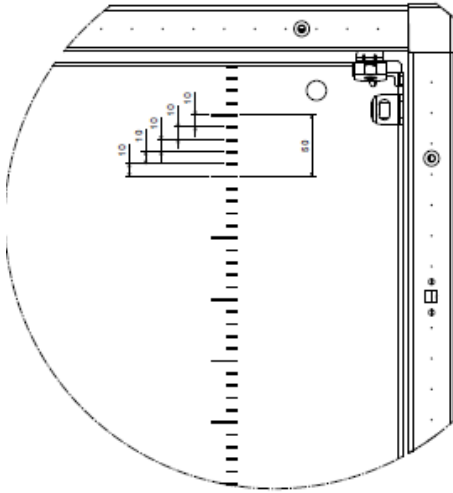
**4.4 Full installation plate**

The full installation plate is used for generic installation purposes. It is composed by a full plate and supports that allow the sliding of the plate in order to reach the correct installation position.

The plate allows the installation of components up to 200 kg/m<sup>2</sup>

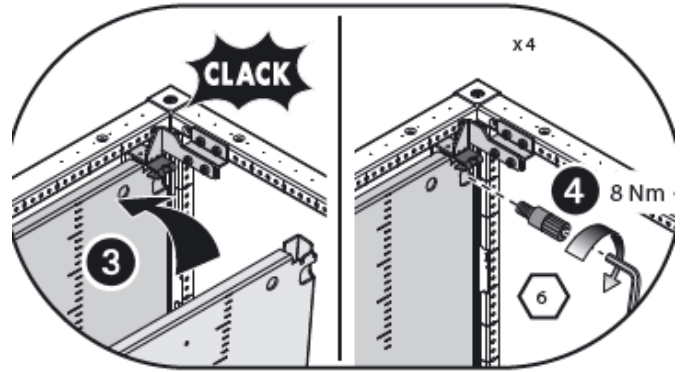
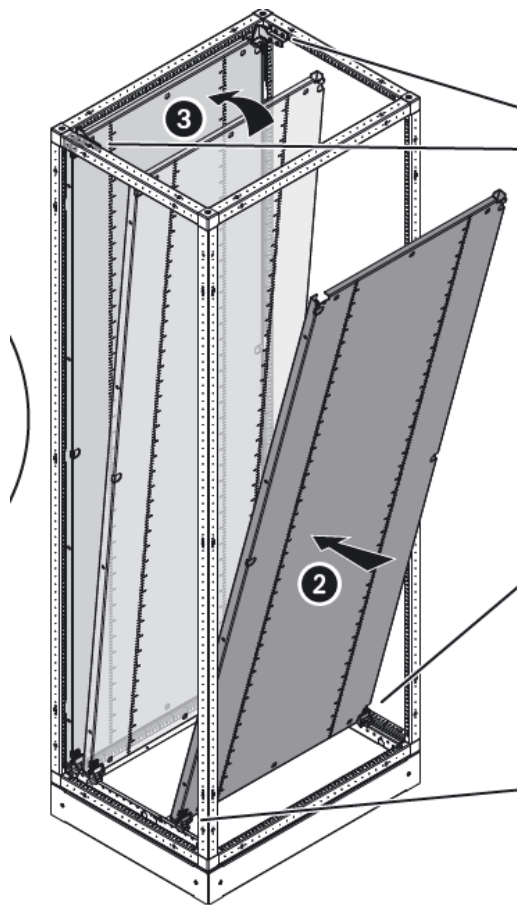


Cat. N°.	L (mm)	H (mm)	Enclosure dimensions
3 381 70	490	1787	2000x600
3 381 71	690	1787	2000x800
3 381 72	490	1987	2200x600
3 381 73	690	1987	2200x800



The set of references is completed by an intermediate plate in order to have a full surface for cabling. The plate has a precutting in order to adapt the height to the enclosure height

Cat. N°.	L (mm)	H (mm)
3 381 74	85	1987

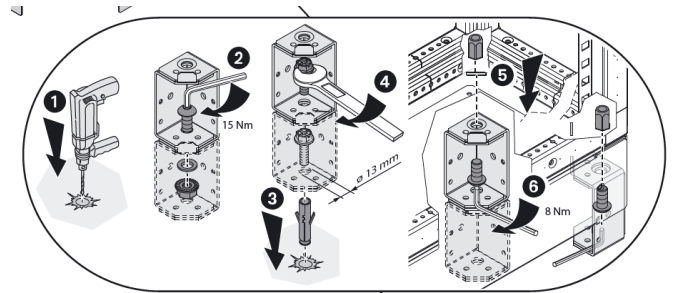


**4.5 Plinth**

The plinth is composed by 4 corners and 4 covers.

Plinths are 100mm high and are fixed directly on the frame by the means of M12 screws.

Plinths are juxtaposable up to a maximum of two plinths

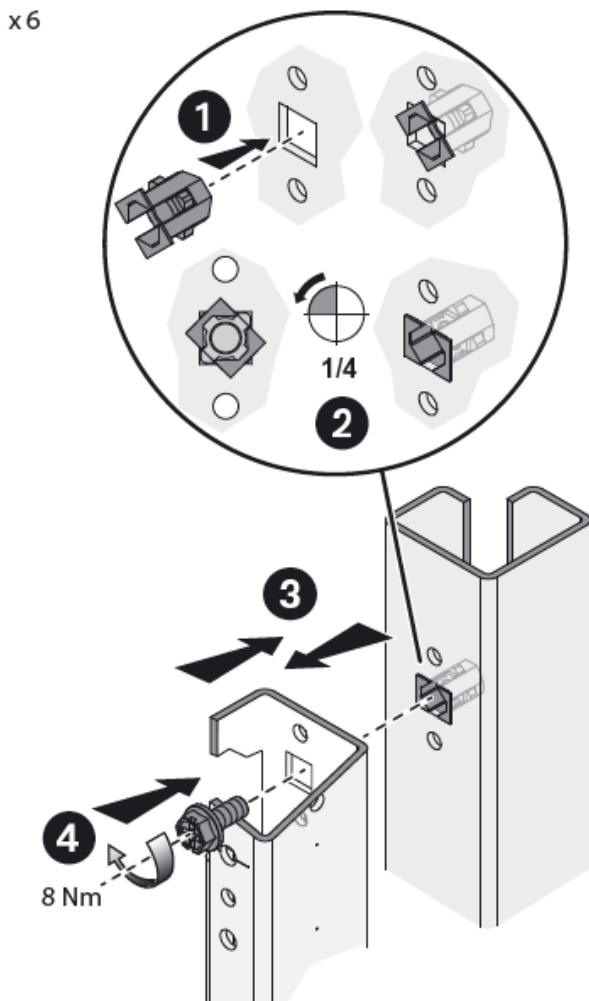
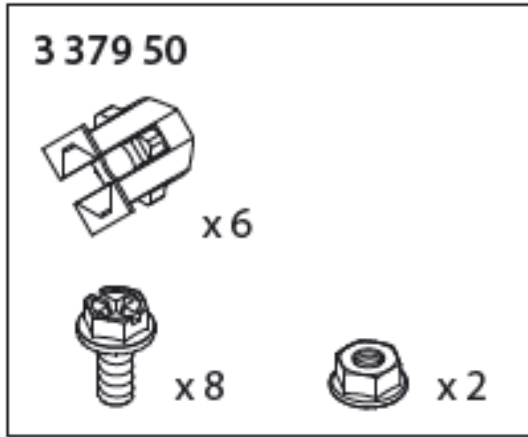


P mm	x 2			x 2			
	400	600	800	350	450	600	800
	3 382 06	3 382 03	3 382 04	3 382 01	3 382 02	3 382 03	3 382 04

**4.6 Joining kits**

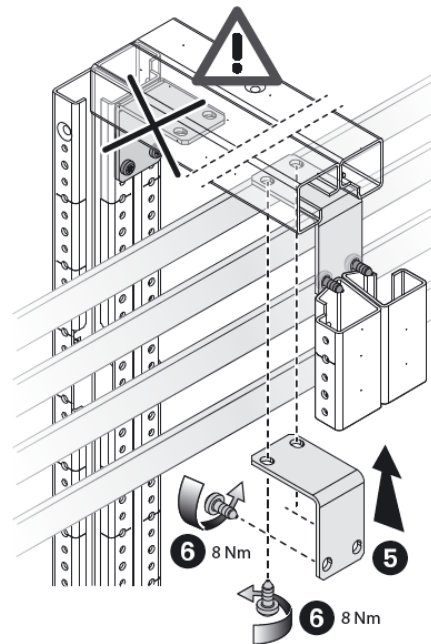
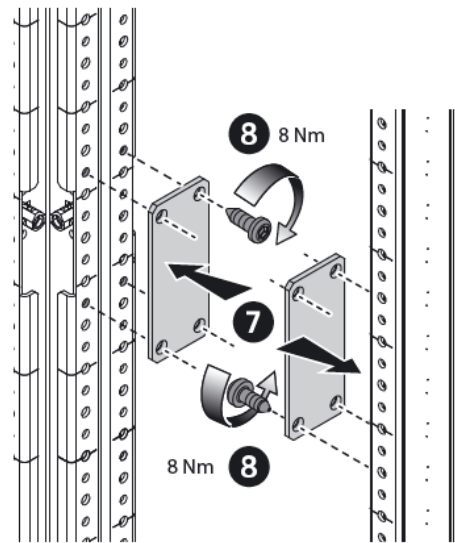
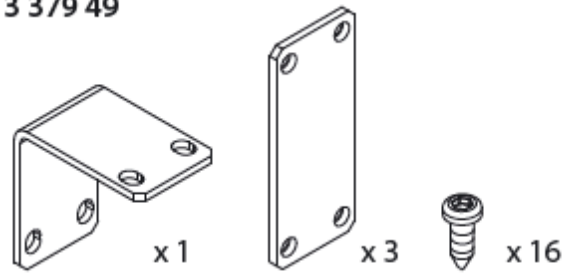
The frame is studied in order to have different way to join two of them together.

- A set of screw and cage nuts fixing directly the upright for light solutions (up to 300 kg).



- a set of metallic plates (3) and corner (1) for heavier duties (up to 500 kg). Two kits have to be used to perform up to the maximum weight

**3 379 49**



**5. GENERAL FEATURES**

**5.1 Technical properties**

- IP30 / IP40 / IP43 (with specific kit) following IEC 60529
- IK07 Without door, IK08 With door following IEC 62262
- Height from 1800 mm and 2000mm (usable)
- Reversible door (metal & transparent, with tempered glass)
- RAL 7016 (anthracite grey) / RAL 9003 (signal white)
- The uprights for faceplates and the uprights for plates are automatically earthed with the frame
- I<sub>NA</sub>: 4000A
- Short circuit withstand :
- I<sub>CC</sub>: 50kA
- I<sub>cw</sub>: 50kA x 1s
- I<sub>pk</sub>: 105kA
- U<sub>i</sub>: 1000 V
- U<sub>imp</sub>: 12kV
- Max load : 500 kg
- Maximum pollution degree: 3

**5.2 Materials**

**Enclosure characteristics**

Enclosure: Sheet metal 1,5mm thickness

Frame uprights: Galvanized sheet metal 2mm thickness

Lateral sides: Sheet metal 1,5mm thickness

Plinths: Galvanized sheet metal 3mm thickness

Plinths covers: Sheet metal 1,5mm thickness

**Painting Characteristics**

Painting: epoxy polyester powder. Minimum thickness 60µ

- Grain size distribution (Ø average) ISO 8130-1: 32 µm 36÷46%; 63 µm 74÷91%
- Scratch test UNI 9395: invisible scratch (0.4 kg)
- Cross-cut test ISO 2409: GT0...1
- Overheating resistance (DYI (190°C, 60') ASTM D 1925): >1,5

After 10 minutes contact, at ambient temperature, with the following substances the coating remains intact:

- methyl Alcohol
- Toluene
- Xylene
- Chloridric Acid
- Gas oil
- Gasoline
- NaOH 30% (caustic soda, aqueous solution)

After 1 week contact, at ambient temperature, with the following substances the coating remains intact:

- bleach 15% active chlorine
- saturated solution bleach

- Ethylic alcohol and N – hexane resistance as define in the standard UNI 9852.

After 1 month immersion, at ambient temperature, in the following aqueous solutions the coating remains intact:

- 1% standard detergent
- 10% sodium chloride
- 1% citric acid
- 5% phosphoric acid
- 10% ammonia
- xylene
- 20% acetic acid

After 6 months immersion, at ambient temperature, in the following aqueous solutions the coating remains intact:

- distilled water
- normal water

**Salt spray resistance**

500 hours without blistering neither detachment of paint, applied on the pretreated panel with iron phosphate salts.

The painting cycle and materials allow a resistance up to level "C4 Low" according to standard ISO 12944.

It is possible to arrive up to a level "C5 medium" with a dedicate painting cycle.

**Climatic conditions:**

Operating temperature: - 5°C to + 40° C

Stocking temperature: - 10°C to + 70°C

**6. CONFORMITY AND APPROVALS**

The assembly is certified following IEC 61439-2.

Fire resistance according to IEC 60695-2-1 750°C/5s