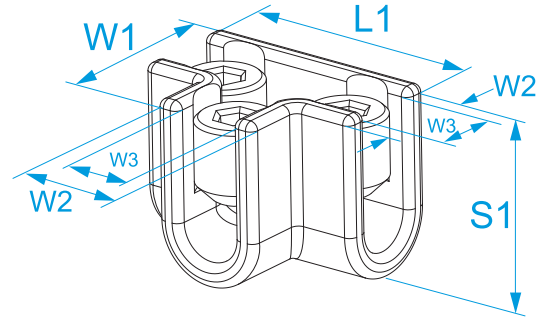


Product family: Screw connections - Butt connectors
Item code: 2350, 2351, 2352, 2353, 2354, 2355
Description: "T" HEAD CONNECTORS

Image




Technical drawing



Specifications

MATERIAL: nickel-plated die-cast brass

Code	Section (mm ²)	Cable diameter (mm)	W1 (mm)	W2 (mm)	W3 (mm)	L1 (mm)	S1 (mm)	Screw	
2350	4 ÷ 16	2 ÷ 4,5	16,75	10,75	5	23	15,5	M7	100/100
2351	10 ÷ 25	3 ÷ 6	22	13,75	7	30	20	M10	
2352	25 ÷ 35	7 ÷ 8	31,5	17	8,15	42,5	22,5	M12	50/50
2353	35 ÷ 70	9 ÷ 10	36	19,5	10	52	25,5	M14	25/50
2354	70 ÷ 95	11 ÷ 13	50	27	13	71	30	M20	10/10
2355	90 ÷ 185	14 ÷ 16	53	32	16,25	72	38	M24	