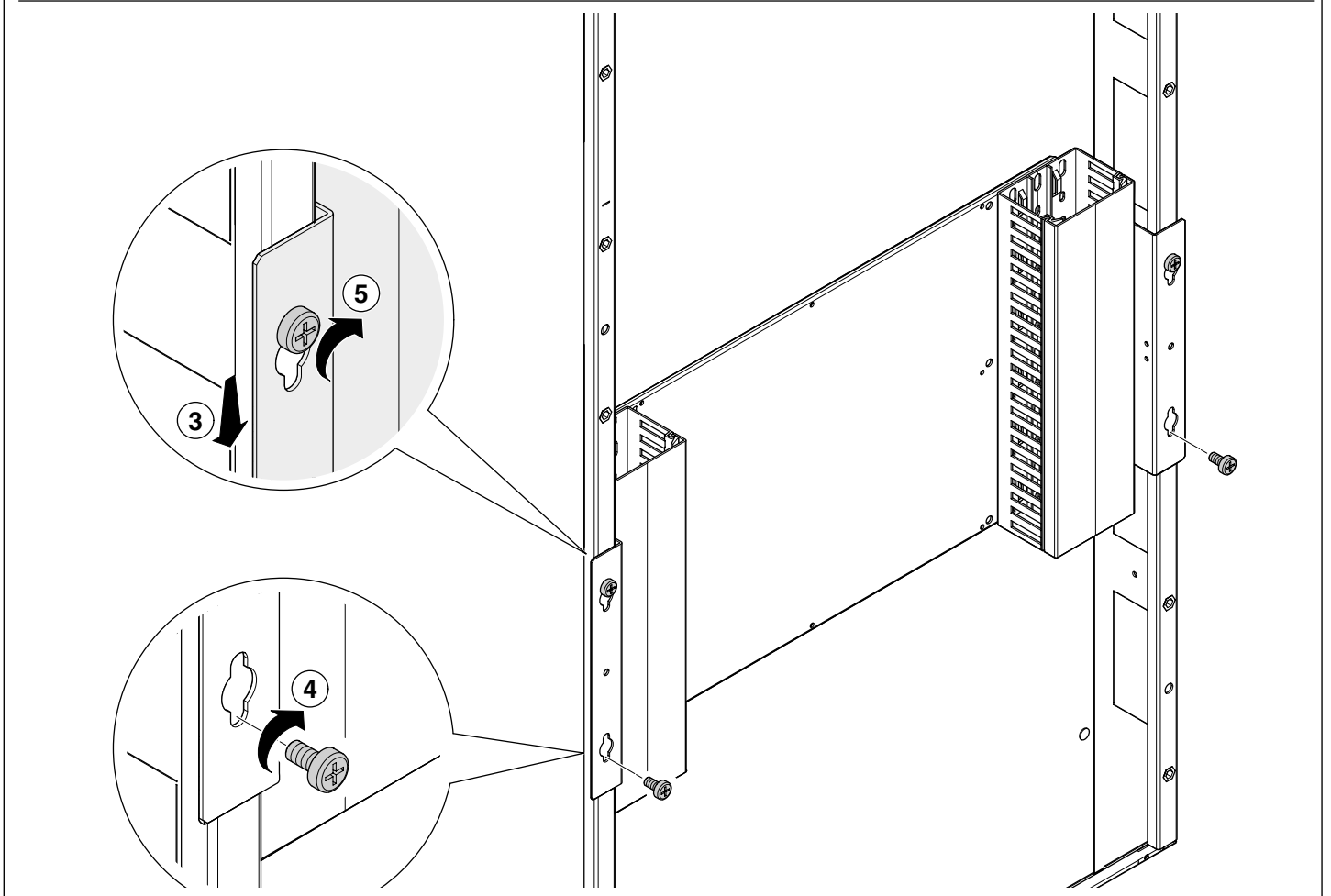
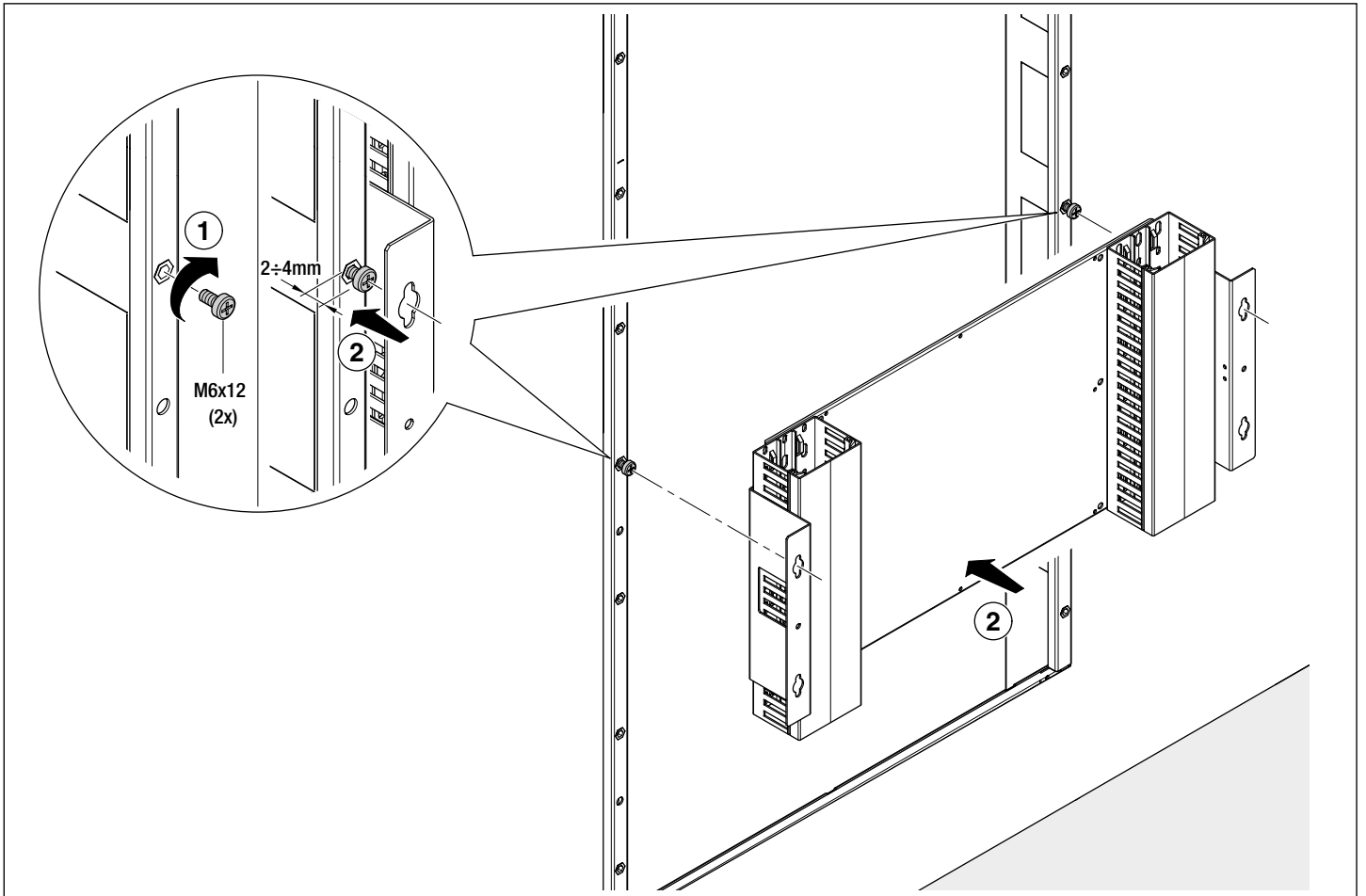
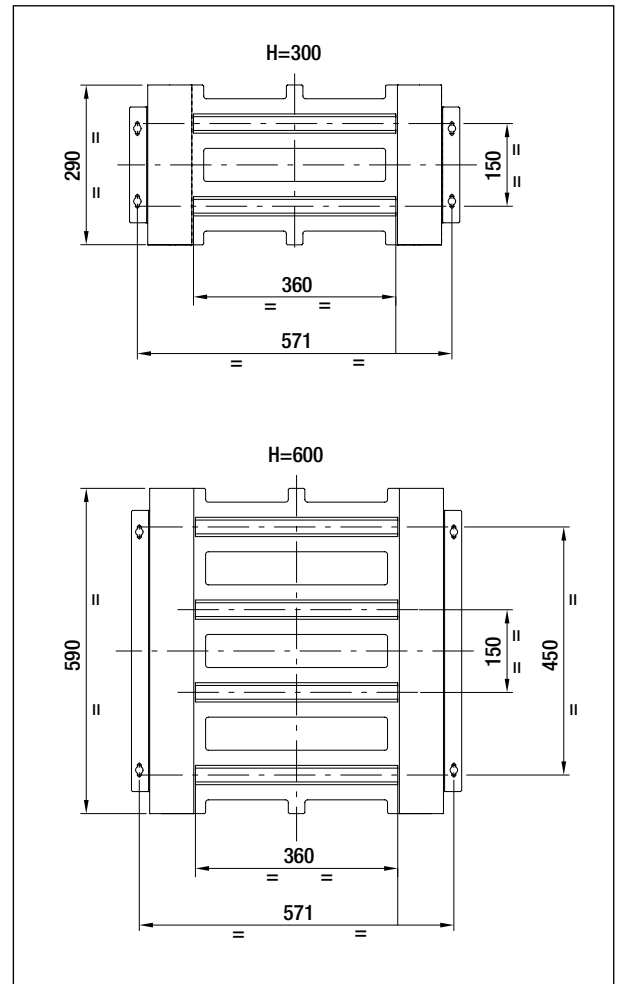
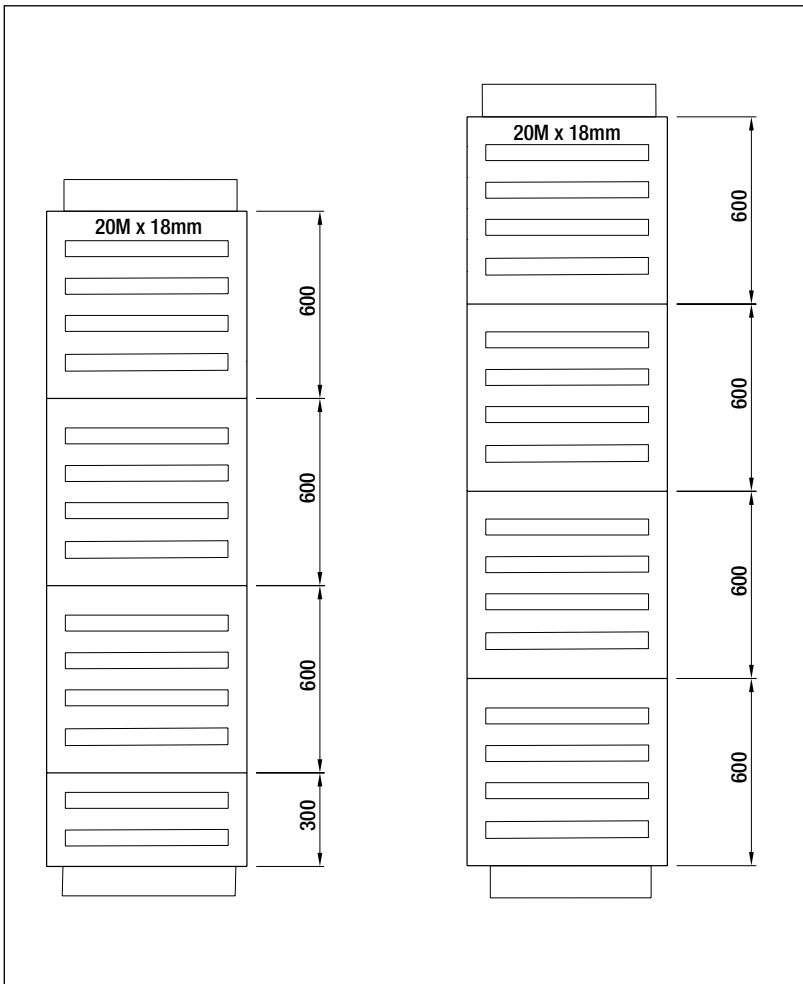
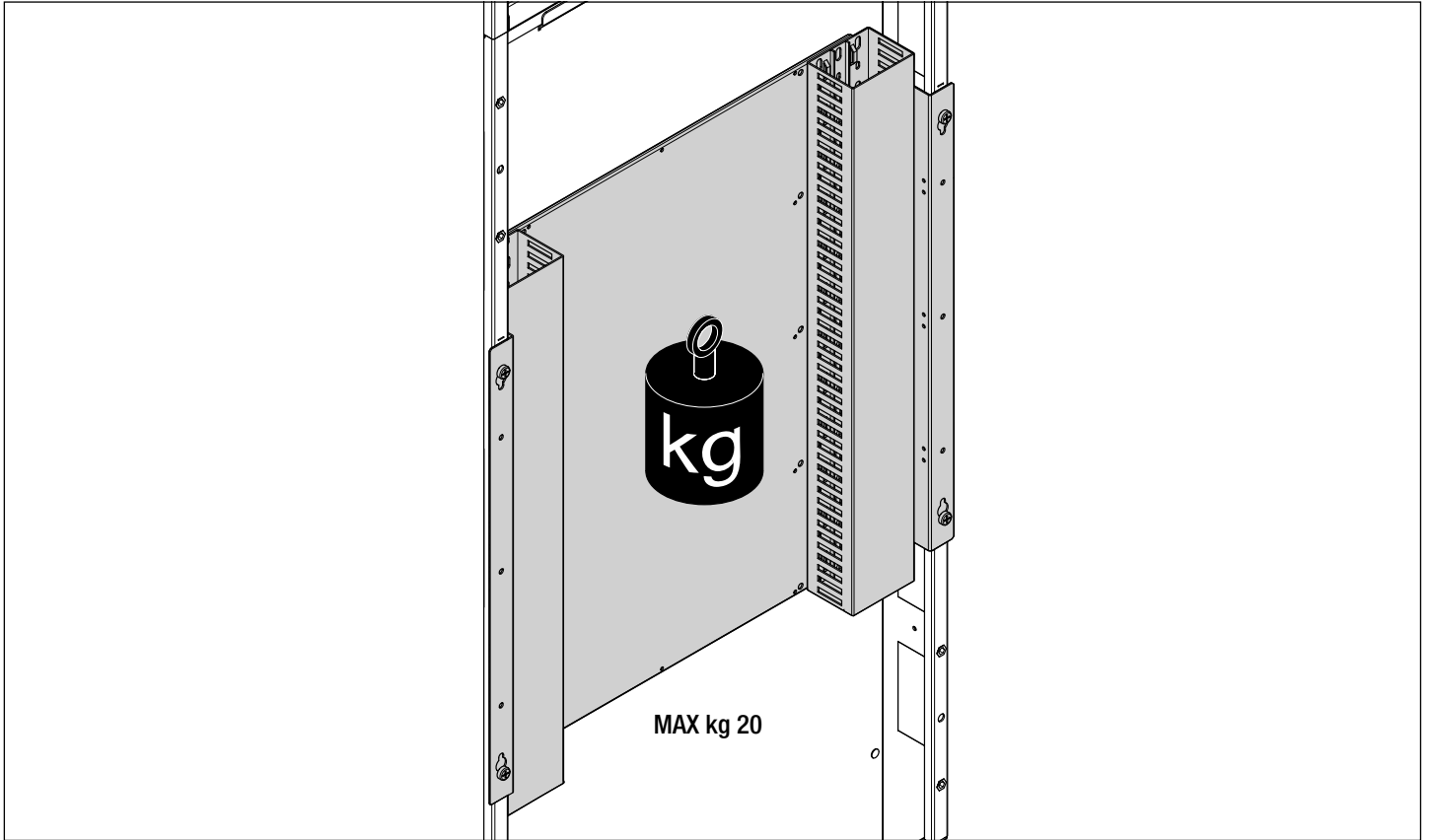
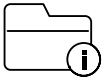


H 300	GW N1 012 2 DIN	GW N1 022	
	 n°20 x 18mm		
H 600	GW N1 014 4 DIN	GW N1 024	GW N1 031F
	 n°20 x 18mm		




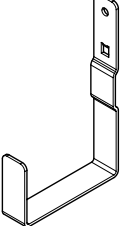
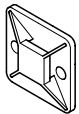
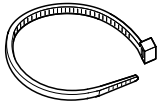



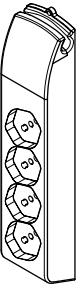
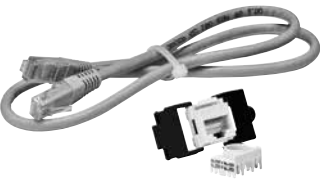








CEI 306-2
CEI 23-48
CEI 23-49
EN 60670-1
EN 60670-24
CEI 23-50
IEC 60884-1

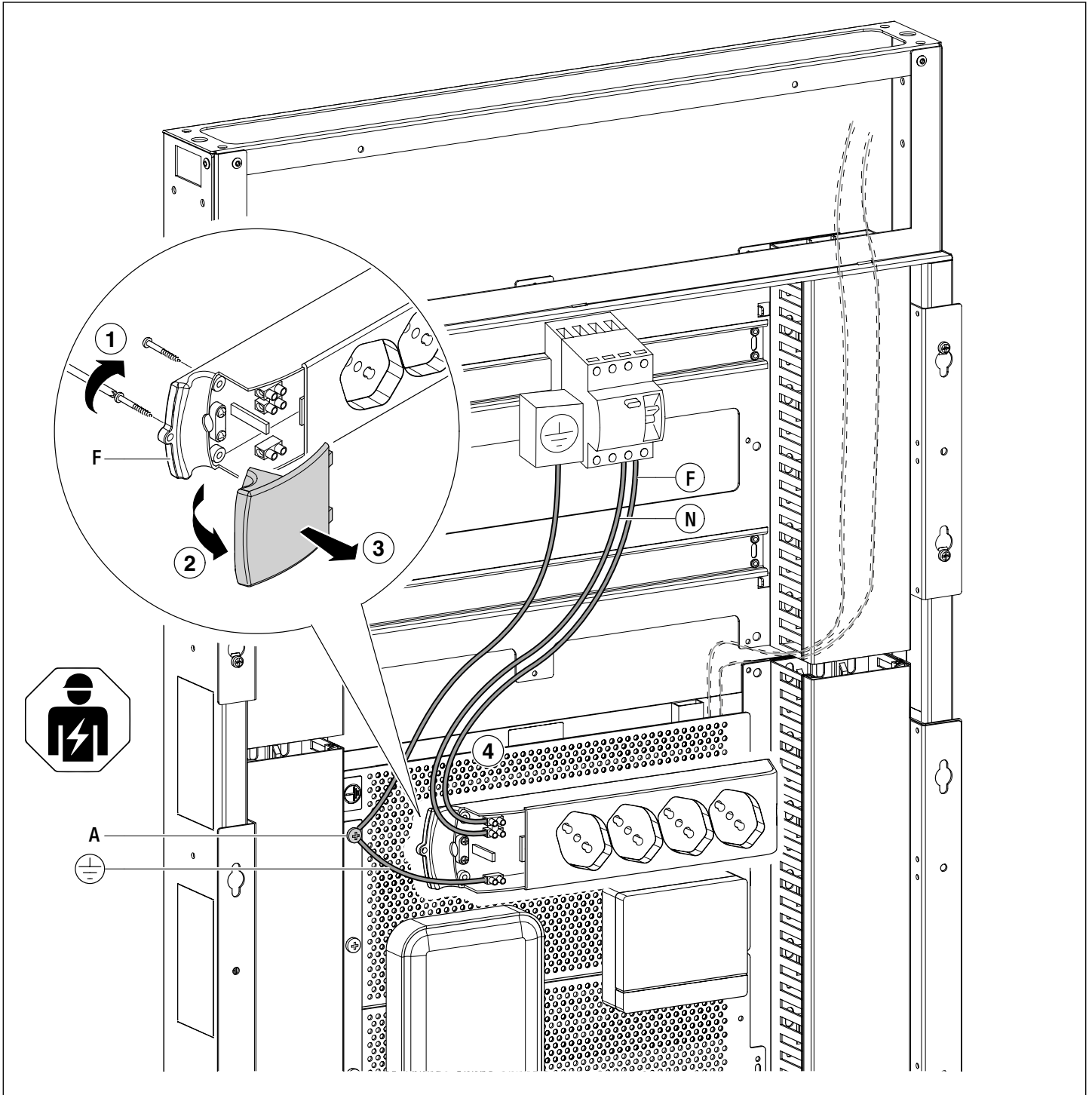
Pde	50W
Un	250V
Ui	750V



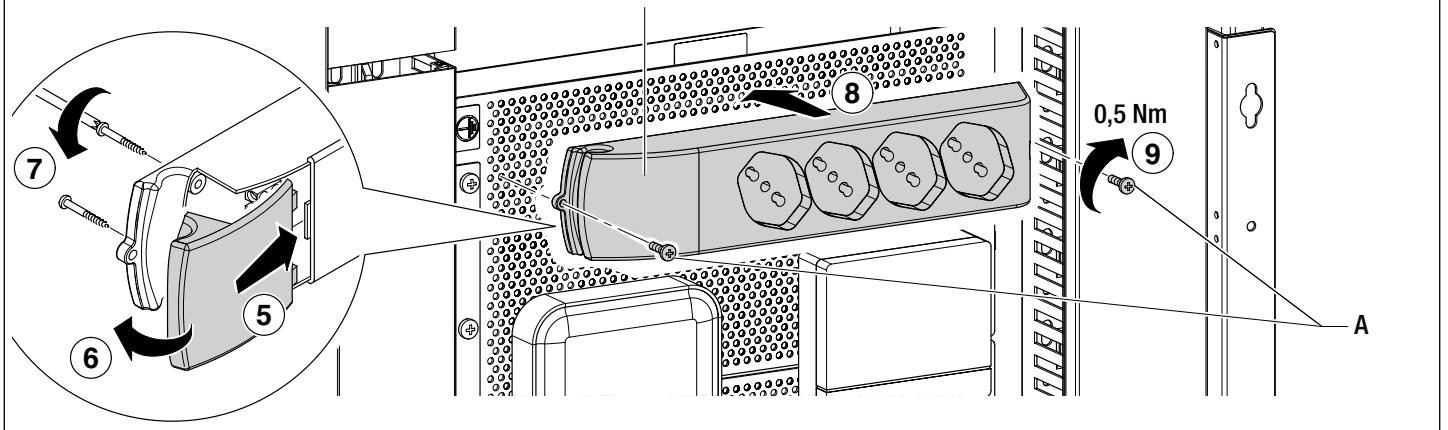
<p>4x10</p>  <p>A</p> <p>24</p>	 <p>B</p> <p>6</p>	 <p>C</p> <p>6</p>	 <p>D</p> <p>6</p>	 <p>E</p> <p>3</p>
--	---	---	---	---

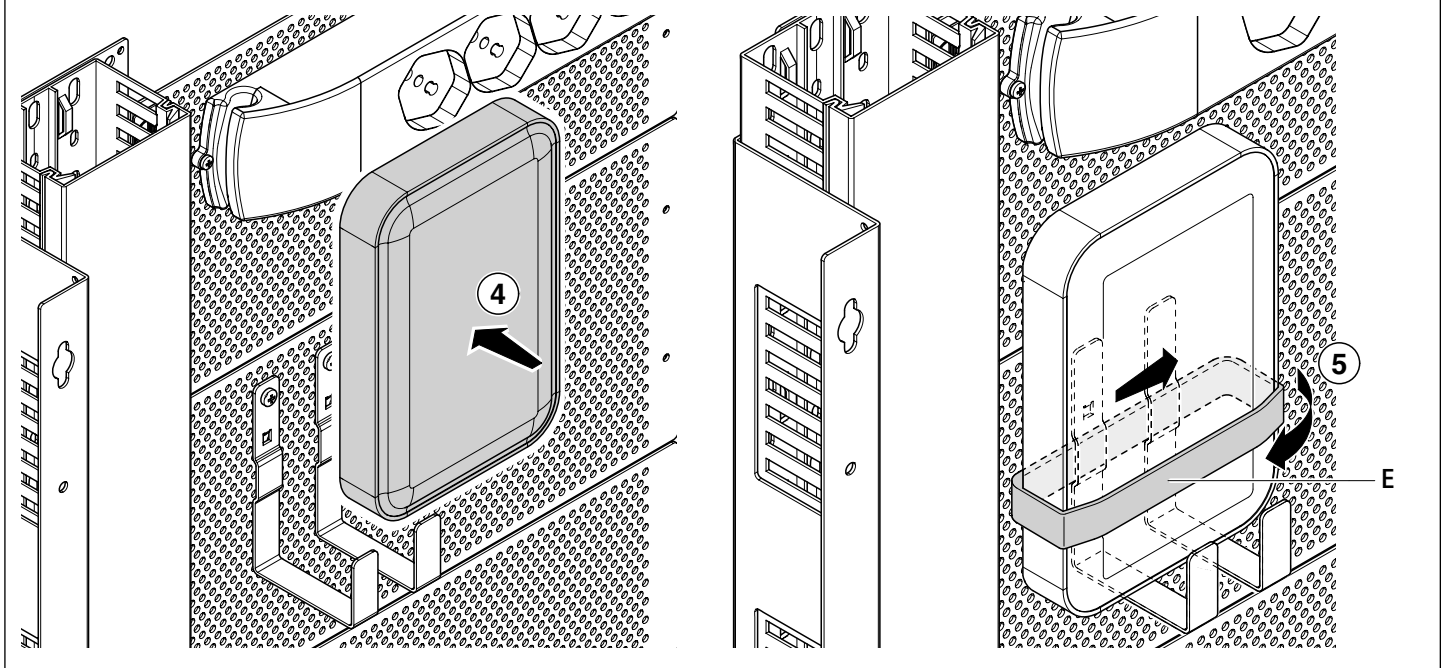
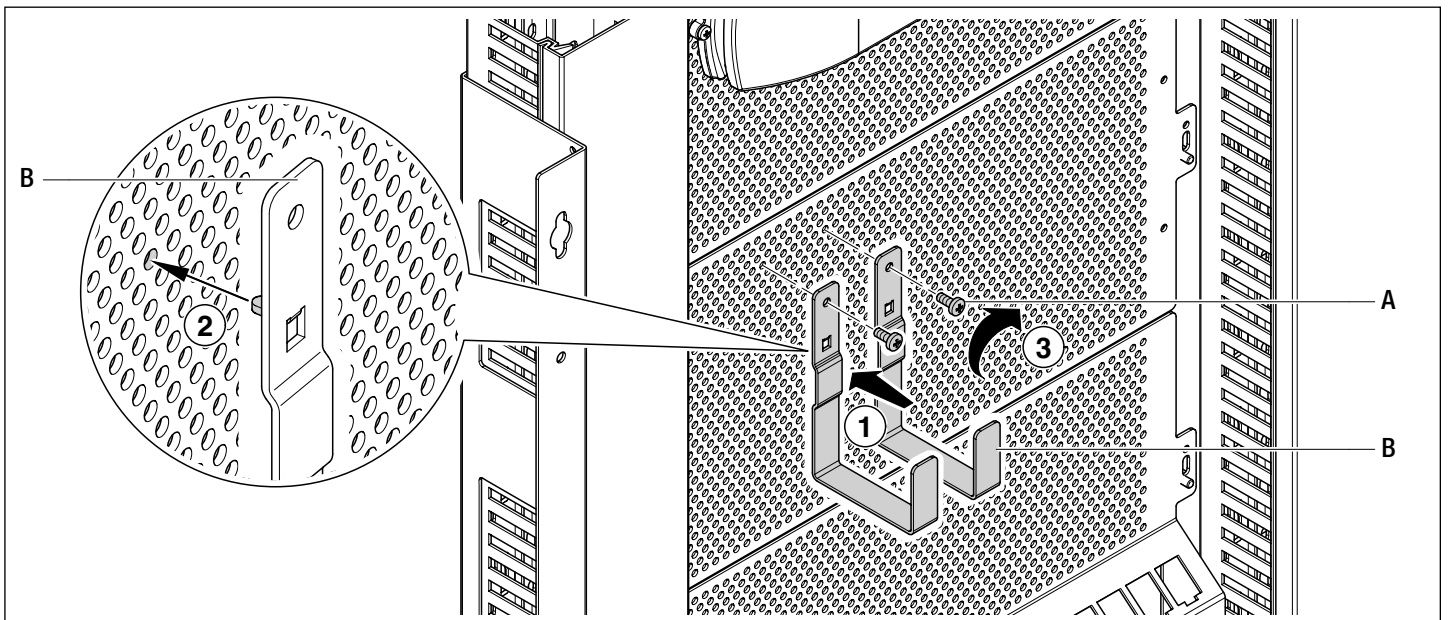
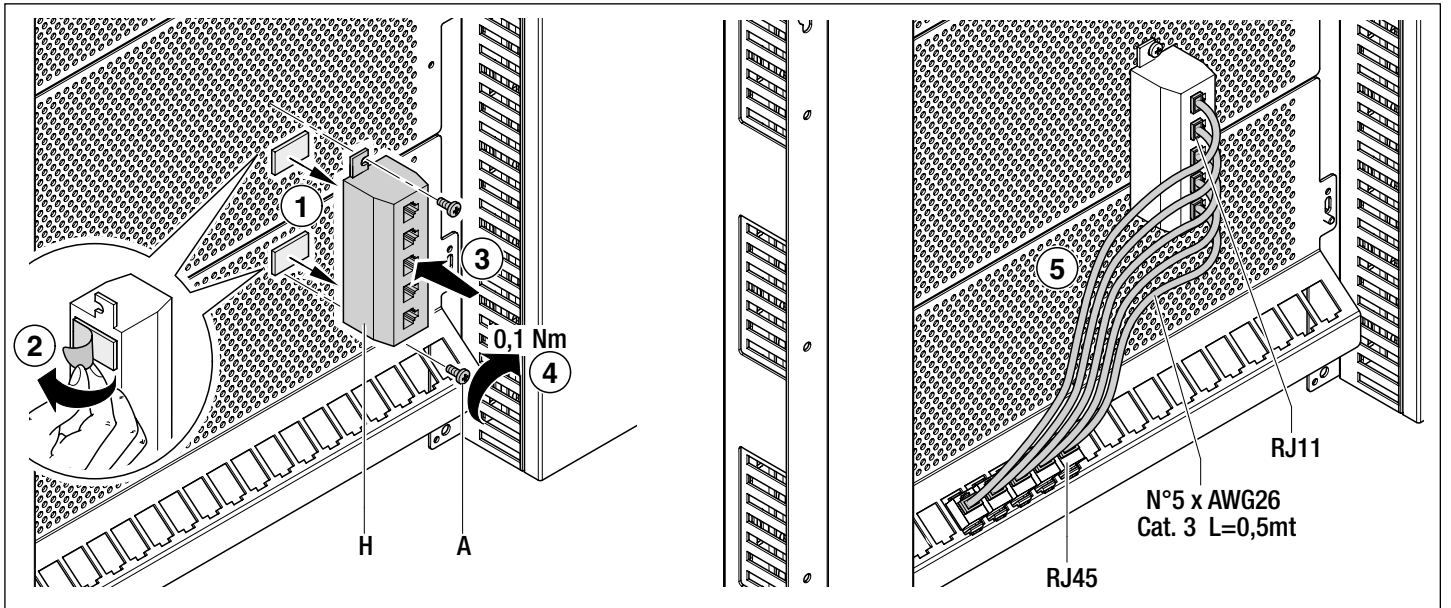
 <p>F</p> <p>1</p>	 <p>G</p> <p>6</p>	 <p>H</p> <p>1</p>	 <p>I</p> <p>1</p>
---	---	--	---

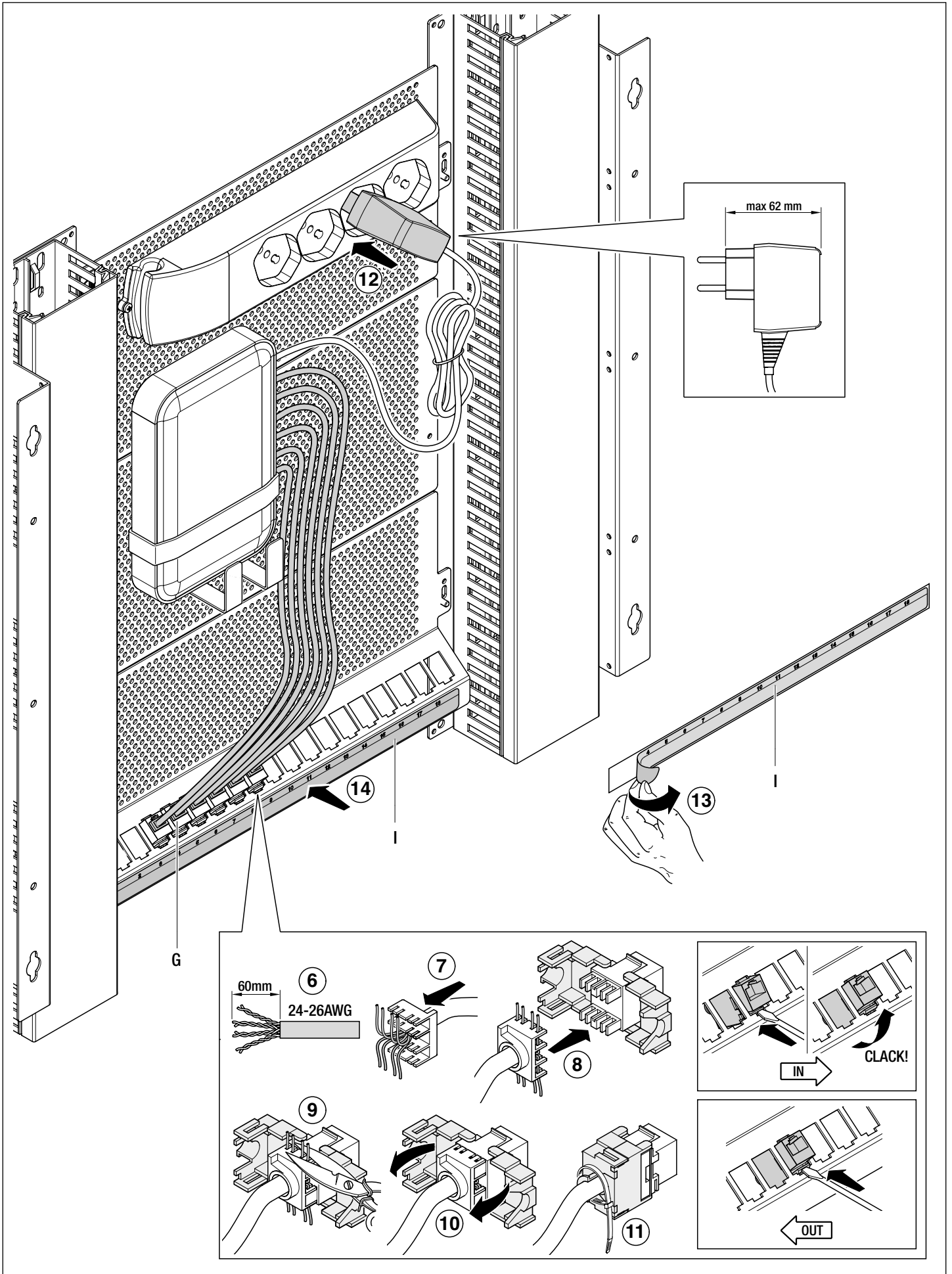
 <p>GW 38 311</p>	 <p>GW 38 338 GW 38 341 - 15m GW 38 342 - 30m GW 38 343 - 50m GW 38 344 - 65m</p>	 <p>GW 38 097</p>	 <p>GW 38 098</p>
---	---	--	---

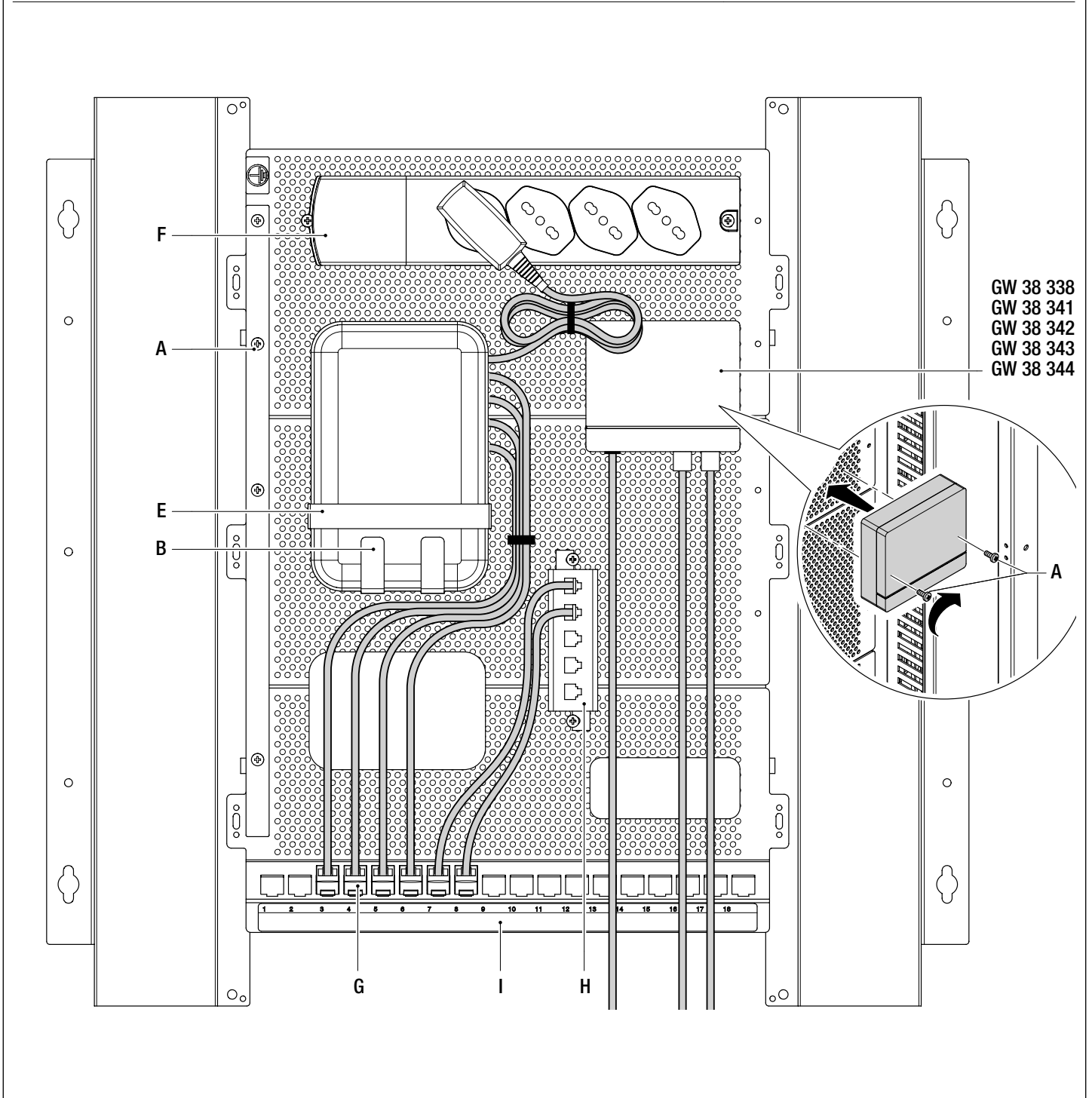
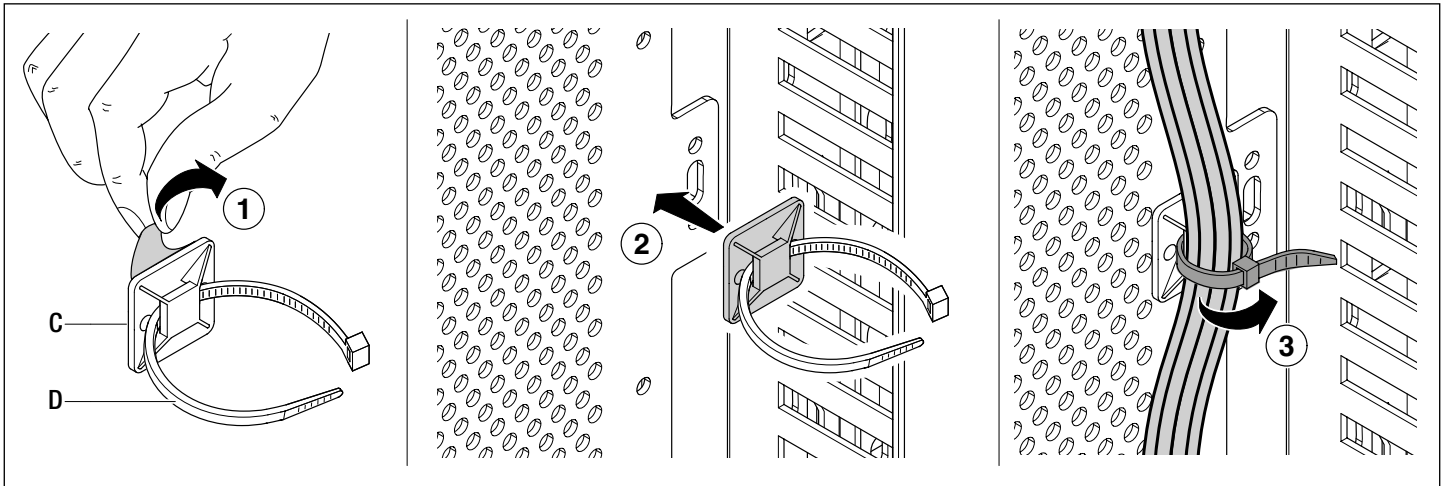


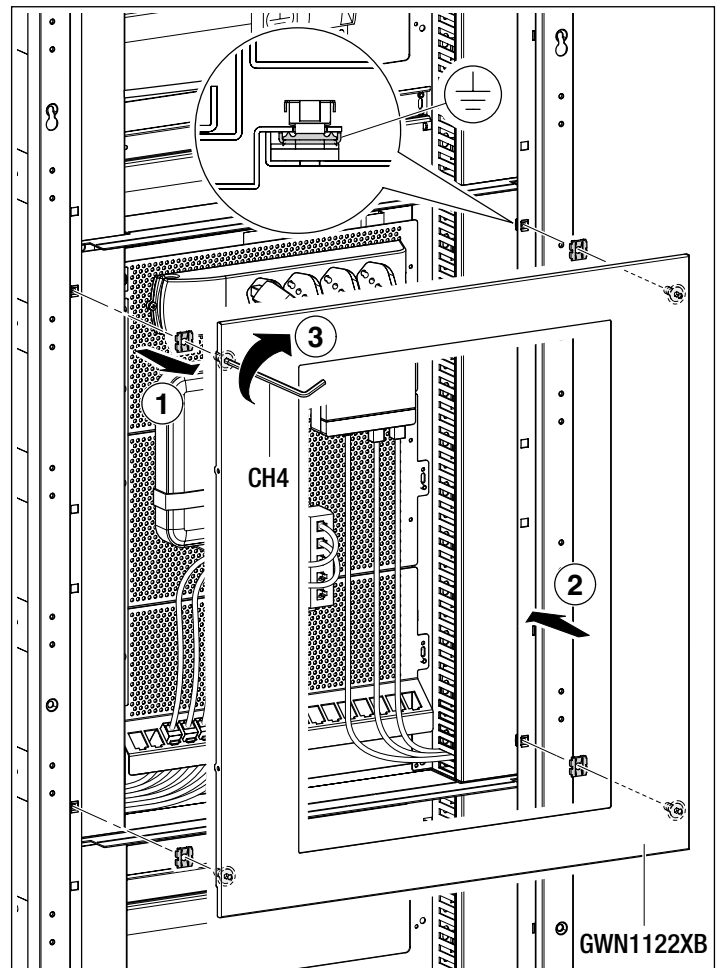
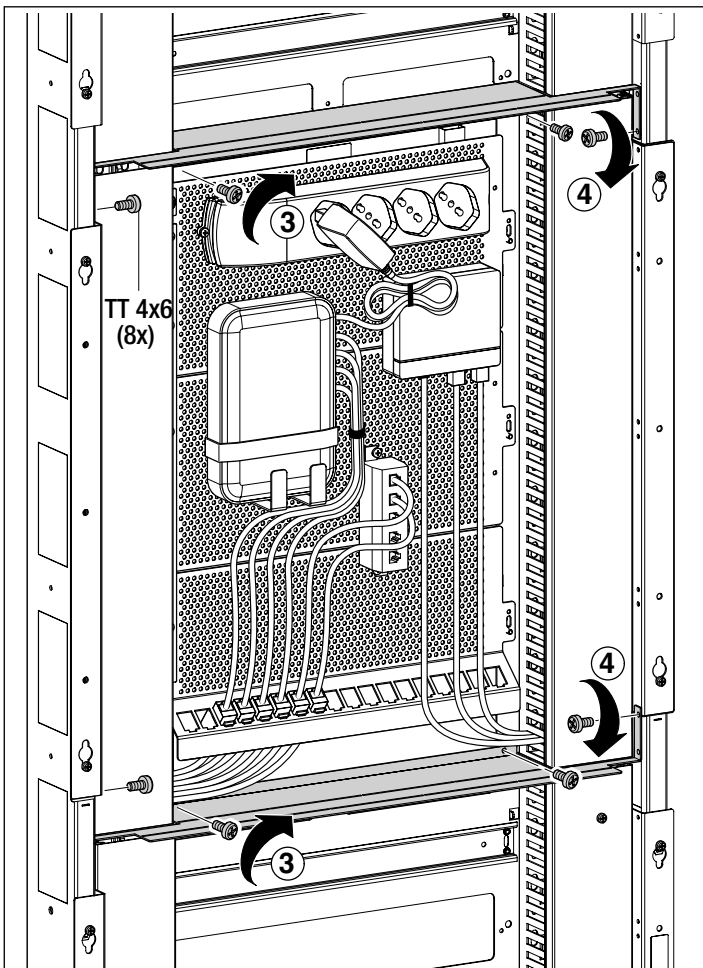
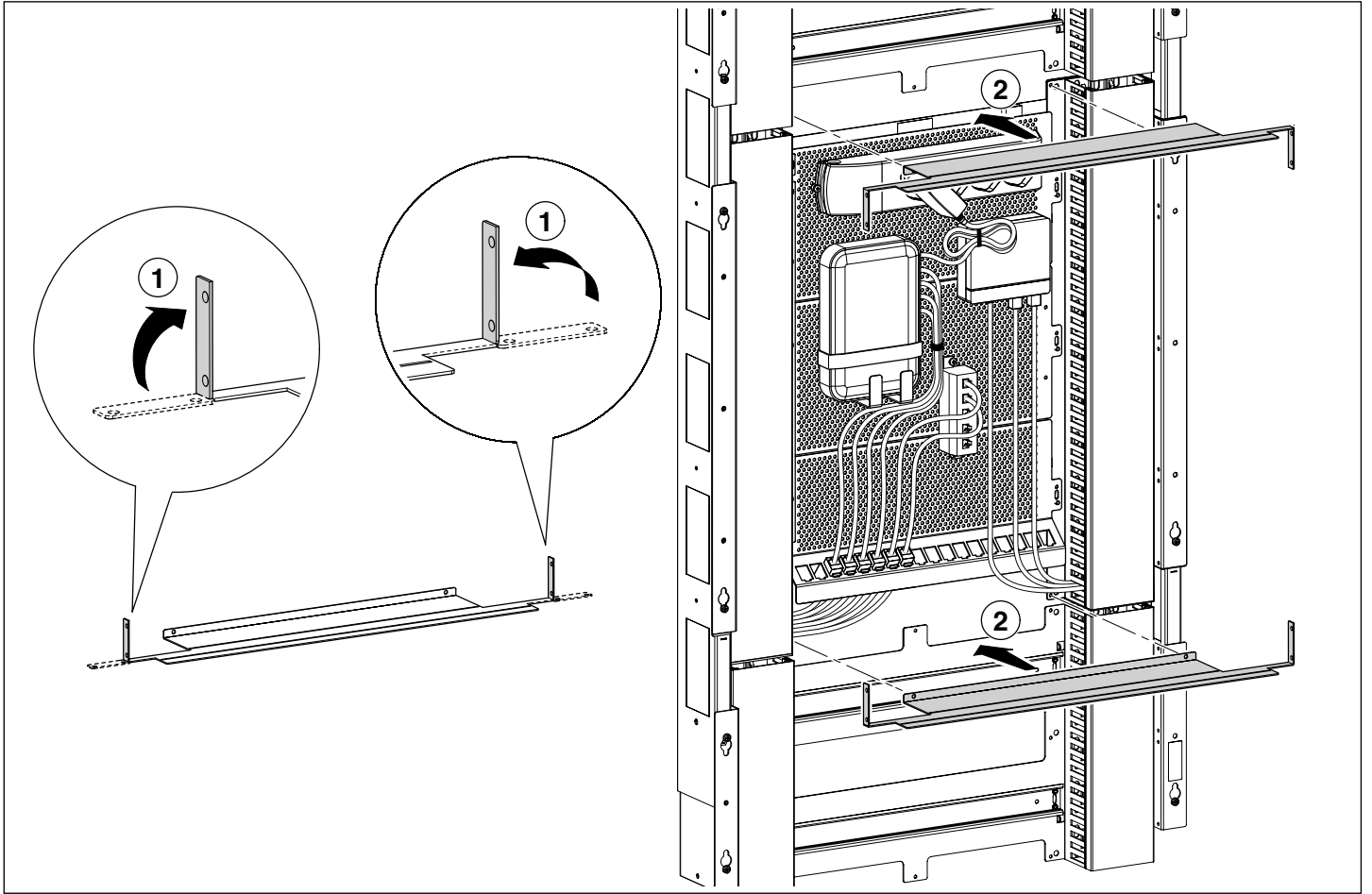
4P40 2P+T 16A 250V~











Ai sensi delle Decisioni e delle Direttive Europee applicabili, si informa che il responsabile dell'immissione del prodotto sul mercato Comunitario è:

According to the applicable Decisions and European Directives, the responsible for placing the apparatus on the Community market is:

GEWISS S.p.A. Via A.Volta, 1 IT-24069 Cenate Sotto (BG) Italy Tel: +39 035 946 111 Fax: +39 035 946 270 E-mail: qualitymarks@gewiss.com



+39 035 946 111

8.30 - 12.30 / 14.00 - 18.00
lunedì + venerdì - monday + friday



+39 035 946 260



sat@gewiss.com
www.gewiss.com