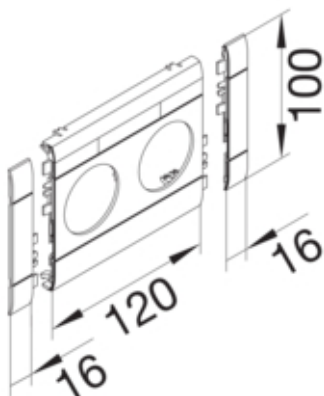




Masca dubla fara halogen, 100mm, alb polar

GB10020K9010



#### Configuratie

|   |                 |
|---|-----------------|
| tip de produs ( capac pre-taiat pentru canal cablu) | Capac 2 aparate |
| Sistem de plinta                                    | BR              |

#### Capac, usa

|           |        |
|-----------|--------|
| Latime OT | 100 mm |
|-----------|--------|

#### Materiale

|                |                    |
|----------------|--------------------|
| Culoare RAL    | RAL 9010 - alb pur |
| Culoare        | alb pur            |
| Material       | ABS                |
| Grup materiale | Plastic            |
| Suprafata      | fara               |

#### Dimensiuni

|                       |        |
|-----------------------|--------|
| Lungime               | 152 mm |
| Diametrul deschiderii | 48 mm  |

#### Montare

|                    |    |
|--------------------|----|
| Folie de protectie | Nu |
|--------------------|----|

#### Echipament

|   |    |
|---|----|
| numar iesiri (capac pre-taiat pentru canal cablu) | 2  |
| Caserare de taiere                                | Da |

#### Standarde

|                                    |                        |
|------------------------------------|------------------------|
| Conform directivelor europene RoHs | conformitate voluntara |
|------------------------------------|------------------------|

#### Protectie

|              |    |
|--------------|----|
| Fara halogen | da |
|--------------|----|

**Conditii de utilizare**

---

Temperatura de regim

-25/90 °C

---