

PRODUCT FAMILY DATASHEET

PARATHOM DIM MR11

LED SUPERSTAR PIN G4 12 V DIM



AREAS OF APPLICATION

- Display cabinets and shop windows
- Museums, art galleries
- Exhibition rooms
- Hospitality
- Residential interiors
- As a downlight for marking walkways, doors, stairs, etc.
- Outdoor applications only in suitable luminaires

PRODUCT BENEFITS

- Very long lifetime of up to 25,000 h
- Low energy consumption
- Easy relamping thanks to compact design and GU4 base
- Instant 100 % light, no warm-up time

PRODUCT FEATURES

- Professional LED alternative to halogen MR11 lamps
- Good color rendering index $R_a: \geq 80$
- Dimmable (with many common dimmers, see also www.ledvance.com/dim)
- Mercury-free lamps



TECHNICAL DATA

Product description	Electrical data					Photometrical data				
	Nominal wattage	Nominal voltage	Claimed equiv. conventional lamp power	Max. lamp no. on circuit break. 10 A (B)	Max. lamp no. on circuit break. 16 A (B)	Luminous intensity [PIM]	Nominal luminous flux	Rated luminous flux	Color temperature	Lumen main.fact.a t end of nom.life time
P MR11 20 30° 3.1 W/2700K GU4 ¹⁾	3.10 W	12 V	20 W			500 cd	184 lm	184 lm	2700 K	0.70
P MR11 20 36° 2.6 W/2700K GU4 ¹⁾	2.60 W	12 V	20 W			400 cd	184 lm	184 lm	2700 K	0.70
P MR11 20 36° 3.2 W/2700K GU4 ¹⁾	3.20 W	12 V	20 W	30	48	400 cd	184 lm	184 lm	2700 K	0.70
P MR11 35 36° 4 W/2700K GU4 ¹⁾	4.00 W	12 V	35 W	33	53	800 cd	345 lm	345 lm	2700 K	0.70
P MR11 35 36° 4.5 W/2700K GU4 ¹⁾	4.50 W	12 V	35 W	30	48	800 cd	345 lm	345 lm	2700 K	0.70

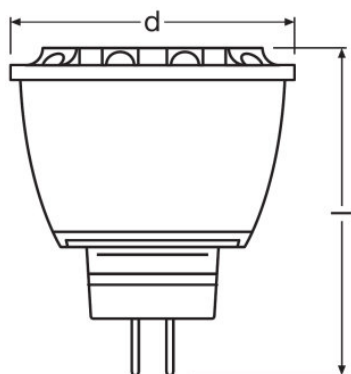
Product description	Light color (designation)	Color temperature	Luminous flux	Color rendering index Ra	Light technical data		Dimensions & weight		Temperatures & operating conditions
					Beam angle	Warm-up time (60 %)	Overall length	Diameter	Maximum temperature at tc test point
P MR11 20 30° 3.1 W/2700K GU4 ¹⁾	Warm White	2700 K	184 lm	≥80	30 °	< 0.50 s	39.0 mm	35.0 mm	83 °C
P MR11 20 36° 2.6 W/2700K GU4 ¹⁾	Warm White	2700 K	184 lm	≥80	36 °	< 0.50 s	38.0 mm	35.0 mm	83 °C
P MR11 20 36° 3.2 W/2700K GU4 ¹⁾	Warm White	2700 K	184 lm	≥90	36 °	< 0.50 s	38.0 mm	35.0 mm	85 °C
P MR11 35 36° 4 W/2700K GU4 ¹⁾	Warm White	2700 K	345 lm	≥80	36 °	< 0.50 s	38.0 mm	35.0 mm	80 °C
P MR11 35 36° 4.5 W/2700K GU4 ¹⁾	Warm White	2700 K	345 lm	≥80	36 °	< 0.50 s	38.0 mm	35.0 mm	80 °C

Product description	Lifespan		Additional product data			Capabilities	Certificates & standards	
	Nominal lamp life time	Number of switching cycles	Base (standard designation)	Mercury content	Mercury-free	Dimmable	Energy efficiency class	Energy consumption
P MR11 20 30° 3.1 W/2700K GU4 ¹⁾	25000 h	100000	GU4	0.0 mg	Yes	Yes ²⁾	A+	3 kWh/1000h
P MR11 20 36° 2.6 W/2700K GU4 ¹⁾	25000 h	100000	GU4	0.0 mg	Yes	Yes	A+	3 kWh/1000h
P MR11 20 36° 3.2 W/2700K GU4 ¹⁾	25000 h	100000	GU4	0.0 mg	Yes	Yes	A+	4 kWh/1000h
P MR11 35 36° 4 W/2700K GU4 ¹⁾	25000 h	100000	GU4	0.0 mg	Yes	Yes	A+	5 kWh/1000h
P MR11 35 36° 4.5 W/2700K GU4 ¹⁾	25000 h	100000	GU4	0.0 mg	Yes	Yes	A+	5 kWh/1000h

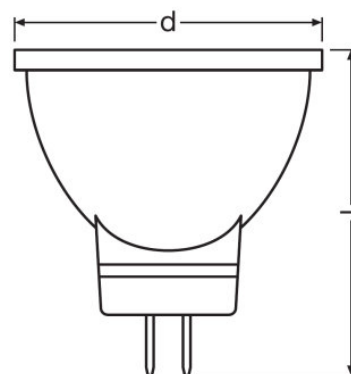
Product description	Country-specific categorizations
	ILCOS
P MR11 20 30° 3.1 W/2700K GU4 ¹⁾	DRR-2/827-12-GU4-35/30
P MR11 20 36° 2.6 W/2700K GU4 ¹⁾	DRR-3,3/827-12-GU4-35/36
P MR11 20 36° 3.2 W/2700K GU4 ¹⁾	DRR-3,3/827-12-GU4-35/36
P MR11 35 36° 4 W/2700K GU4 ¹⁾	
P MR11 35 36° 4.5 W/2700K GU4 ¹⁾	

¹⁾ All technical parameters apply to the entire lamp/Due to the complex production process for light-emitting diodes, the typical values shown for the technical LED parameters are purely statistical values that do not necessarily match the actual technical parameters of each individual product, which can vary from the typical value

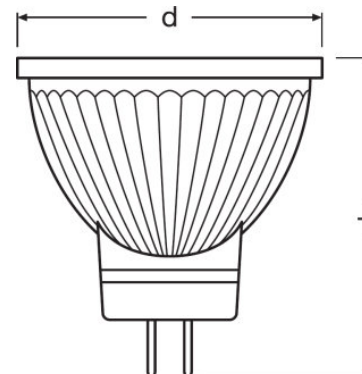
²⁾ With many common dimmers



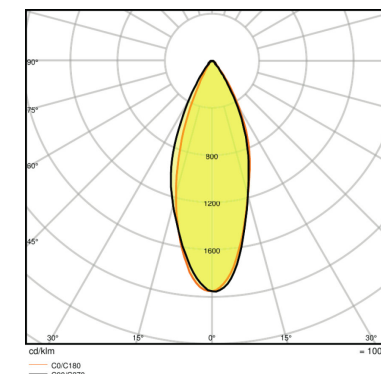
P MR11 20 30° 3.1 W/2700K GU4



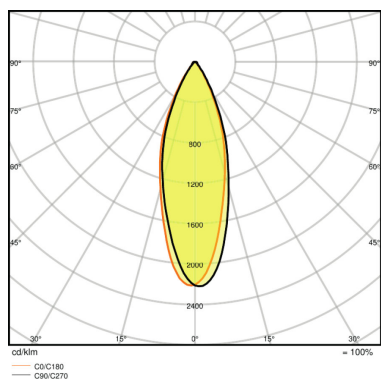
P MR11 20 36° 2.6 W/2700K GU4, P MR11 35 36° 4 W/2700K GU4



P MR11 20 36° 3.2 W/2700K GU4, P MR11 35 36° 4.5 W/2700K GU4



P MR11 20 36° 2.6 W/2700K GU4, P MR11 20 36° 3.2 W/2700K GU4



P MR11 35 36° 4 W/2700K GU4, P MR11
35 36° 4.5 W/2700K GU4

APPLICATION ADVICE

For more detailed application information and graphics please see product datasheet.

LOGISTICAL DATA

Product code	Packaging unit (Pieces/Unit)	Dimensions (length x width x height)	Gross weight	Volume
4052899939028	Shipping carton box 10	188 mm x 78 mm x 60 mm	368.00 g	0.88 dm ³
4058075813465	Shipping carton box 10	188 mm x 78 mm x 55 mm	238.00 g	0.81 dm ³
4058075263932	Shipping carton box 10	188 mm x 78 mm x 55 mm	268.00 g	0.81 dm ³
4058075105287	Shipping carton box 10	188 mm x 78 mm x 55 mm	368.00 g	0.81 dm ³
4058075264014	Shipping carton box 10	188 mm x 78 mm x 55 mm	288.00 g	0.81 dm ³

Product code	Packaging unit (Pieces/Unit)	Dimensions (length x width x height)	Gross weight	Volume
--------------	------------------------------	--------------------------------------	--------------	--------

The mentioned product code describes the smallest quantity unit which can be ordered. One shipping unit can contain one or more single products. When placing an order, for the quantity please enter single or multiples of a shipping unit.

REFERENCES / LINKS

For further products and actual information concerning LED lamps see

- ▶ www.ledvance.com/ledlamps

For Guarantee see

- ▶ www.ledvance.com/guarantee

Further information see

- ▶ www.ledvance.com/low-voltage-ledlamps

For dimming conformity see

- ▶ www.ledvance.com/dim

DISCLAIMER

Subject to change without notice. Errors and omission excepted. Always make sure to use the most recent release.