

PRODUCT FAMILY DATASHEET

PARATHOM PAR38

LED reflector lamps PAR38 with retrofit screw base



AREAS OF APPLICATION

- Display cabinets and shop windows
- Museums, art galleries
- Hospitality
- Residential interiors
- As a downlight for marking walkways, doors, stairs, etc.
- Outdoor applications only in suitable luminaires

PRODUCT BENEFITS

- Very long lifetime of up to 25,000 h
- Low energy consumption
- Easy relamping thanks to compact design
- Instant 100 % light, no warm-up time

PRODUCT FEATURES

- Professional LED alternative to PAR38 halogen lamps
- Mercury-free lamps



TECHNICAL DATA

Product description	Electrical data					Photometrical data			
	Nominal wattage	Nominal voltage	Claimed equiv. conventional lamp power	Max. lamp no. on circuit break. 10 A (B)	Max. lamp no. on circuit break. 16 A (B)	Nominal luminous flux	Rated luminous flux	Color temperature	Lumen main.fact.at end of nom.life time
P PAR 38 120 15° 12.5 W/2700K E27 ¹⁾	12.50 W	220...240 V	120 W	90	145	1035 lm	1035 lm	2700 K	0.70
P PAR 38 100 30° 12 W/2700K E27 ¹⁾	12.00 W	220...240 V	100 W			1035 lm	1035 lm	2700 K	0.70
P PAR38 120 30° 13 W/2700K E27 ¹⁾	13.00 W	220...240 V	120 W	31	50	1035 lm	1035 lm	2700 K	0.70
P PAR 38 120 30° 12.5 W/2700K E27 ¹⁾	12.50 W	220...240 V	120 W	90	145	1035 lm	1035 lm	2700 K	0.70
P PAR 38 13 W/ E27 ¹⁾	13.00 W	220...240 V		31	50	300 lm	300 lm		0.70

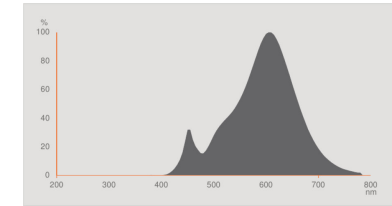
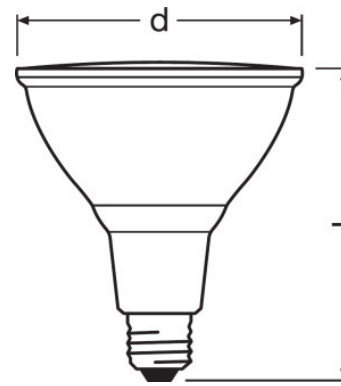
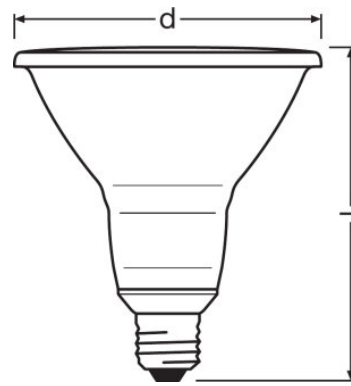
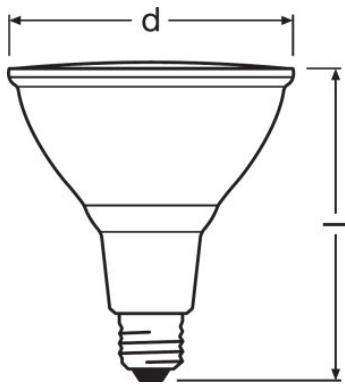
Product description	Light color (designation)	Color temperature	Luminous flux	Color rendering index Ra	Luminous intensity [PIM]	Light technical data		Dimensions & weight		Temperatures & operating conditions
						Beam angle	Warm-up time (60 %)	Overall length	Diameter	Maximum temperature at tc test point
P PAR 38 120 15° 12.5 W/2700K E27 ¹⁾	Warm White	2700 K	1035 lm	≥80		15 °	< 0.50 s	134.0 mm	122.0 mm	85 °C
P PAR 38 100 30° 12 W/2700K E27 ¹⁾	Warm White	2700 K	1035 lm	≥80	2400 cd	30 °	< 0.50 s	133.0 mm	122.0 mm	75 °C
P PAR38 120 30° 13 W/2700K E27 ¹⁾	Warm White	2700 K	1035 lm	≥80		30 °	< 0.50 s	134.0 mm	122.0 mm	75 °C
P PAR 38 120 30° 12.5 W/2700K E27 ¹⁾	Warm White	2700 K	1035 lm	≥80		30 °	< 0.50 s	132.0 mm	120.0 mm	85 °C
P PAR 38 13 W/ E27 ¹⁾	Green		300 lm	-			< 0.50 s	134.0 mm	122.0 mm	75 °C

Product description	Lifespan		Additional product data			Capabilities	Certificates & standards	
	Nominal lamp life time	Number of switching cycles	Base (standard designation)	Mercury content	Mercury-free	Dimmable	Energy efficiency class	Energy consumption
P PAR 38 120 15° 12.5 W/2700K E27 ¹⁾	25000 h	100000	E27	0.0 mg	Yes	No	A+	13 kWh/1000h
P PAR 38 100 30° 12 W/2700K E27 ¹⁾	25000 h	15000	E27	0.0 mg	Yes	No	A+	12 kWh/1000h
P PAR38 120 30° 13 W/2700K E27 ¹⁾	25000 h	100000	E27	0.0 mg	Yes	No	A+	13 kWh/1000h

Product description	Lifespan		Additional product data			Capabilities	Certificates & standards	
	Nominal lamp life time	Number of switching cycles	Base (standard designation)	Mercury content	Mercury-free	Dimmable	Energy efficiency class	Energy consumption
P PAR 38 120 30° 12.5 W/2700K E27 ¹⁾	25000 h	100000	E27	0.0 mg	Yes	No	A+	13 kWh/1000h
P PAR 38 13 W/ E27 ¹⁾	25000 h	100000	E27	0.0 mg	Yes	No		13 kWh/1000h

Product description	Country-specific categorizations
	ILCOS
P PAR 38 120 15° 12.5 W/2700K E27 ¹⁾	
P PAR 38 100 30° 12 W/2700K E27 ¹⁾	DRPAR-12/827-220-240-E27-120/30
P PAR38 120 30° 13 W/2700K E27 ¹⁾	
P PAR 38 120 30° 12.5 W/2700K E27 ¹⁾	
P PAR 38 13 W/ E27 ¹⁾	

¹⁾ All technical parameters apply to the entire lamp/Due to the complex production process for light-emitting diodes, the typical values shown for the technical LED parameters are purely statistical values that do not necessarily match the actual technical parameters of each individual product, which can vary from the typical value

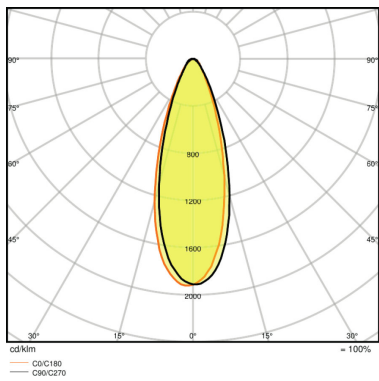


P PAR 38 120 15° 12.5 W/2700K E27, P PAR38 120 30° 13 W/2700K E27, P PAR 38 120 30° 12.5 W/2700K E27

P PAR 38 100 30° 12 W/2700K E27

P PAR 38 13 W/ E27

P PAR 38 120 15° 12.5 W/2700K E27



P PAR38 120 30° 13 W/2700K E27, P PAR 38 120 30° 12.5 W/2700K E27

APPLICATION ADVICE

For more detailed application information and graphics please see product datasheet.

LOGISTICAL DATA

Product code	Packaging unit (Pieces/Unit)	Dimensions (length x width x height)	Gross weight	Volume
4058075105461	Shipping carton box 6	393 mm x 269 mm x 184 mm	2237.00 g	19.45 dm ³
4058075264076	Shipping carton box 6	402 mm x 278 mm x 196 mm	3070.00 g	21.90 dm ³
4058075813304	Shipping carton box 6	393 mm x 269 mm x 184 mm	2905.00 g	19.45 dm ³
4058075105508	Shipping carton box 6	393 mm x 269 mm x 184 mm	2897.00 g	19.45 dm ³
4058075264113	Shipping carton box 6	402 mm x 278 mm x 196 mm	3125.00 g	21.90 dm ³
4058075117181	Shipping carton box 6	402 mm x 278 mm x 196 mm	2965.00 g	21.90 dm ³

The mentioned product code describes the smallest quantity unit which can be ordered. One shipping unit can contain one or more single products. When placing an order, for the quantity please enter single or multiples of a shipping unit.

REFERENCES / LINKS

For further products and actual information concerning LED lamps see

▶ www.ledvance.com/ledlamps

For Guarantee see

▶ www.ledvance.com/guarantee

DISCLAIMER

Subject to change without notice. Errors and omission excepted. Always make sure to use the most recent release.