

COMMUNICATION CARD SLOT ADAPTER

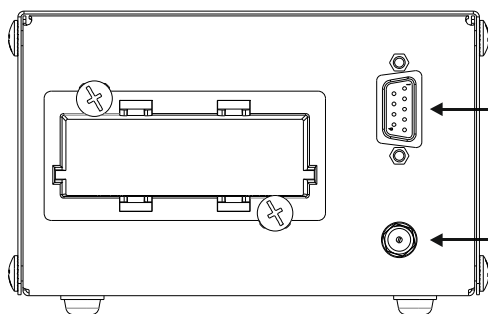
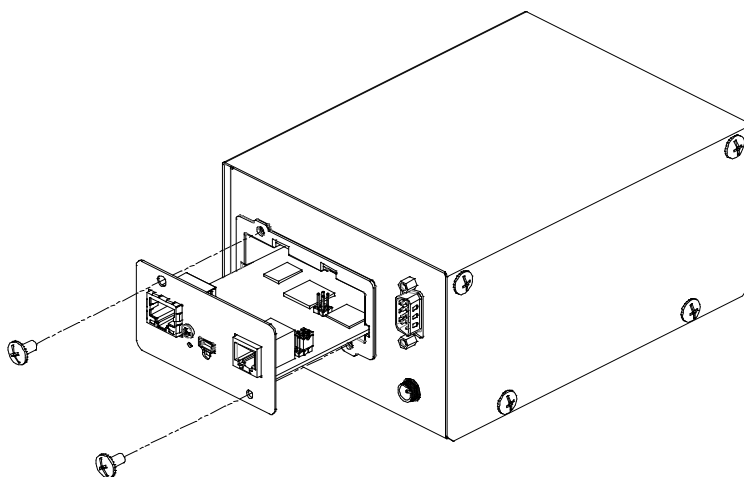
quick start

SUPPORTED DEVICES

NetMan 204 – MultiCOM 302 – MultiCOM 352

INSTALLATION

Remove the two retaining screws, insert the card and fix it with the screws.



Connect to the UPS serial port

Connect to the power supply

SERIAL PORT PINOUT									
	1	2	3	4	5	6	7	8	9
	-	RXD	TXD	+12Vdc	GND	-	-	-	-

POWER SUPPLY TECHNICAL DATA



+12Vdc

500mA