

INSTALLATION MANUAL

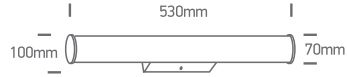
38116F

ecolight

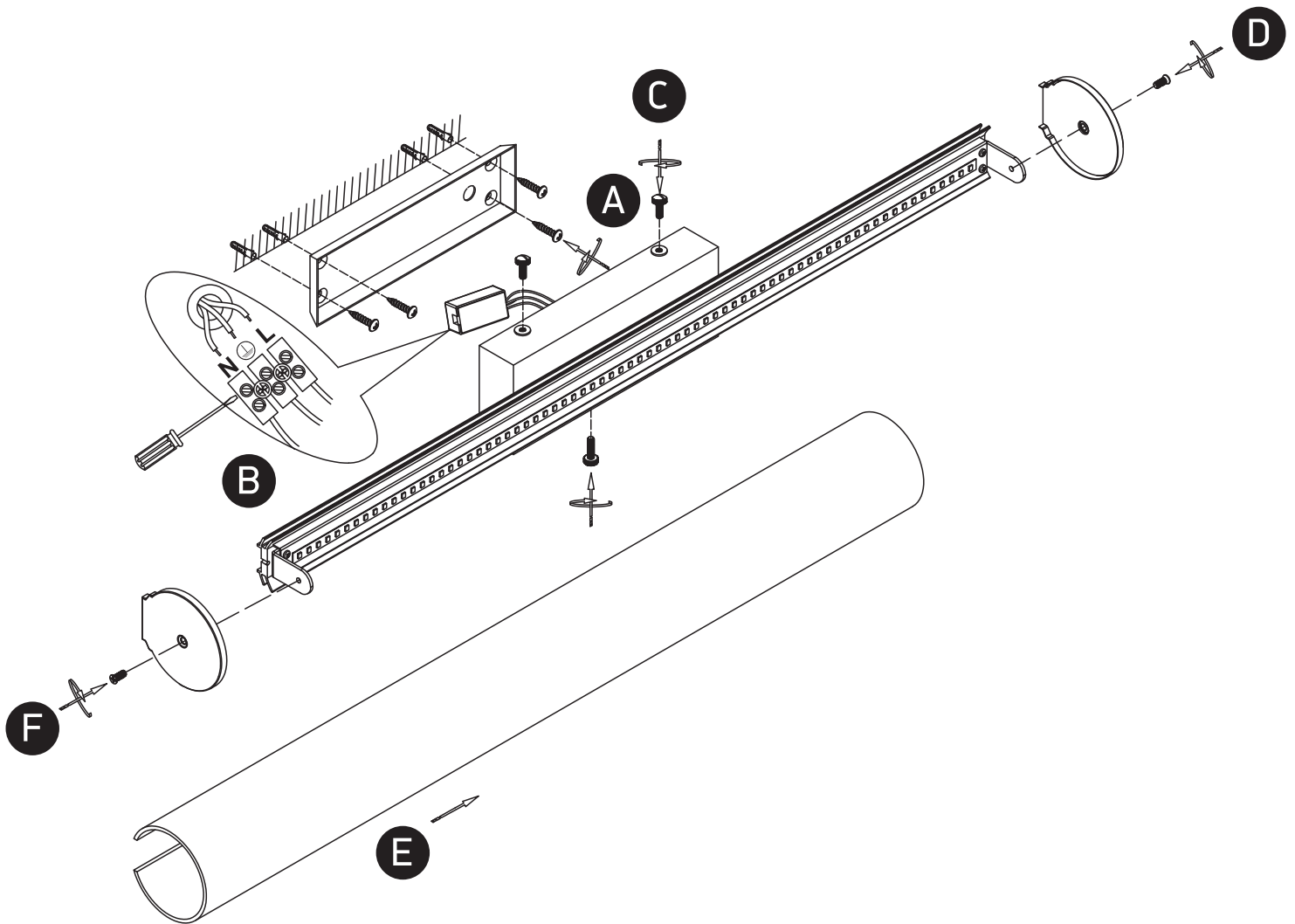


230V | SMD 2835 | 16W | IP44 | Aluminium + opal glass
Complete with 600mA driver.

80
CRI



one
LIGHT



Warnings:

1. Make sure that the product is installed properly before connecting to electricity.
2. Do not cover the fitting.
3. Maintenance and installation should only be carried out by a professional electrician.