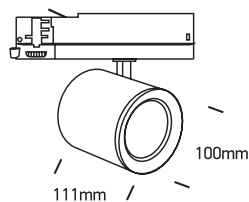


INSTALLATION MANUAL

65654BT


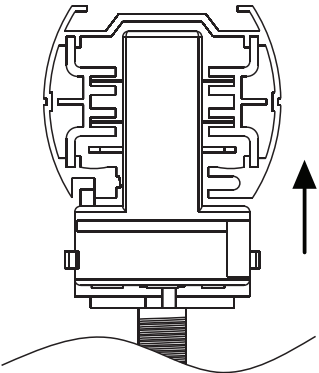
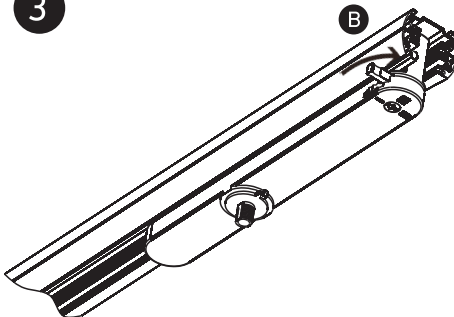




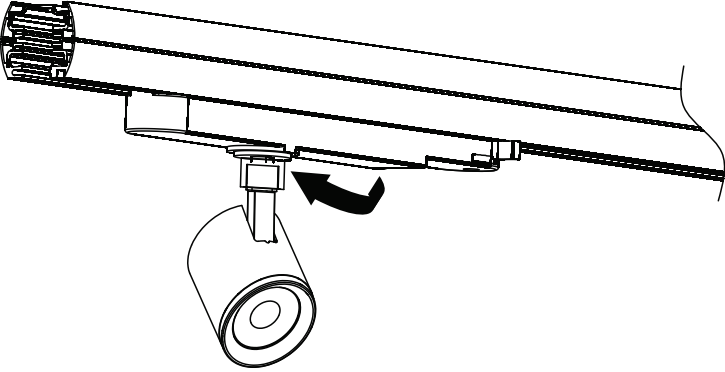
ecotracksport



one
LIGHT

30W | 230V | 50/60Hz | IP20 | Adjustable | Aluminium

Complete with 750mA driver

| | | |
|---|---|---|
| <p>1</p>  <p>To mount the track adaptor into the track system, first check that the selector knob A is at OFF position and the adaptor lock B is disengaged.</p> | <p>2</p>  <p>When installing the adaptor into the track, ensure that it is orientated correctly.</p> | <p>3</p>  <p>Rotate adaptor lock B clockwise 90° to connect the adaptor to the neutral circuit.</p> |
| <p>4</p>  <p>Rotate selector knob A to the position of desired circuit.</p> | <p>4a</p>  <p>Circuit 1: Rotate the knob A 90° clockwise from the starting position OFF, to connect circuit 1.</p> | <p>4b</p>  <p>Circuit 2: Rotate the knob A 90° anti-clockwise from the starting position OFF, to connect circuit 2.</p> |
| <p>4c</p>  <p>Circuit 3: Rotate the knob A 180° clockwise from the starting position OFF, to connect circuit 3.</p> | <p>5</p>  | |

Warnings:

1. Make sure that the product is installed properly before connecting to electricity.
2. Do not cover the fitting.
3. Maintenance and installation should only be carried out by a professional electrician.