

# INSTALLATION MANUAL

38114MA

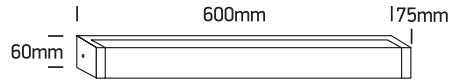
**ecolight**



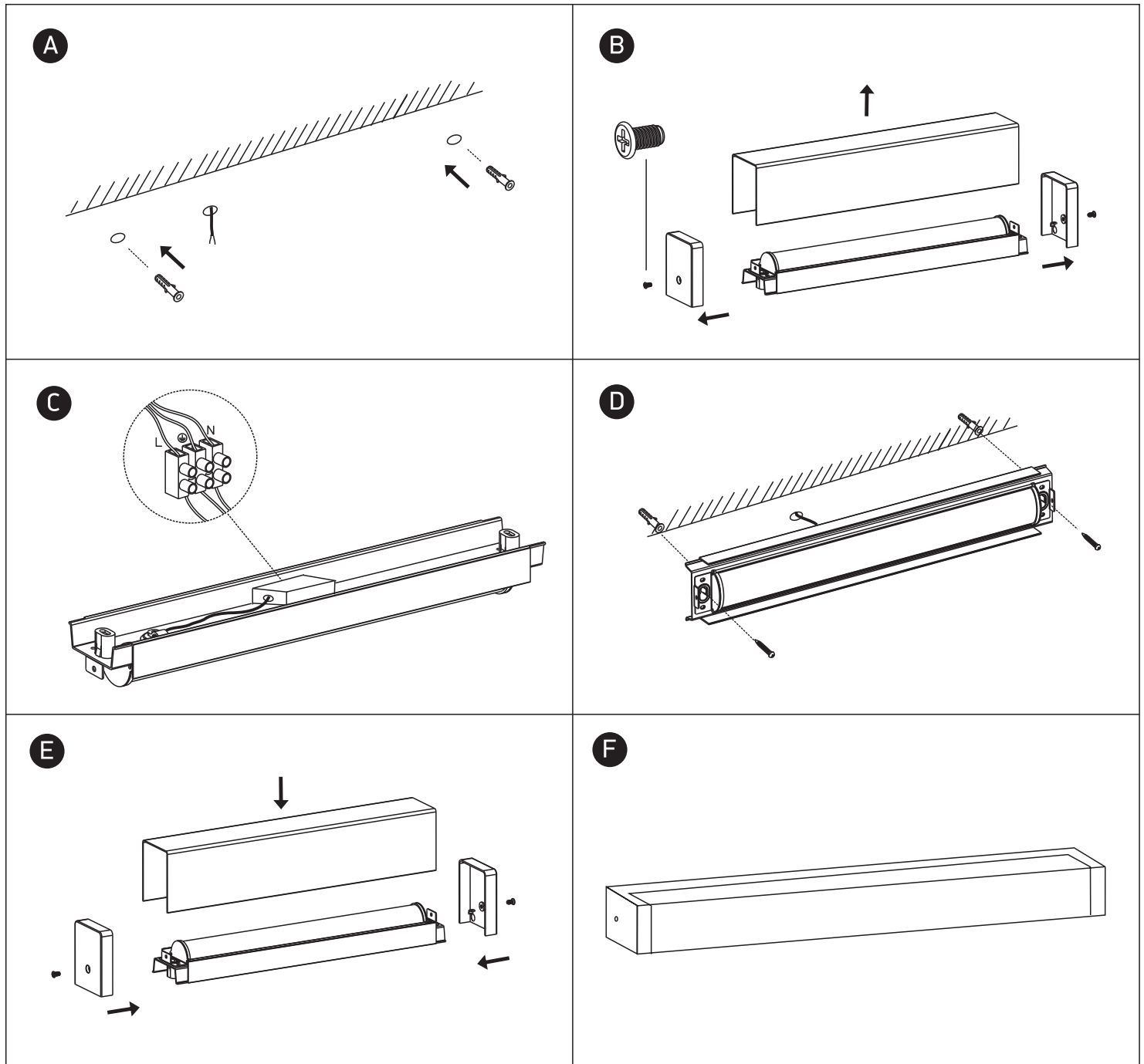
80  
CRI



230V | SMD 2835 | 16W | IP44 | Aluminium + PC  
Complete with 120mA driver.



**one**  
LIGHT



## Warnings:

1. Make sure that the product is installed properly before connecting to electricity.
2. Do not cover the fitting.
3. Maintenance and installation should only be carried out by a professional electrician.