

■ Schrack technology infrared heating system

Mounting instructions ceiling mounting frame (optional accessory)

■ General safety instructions

The requirements of the infrared heating system operating and installation instructions must be observed.

■ Attention!

The minimum distance to other ceiling installations such as: insulating material must not be less than 10 cm.

■ Attention!

For existing ceiling structures, care must be taken that the static of the false ceiling is not reduced improperly. Corresponding replacement measures must be taken into account if necessary.

■ Attention!

The minimum distance to other ceiling installations such as: insulating material must not be less than 10 cm.

■ Mounting steps

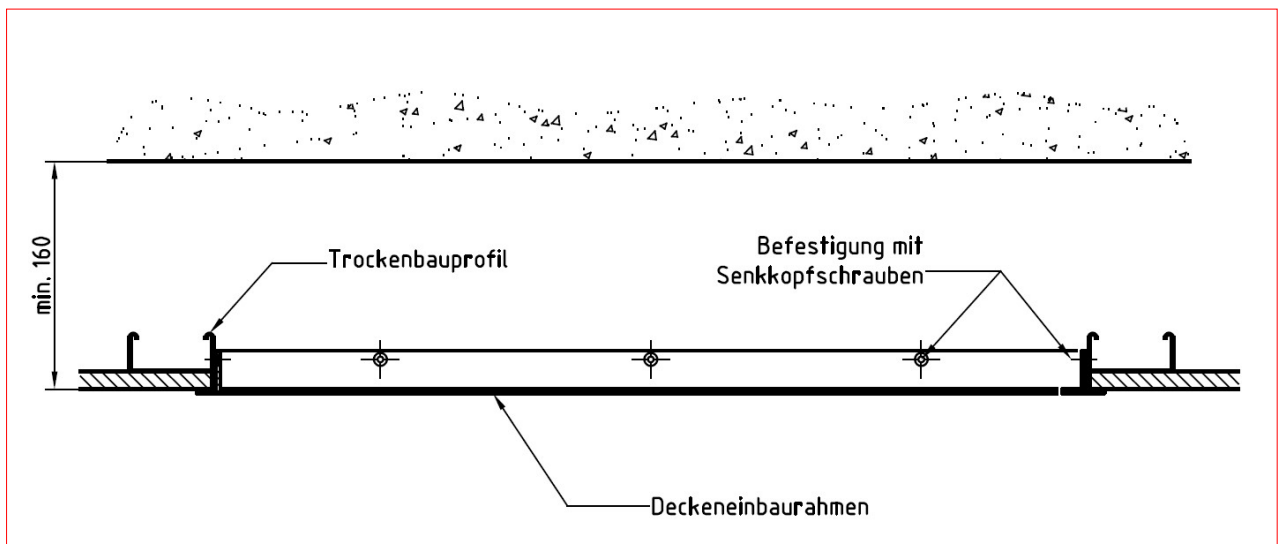
1.) Mark the position and dimensions of the infrared heater panel

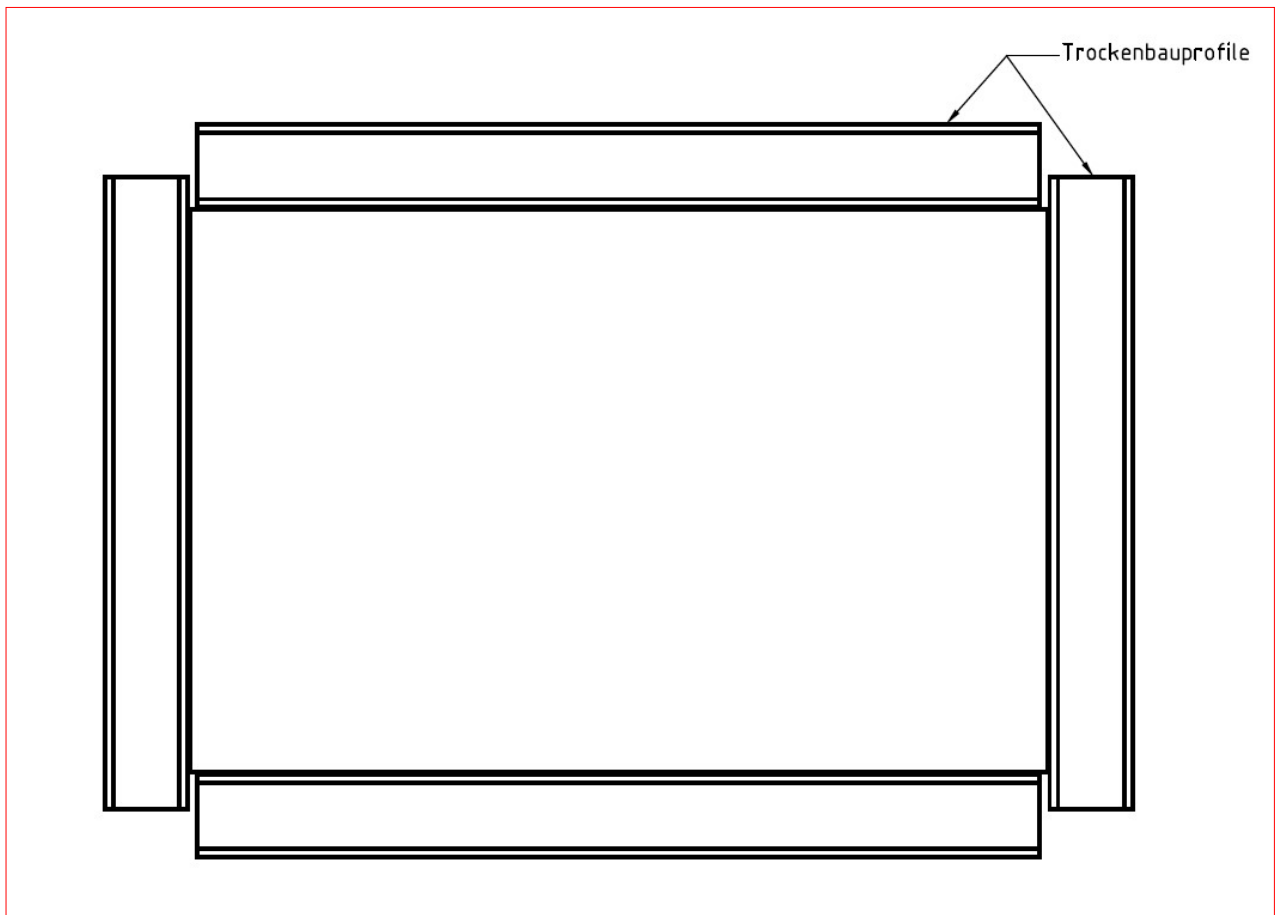
Raw openings according to table

Panel dimension	length (mm)	width (mm)
600 x 400 mm	610 - 615	410 - 415
800 x 500 mm	810 - 815	510 - 515

2.) Divide a raw opening in the false ceiling

3.) Reinforce the edges of the false ceiling with drywall profiles





4.) Position the ceiling mounting frame in the opening and secure it in this position
(for example: ceiling support)

5.) Screw the ceiling mounting frame to the holes provided with countersunk screws. Use the countersunk screws depending on the selected supporting structure

Attention!

Due to the tolerances between the mounting frame and the edge reinforcement of the false ceiling, the screws must not be tightened too tightly. It may cause damage to the mounting frame.

The screws may only be screwed in until the head rests in the countersink!

3.) Now connect the infrared heater panel according to the operating and installation instructions and place the infrared heater panel in the ceiling installation frame.