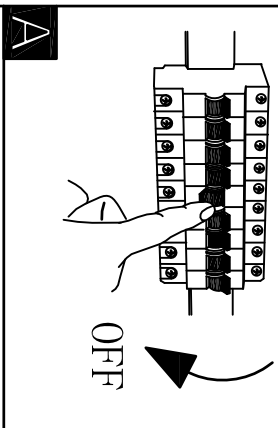
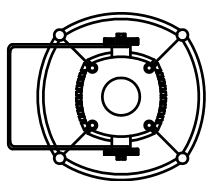
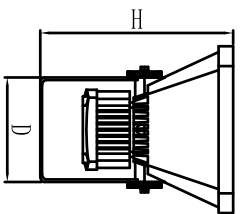


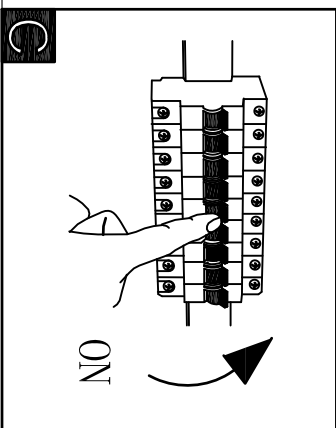
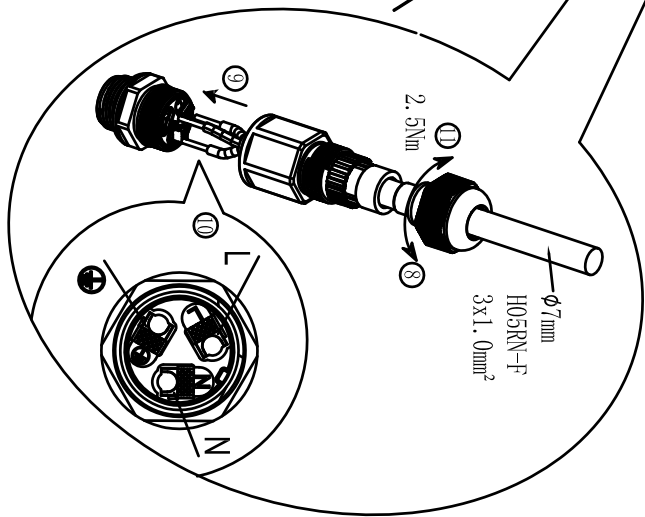
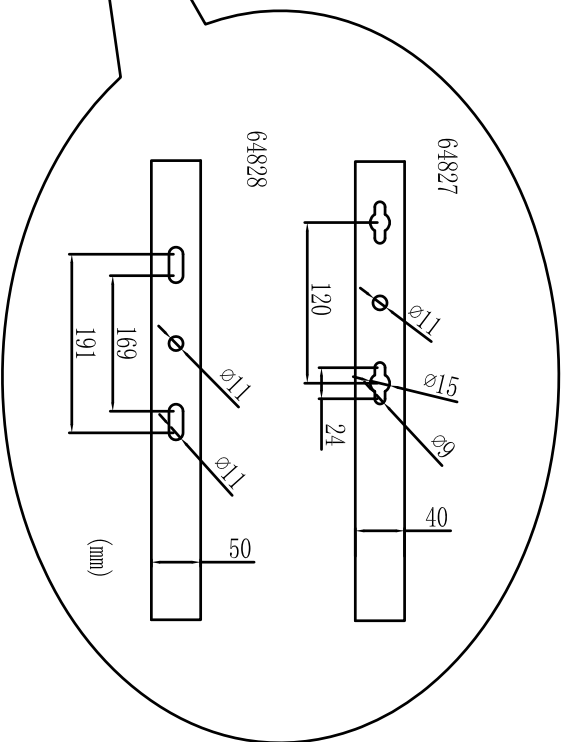
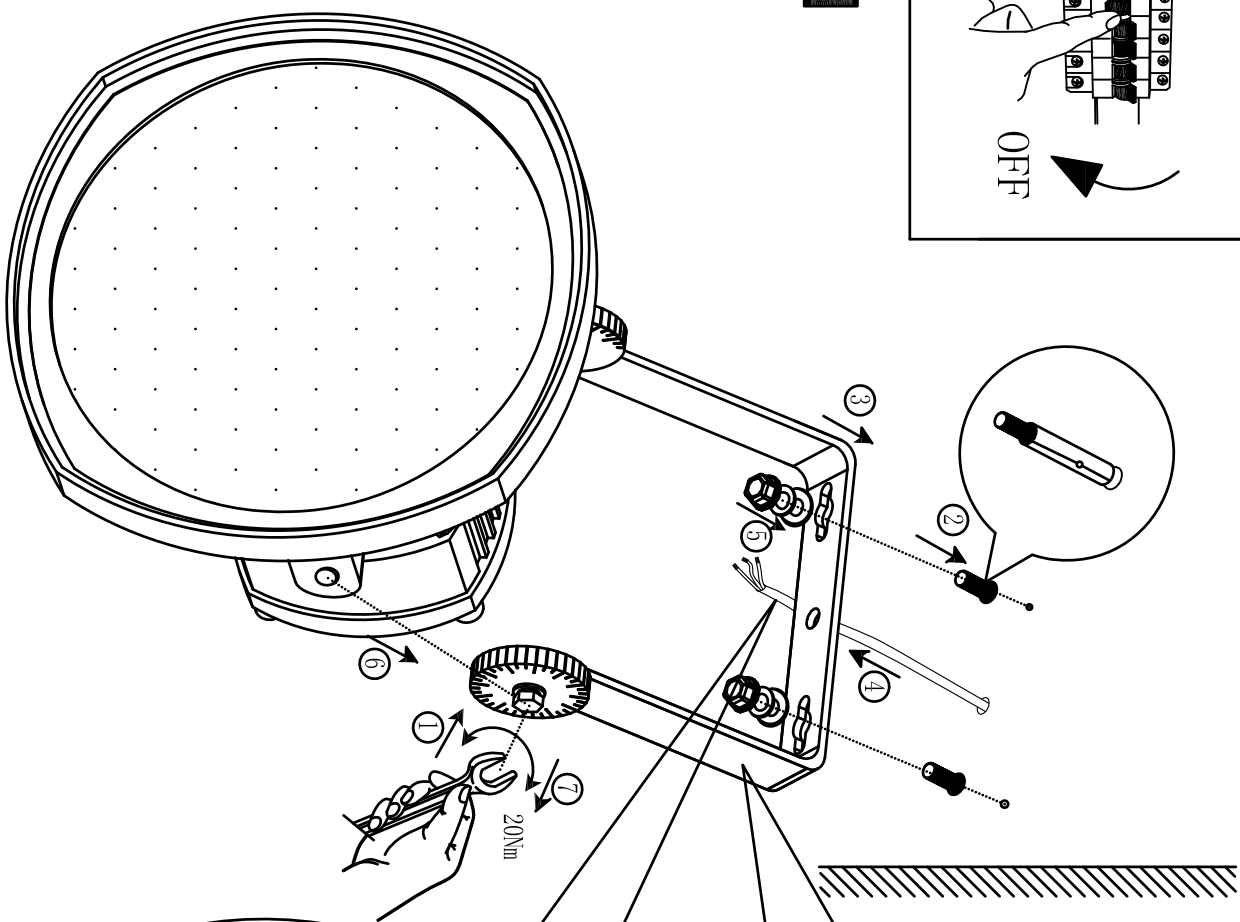
# EGL0

Art.-Nr. : 64827/64828  
IP65 IK06

Art.-Nr.	Dimension (mm) (D * H)	Weight (kgs)	Mounting height (m)	Wind Catching area (m <sup>2</sup> )
64827	300*320	4.5	≤5	0.1
64828	395*450	10	≤5	0.15



**B**



www.eglo.com