

Installation and operating instruction

Self Contained Emergency luminaires K2



Technical data

Viewing distance:	27m
Mains Voltage:	230V 50Hz
Connected Load:	6,5W
Autonomy time:	3h/8h adjustable
Permitted temp. range:	-5° C to +35° C
Illuminant:	LED
Insulation class:	II
Protection category:	IP 44
Mounting:	Wall, ceiling (for NLK2U003SC optionally ceiling recessed)



Self contained emergency luminaire according to EN 60598-1, EN 60598-2-22, ISO 7010 and EN 1838 for wall- or ceiling mounting with single or double sided labeling. Suitable for maintained and non-maintained operation. Pictogram set (left, right, up down and white) included.

Security advice:

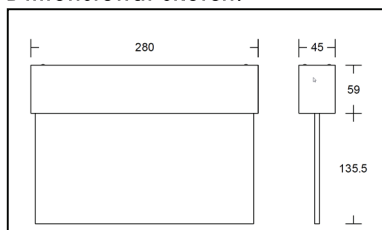
Attention: Works on the 230V mains may only be done from qualified personnel considering the local installation requirements. Before installation the supply voltage must be switched off.

Remark: In order to attain the full functionality of a self contained emergency luminaire the battery has to be charged for min. 24 hours.

Caution: Claims for warranty cannot be lodged in the event of damage caused by non-observance of this instruction. No liability for follow-on damages resulting from this can be accepted. The installation instruction must be read thoroughly before commissioning the product.

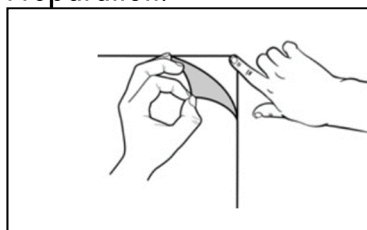


Dimensional sketch:



K2 (NLK2U003SC)

Preparation:



Remove protection foils on both sides

Important: Make sure the battery is replaced as stated in regulations otherwise the function of the lamp is not guaranteed. When replacing the battery don't throw old battery into domestic waste! Do not use abrasive cleaners or cleaners that contain solvent.



Function of the test button

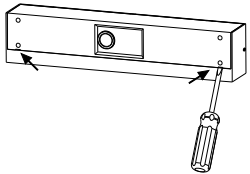
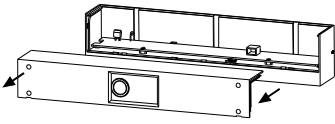
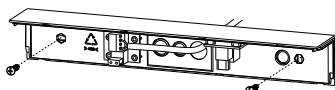
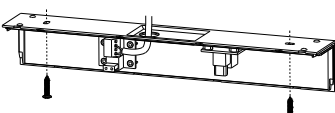
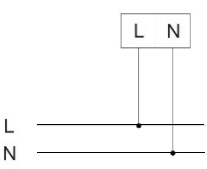
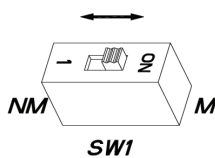
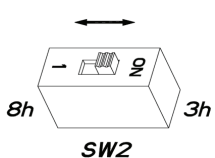
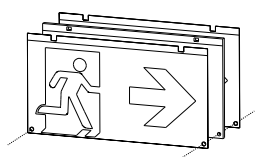
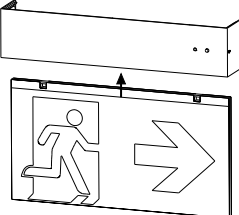
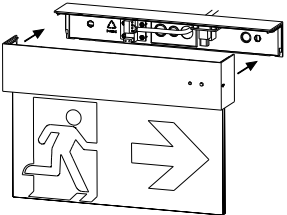
Test button	Green LED	State
Press 1 sec.	Off	Emergency operation 1 sec.
Press 3 sec.	Slow flashing	Functional test 30 sec.
Press 5 sec.	Fast flashing	Duration test 3h/8h According to setting of SW2
Press 5 sec. again	Off	Duration test stopped
Press 15 sec.		System Reset

Fault messages are reset after rectifying the fault and performing a new short test.

Meaning of LED indication

	Always on
	No fault
	Slow flashing
	Functional test running
	Fast flashing
	Duration test running
	Always on
	Duration test failed
	Slow flashing
	Illuminant damaged
	Fast flashing
	Battery damaged
	Mains fault and battery operation

Mounting and Commissioning

		
<p>Wall mounting</p> 	<p>Ceiling mounting</p> 	
 <p>Electrical connection</p>	 <p>M = Maintained mode NM = Non Maintained mode</p>	 <p>3h = 3h autonomy time 8h = 8h autonomy time</p>
		

Self testing system

- The first functional test takes place within 7 days after commissioning at a random time. Thereafter all 7 days a functional test will take place.
- The first duration test takes place randomly within 52 weeks after commissioning. Thereafter all 52 weeks a duration test will take place. The duration test lasts for 3 hours or 8 hours depending of the setting of SW2.
- In case of mains failure during a duration test, the luminaire will go into emergency battery mode.
- If the battery is not fully recharged after a mains failure, a pending full autonomy test will be shifted until the battery is completely recharged after mains return.