

Installation and operating instruction

Self Contained Emergency luminaires NLK5U003--

Technical data

Viewing distance:	20m
Illuminant:	LED
Mains Voltage:	220-240V 50/60Hz
Autonomy time:	3h
Battery	NiCd 3,6V 1500mAh
Connected Load:	3W
Protection category:	IP 65
Insulation class:	II
Permitted temp. range:	0° C to +35° C
Mounting:	Wall, ceiling (optionally ceiling recessed)



Self contained emergency luminaire according to EN 60598-1, EN 60598-2-22, ISO 7010 and EN 1838 for wall- or ceiling mounting. Suitable for maintained and non-maintained operation. Pictogram set (left, right, up and down) included.

Security advice:

Attention: Works on the 230V AC mains may only be done from qualified personnel considering the local installation requirements. Before installation the supply voltage must be switched off.

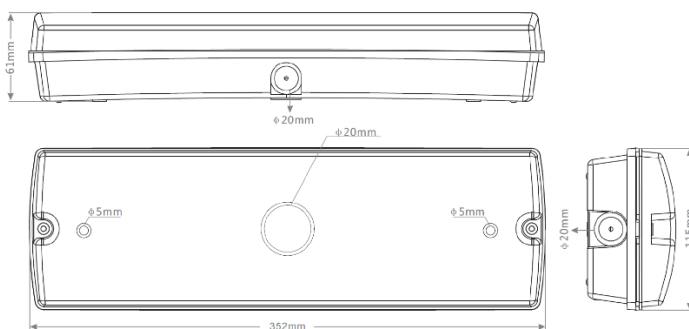


Remark: In order to attain the full functionality of a self contained emergency luminaire the battery has to be charged for min. 24 hours.



Caution: Claims for warranty cannot be lodged in the event of damage caused by non-observance of this instruction. No liability for follow-on damages resulting from this can be accepted. The installation instruction must be read thoroughly before commissioning the product.

Dimensional sketch:



Important: Make sure the battery is replaced as stated in regulations otherwise the function of the lamp is not guaranteed. When replacing the battery don't throw old battery into domestic waste! Do not use abrasive cleaners or cleaners that contain solvent.



Mounting instruction Design K5

