

Smoke Alarm Device User Manual

Model number: GS536

Ref: ST536

Thank you for purchasing our smoke alarm device. Please take a few minutes to read the user's manual thoroughly and familiarize yourself and your family with its operation. And save it for future reference.



EN14604:2005/AC:2008

Diagram 1

Product Specifications:

- **POWER:** DC9V(1604S 6F22) Carbon batteries
- **OPERATION CURRENT:** <10uA (standby), <30mA (alarm)
- **ALARM VOLUME:** >85dB(A) at 3 meters.
- **SMOKE ALARM DEVICE SOUND PATTERN:**
BI 0.5s - pause 0.5s – BI 0.5s – pause 0.5s – BI 0.5s – pause 1.5s, with the red LED flash, repeat this alarm pattern.
- **COMPLY WITH STAANDARD:** EN14604:2005/AC:2008

Description:

The unit is a photoelectric smoke alarm device. With the photoelectric technology, it is more sensitive to detecting slow smolder fires which general thick, black smoke, a little heat and may smolder for hours before bursting into flames. The smoke alarm device does not contain the radioactive material which is harmless to the environment.

The smoke alarm device should be installed in every room (except the bathroom and kitchen), and every other area of the home, making sure the people in the home will be able to hear and respond to the alarm sound. For minimum protection, you should fit an alarm respectively for the hallways, living room, bedrooms and child rooms, each unit shall be placed in the middle of the ceiling of each room to protect.

Typical single storey dwelling with recommended:

Install a smoke alarm device on the ceiling or wall inside each bedroom and in the hallway outside each separate sleeping area. If a bedroom area hallway is more than 30 feet

long, install a smoke alarm device at each end. If there is a basement: install a smoke alarm device on the basement ceiling at the bottom of the stairwell.

Typical multi-storey dwelling with recommended protection.

Install a smoke alarm device on the ceiling or wall inside each bedroom and in the hallway outside each separate sleeping area. If a bedroom area hallway is more than 30 feet long, install a smoke alarm device at each end install a smoke alarm device at the top of a first – to- second floor stairwell.

Important Safety Information:

- 1: The test button accurately tests smoke alarm device functions. Do not use any other test method. Test smoke alarm device weekly to ensure proper operation.
- 2: If you're sure it isn't a really alarm, open windows or fan the air around smoke alarm device for silence it
- 3: This smoke alarm device is designed to be used inside a single family only. In multifamily buildings, each individual living unit should have its own smoke alarm devices. Do not install in non-residential buildings. And this smoke alarm device is not a substitute for a complete alarm system.
- 4: Install a smoke alarm device in every room and on every level of the home. Smoke may not reach the smoke alarm device for many reasons. For example, if a fire starts in a remote part of the home, on another level, in a chimney, wall, roof, or on the other side of a closed door, smoke may not reach the smoke alarm device in time to alert household members. A smoke alarm device will not promptly detect a fire except in the area or room in which it is installed.
- 5: Smoke alarm device may not alert every household member every time. The alarm horn is loud in order to alert individuals to a potential danger. However, there may be some circumstances where a household member may not hear the alarm (i.e. outdoor or indoor noise, sound sleepers, drug or alcohol usage, the hard of hearing, etc.). If you suspect that this smoke alarm device may not alert a household member, install and maintain specialty smoke alarm devices. Household member must hear the alarm's warning sound and quickly respond to it to reduce the risk of damage, injury, or death that may result from fire, If a household member is hard of hearing, install special smoke alarm devices with lights or vibrating devices to alert occupants.
- 6: Smoke alarm devices can only sound their alarms when they detect smoke or detect combustion particles in the air. They do not sense heat, flame, or gas. This smoke alarm device is designed to give audible warning of a developing

fire. However, many fires are fast - burning, explosive, or intentional, and others are caused by carelessness or safety hazards. In this circs, Smoke may not remake the unit alarm **QUICKLY ENOUGH** to ensure safe escape.

7: Smoke alarm devices have limitations. This smoke alarm device is not foolproof and is not warranted to protect lives or property from fire. Smoke alarm devices are not a substitute for insurance. Homeowners and renters should insure their lives and property. In addition, it is possible for the smoke alarm device to fail at any time. For this reason, you must test the smoke alarm device weekly and replace unit every one year.

Battery Connections:

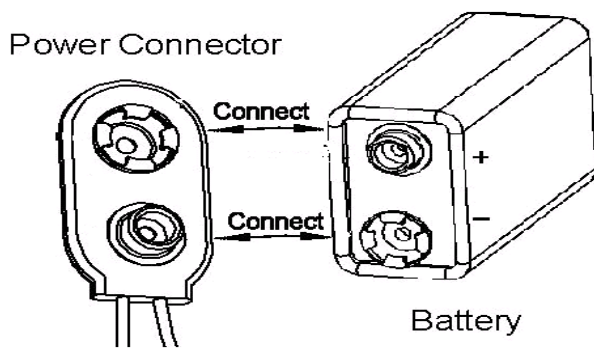


Diagram 2

Battery Specification:

Carbon Zinc Battery:

Gold Peak:GP1604S 9V by GP International (Shen zhen).LTD

Raymax:6F22 9V by Zhejiang Mustang Battery Co., Ltd

Replace Battery:

- 1: Turn the alarm body counterclockwise and take out the alarm body from the bracket.
- 2: Take out the old battery, connect the new battery to power connector.
- 3: Fix the battery into battery box, fit alarm body on bracket and turn the alarm body clockwise. (see Diagram 3).
- 4: Test smoke alarm using test button. The sound pattern is 3 short beeps-pause 1.5 seconds, repeat it. If there's no sound output, it means that the smoke alarm is faulty or the installing operation is wrong, and you can get helps from the section: "trouble shooting".

WARNING:Test the alarm for correct operation using the test facility whenever the battery is replaced

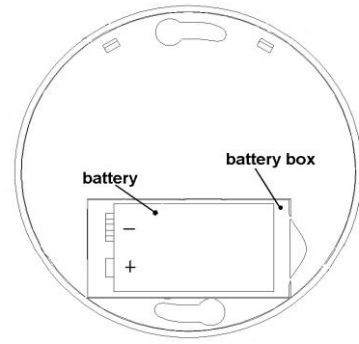


Diagram 3

Do Not Install Smoke alarm devices in the Following Places:

- 1: Near appliances or areas where normal combustion Regularly occurs (kitchens, near furnaces, hot water heaters). Use specialized smoke alarm device with unwanted alarm control for this areas.
- 2: In areas with high humidity, like bathrooms or areas near dishwashers or washing machines. Install at least 10feet away from these areas.
- 3: Near air returns or heating and cooling supply vents. Install at least 3 feet away from these areas. The air could blow smoke away from the detector, interrupting its alarm.
- 4: In rooms where temperatures may fall below 0°C or rise above 40°C, or in humidity higher than 93%. These conditions will reduce battery life or cause a fault alarm.
- 5: In extremely dusty, dirty, or insect – infested areas influence particles interfere with smoke alarm device operation.

Operation:

Testing

Power on the alarm is mounted on bracket .Test the unit to ensure proper operation by pressing the test button, this will sound the alarm if the electronic circuitry, Bracket is mounted , horn, and battery are working .If no alarm sounds, there is a defective battery or other failure, you can refer to "Trouble shooting" section for solution.

DO NOT use an open flame to test your alarm, you could damage the alarm or ignite combustible materials and start a fire.

CAUTION: Due to the loudness (85 decibels) of the alarm, Always stand an arms-length away from the unit when testing.

Test the alarm weekly to ensure proper operation. Erratic or

low sound coming from your alarm may indicate a defective alarm, you can refer to “Trouble shooting” section for solution.

NOTE: WEEKLY TESTING IS REQUIRED.

LED indicators

This alarm is equipped with a red LED indicator, with two modes of operation

Red LED-Flashing every 32 seconds: indicates that the smoke alarm is operating properly.

RED LED-Flashing: when the Test button is pressed, or when the smoke alarm sense particles of combustion and goes into alarm(constant pulsating sound),the red LED will flash once per second. The flashing LED and pulsating alarm will continue until the air is cleared

Fault indication - The unit will generate a "chirp" between two flashes every 32 seconds when the unit goes into fault mode.

NOTE: WEEKLY TESTING IS REQUIRED.

DANGER: If the alarm sounds, and it is not being tested, it means the unit is sensing smoke, **THE SOUND OF THE ALARM REQUIRES YOUR IMMEDIATE ATTENTION AND ACTION.**

Maintenance and Cleaning:

In addition to weekly testing, the alarm requires periodic cleaning to remove dust, dirt, and debris.

Clean the alarm at least once a month to remove dust, dirt, or debris.

Use a vacuum cleaner with the soft brush, vacuum all sides and covers of smoke alarm device.

This alarm has a low battery monitor which will cause the alarm to “chirp” approx every 32 seconds and the red LED flash once at the same time for a minimum of thirty days when the battery gets low.

If there is a defective battery or other failures, you can refer to “Trouble shooting” for solution, if there are still failures during warranty, you can return to your retailer..

IMPORTANT: Do not attempt to remove the cover to clean inside. This will affect warranty.

Repair:

Caution: Do not attempt to repair the alarm. It will affect your warranty.

If the alarm is not operating properly, and is still under warranty, return it to the original place you buy. Pack it in a

well-padded carton, and ship to the original place you buy. If the alarm is no longer under warranty, have a licensed electrician replace it immediately with a comparable alarm.

Trouble shooting:

Problem	Method of disposal
Smoke alarm device does not sound when tested.	<ol style="list-style-type: none"> 1. Fit the alarm on the bracket and turn the alarm body clockwise, until matching well on the bracket. 2. Clean smoke alarm device. Please refer to the “maintenance and cleaning” section. 3. If there are still failures during warranty, you can return to your retailer. 4. If the unit is out of warranty, please replace another new alarm.
The alarm “chirp” with red LED flashes once every 32 seconds.	The battery is under low battery status, please replace the smoke alarm device.
Smoke alarm device chirp occurs every 32 seconds (alarm goes into fault mode) .	Clean smoke alarm device. Please refer to the “maintenance and cleaning” section. Purchase and change another smoke alarm device if the problem still exist
Smoke alarm device sounds unwanted alarms intermittently or when residents are cooking, taking showers, etc.	<ol style="list-style-type: none"> 1. Press test button to pause alarm. 2. Clean smoke alarm device. Please refer to the “maintenance and cleaning” section. 3. Move smoke alarm device to new location and press test button.
The alarm sounds different from it is used to. It starts and stops.	<ol style="list-style-type: none"> 1. Clean smoke alarm device. Please refer to the “maintenance and cleaning” section. 2. If there are still failures during warranty, you can return to your retailer. 3. If the unit is out of warranty, please replace another new alarm.

Practice Fire Safety:

If the alarm sounds, and you have not pushed the test button, it is warning of a dangerous situation, your immediate response is necessary. To prepare for such occurrences, develop family escape plans, discuss them with all household members, and practice them regularly.

- 1: Expose everyone to the sound of a smoke alarm device and explain what the sound means.
- 2: Determine two exits from each room and an escape route to the outside from each exit.
- 3: Teach all household members to touch the door and use an alternate exit when the door is hot, instruct them not to open the door if the door is hot.
- 4: Teach household members to crawl along the floor to stay below dangerous smoke, fumes and gases.
- 5: Determine a safe meeting place for all members outside the building.

What to Do in Case of Fire:

- 1: Do not be panic; stay calm.
- 2: Leave the building as quickly as possible. Touch doors to feel if they were hot before opening them. Use an alternate exit if necessary. Crawl along the floor, and do stop to collect anything.
- 3: Meet at a pre-arranged meeting place outside the building.
- 4: Call the fire department form outside the building.
- 5: Do not go back inside a burning building. Wait for the fire department to arrive.

Note: These guidelines will assist you in the event of a fire, however, to reduce the chance that fires will start, practice fire safety rules and prevent hazardous situations.

Where is the best to be Installed:

- At first you need install one unit in the bedroom and route way, if you have several bedrooms, you'd better install each alarm in every room. (see Diagram 4).
- Install it in the stairway and in every floor. (see Diagram 5)
- Smoke, heat and burning things will spread horizontally after rising to the ceiling, so install the alarm on middle of the ceiling of ordinary structure house let the alarm induce every corner.
- Install an alarm in every bedroom.
- Install an alarm in every room where large electrical appliances are operated (for example portable heaters).
- If alarm couldn't be installed in the middle of the ceiling for some reasons, the distance which the alarm away form the wall corner should be beyond 30cm (see Diagram 6).

- Put smoke alarm at both ends of a bedroom hallway or large room if the hallway or room is more than 9.1 m (30 ft) long.
- Install smoke alarms no slopped, peaked or cathedral ceilings between 500 and 1500mm from the highest point of the ceiling. Smoke alarms in rooms with ceiling slopes greater than 1m in 8 m horizontally shall be located on the high side of the room (See Diagram 7)

Warranty Information:

Company warrants to the original consumer.

Purchase each new smoke alarm device to be free from defects in material and workmanship under normal use and service for a period of 3 years from the date of purchase. This warranty does not cover damage resulting from accident, misuse or abuse or lack of reasonable care of the product.

In no case shall company be liable for any incidental or consequential damages for breach of this or any other warranty express or implied, whatsoever. The bad product can be mailed to the following address with a detail explanation of problem.

Installation:

- Take off the bracket from the alarm body.
- Press the bracket on the installation position, mark installation hole of the bracket with pencil.
- Bore two installation holes on the sign with electric drill. Make diameter of holes is 5mm, Strike the two plastic plugs into holes with hammer.
- Attach the bracket to the plastic plugs and fix tightly the screws into the plastic plugs. (Refer to Diagram 8).
- Fit the alarm on the bracket and turn the alarm body clockwise, until matching well on the bracket.
- Press the button for test the unit. The alarm sounds 3 beeps – 1.5 seconds pause, repeat it until release the button, if no sound, it indicates a defective alarm, you can refer to "Trouble shooting" for solution or return to your retailer during warranty.
- If you have any questions on installation, you can contact your retailer.

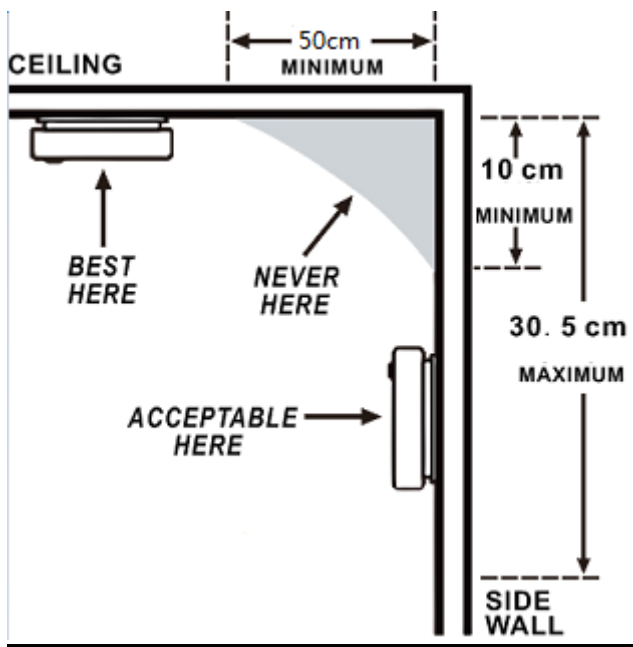
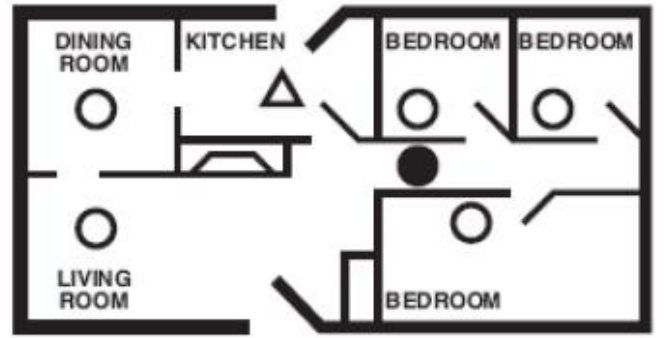


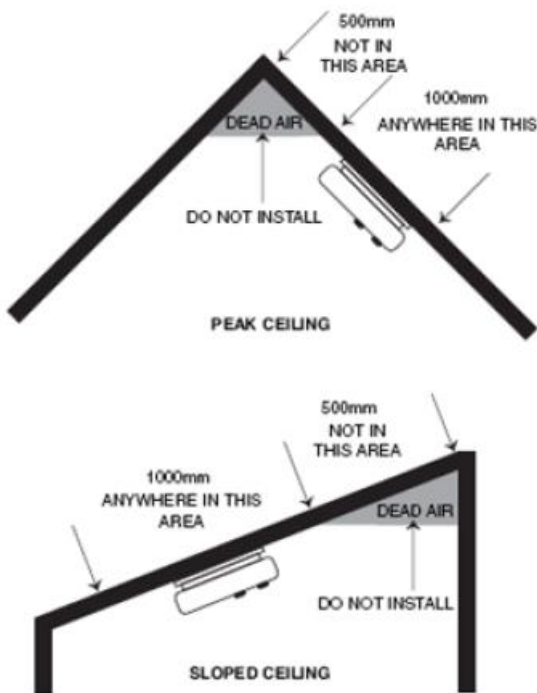
Diagram 6



- Smoke Alarms for Minimum Protection
- Smoke Alarms for Additional Protection
- △ Ionisation Type Smoke Alarm with Alarm Silencer or Photoelectric Type

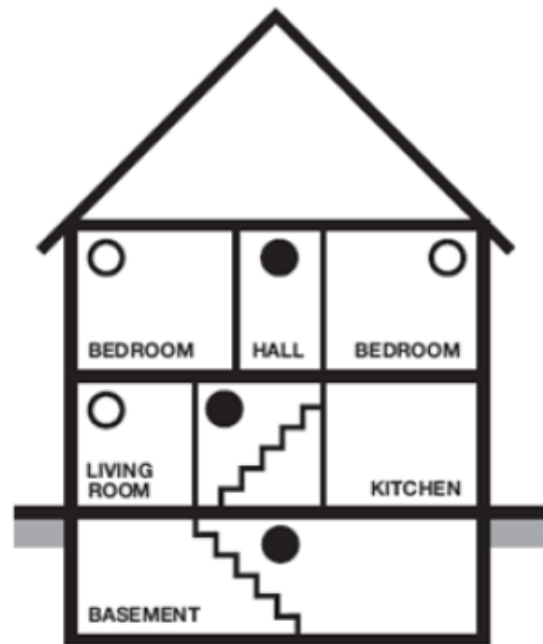
SINGLE FLOOR PLAN

Diagram 4



Smoke alarm should be located between 500 and 1500mm from the highest point.

Diagram 7



MULTIPLE FLOOR PLAN

Diagram 5

Installation sketch map:

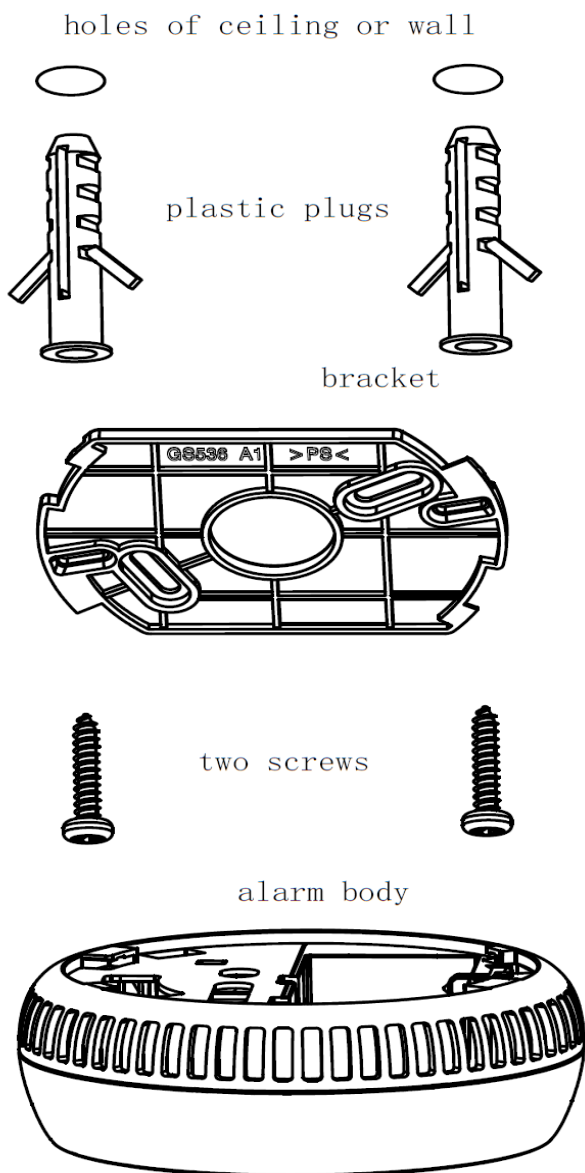


Diagram 8

WARNING:

To prevent injury, this unit must be securely attached to the ceiling in accordance with the installation instructions.

Manufacturer:

NINGBO SITERWELL ELECTRONICS CO., LTD

ADDRESS: No.76 Haichuan Road, Chuangye Zone B ,

Jiangbei , Ningbo ,China

TEL: 0086-574-83076656

FAX: 0086-574-83076652

E-MAIL: Sales@china-ster.com