

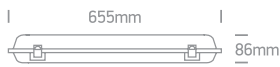
INSTALLATION MANUAL

38118E, 38136E, 38158E

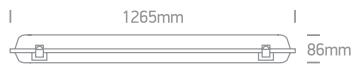


100-240V | T8 | IP65 | PC + PC

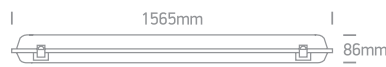
38118E



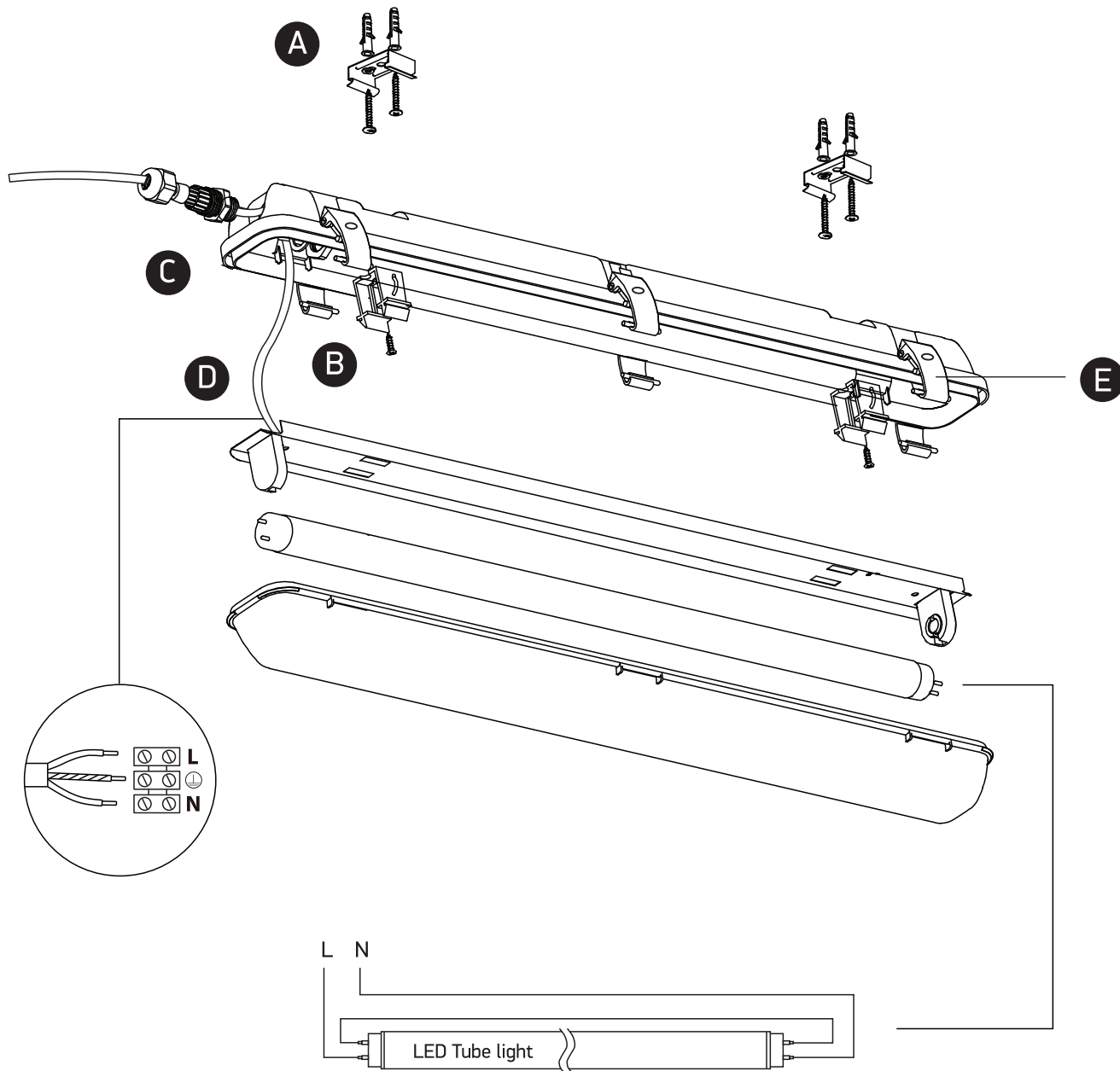
38136E



38158E



one
LIGHT



Wiring diagram.

Warnings:

1. Make sure that the product is installed properly before connecting to electricity.
2. Do not cover the fitting.
3. Maintenance and installation should only be carried out by a professional electrician.