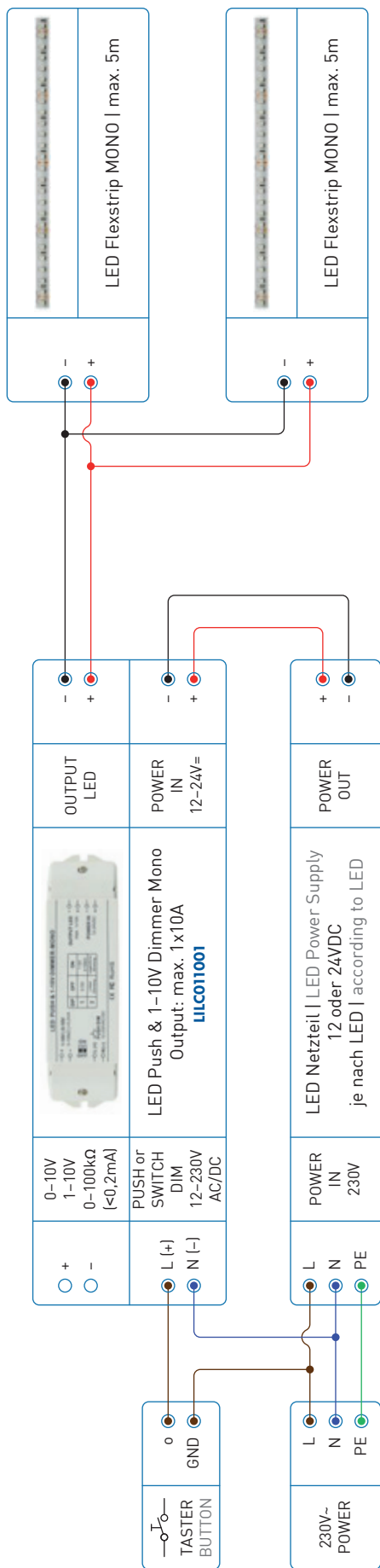


Variante Push/Switch DIM



Variante 0-10V | 1-10V | 0-100kΩ DIM

