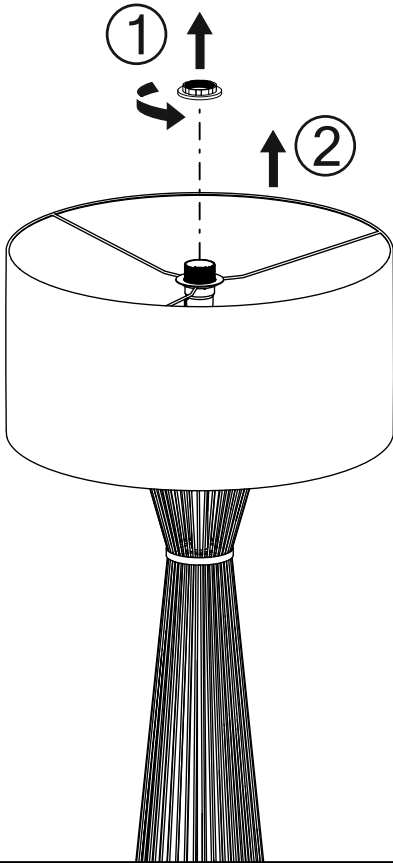
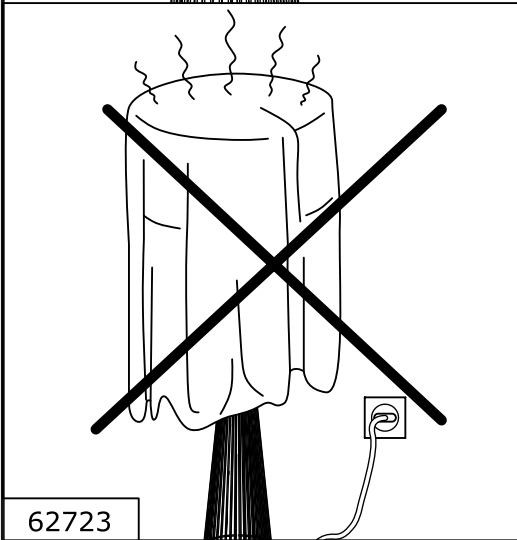
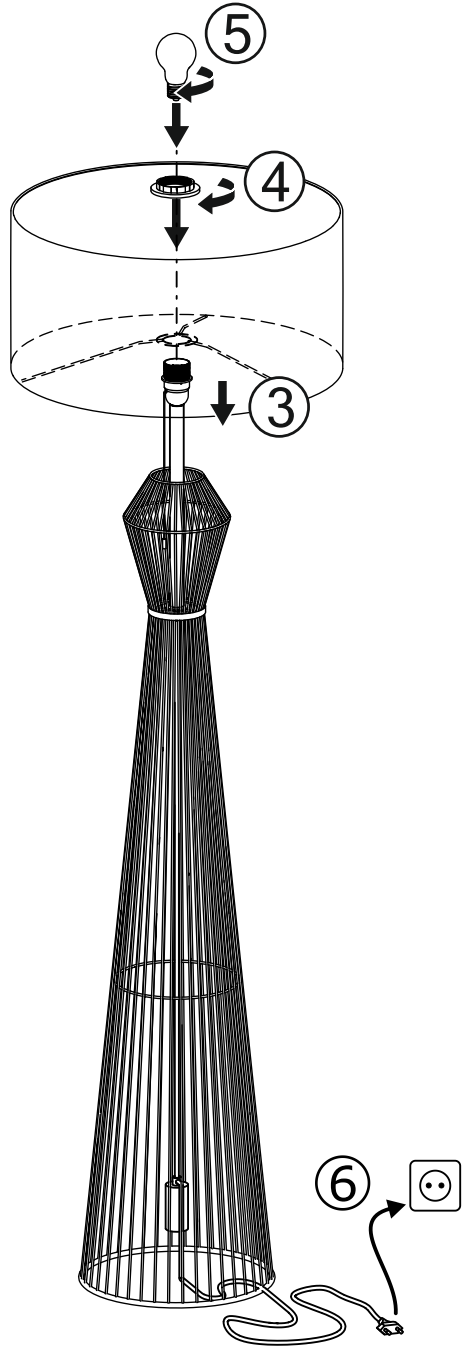


**A****B**

62723

www.eglo.com