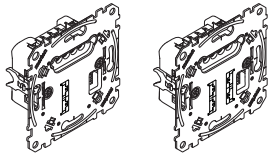


For your safety

To be able to use the PlusLink, you require a separate core in your installation.

Electronic switch insert

Operating instructions



Electronic switch insert
Art. no. MEG5151-0000

Electronic switch insert, 2-gang
Art. no. MEG5152-0000

Necessary accessories

- To be completed with:
- Corresponding inserts (see function overview)

Accessories

- PlusLink Expander (Art. no. MEG5130-0000)
- PlusLink distributor (3 cycles) (Art. no. MEG5130-0001)



DANGER

Risk of serious damage to property and personal injury, e.g. from fire or electric shock, due to incorrect electrical installation.

Safe electrical installation can only be ensured if the person in question can prove basic knowledge in the following areas:

- Connecting to installation networks
- Connecting several electrical devices
- Laying electric cables

These skills and experience are normally only possessed by skilled professionals who are trained in the field of electrical installation technology. If these minimum requirements are not met or are disregarded in any way, you will be solely liable for any damage to property or personal injury.



DANGER

Risk of death from electric shock.

The outputs may carry an electrical current even when the device is switched off. Always disconnect the fuse in the incoming circuit from the supply before working on connected loads.



DANGER

Risk of death from electric shock.

The PlusLink carries an electrical current even when the device is switched off. Before working on the device, always disconnect it from the supply by means of the fuse in the incoming circuit. If one or more PlusLink lines are separately fused in your installation then they are not electrically isolated from one another. In this case, you should use the PlusLink Expander.



CAUTION

The device can become damaged.

The voltage difference between different phases can damage the device. Connect all connected devices of one or several PlusLink lines to the same phase or use a PlusLink terminal for cross-phase installation.

Getting to know the electronic switch insert

You can use the electronic switch insert (referred to below as the **insert**) to switch ohmic or inductive loads per channel:



Incandescent lamps (ohmic load)



230 V halogen lamps (ohmic load)



Low-voltage halogen lamps with dimmable wound transformer (inductive load)

The insert is overload-proof and short-circuit-proof.

The insert also comes with one (1-gang insert) or two (2-gang insert) **PlusLink** inserts, with which you can control the channels from another location. The insert, completed with a module (see the function overview), is the receiving device and is controlled via **PlusLink (PL)** by the transmitting device.

Transmitting devices are, for instance:

- Central unit inserts (completed with relevant modules)
- Plus side controller, 1-gang/2-gang
- Mechanical push-buttons
- External sensors



The total length of cable sections in a PL line is not allowed to exceed 100 m (when a 3-core cable is used).



CAUTION

The insert can become damaged.

- Always operate the insert in compliance with the specified technical data.
- Operate the insert only on a sinusoidal mains voltage.
- Switching socket-outlets is prohibited. The risk of overloading and the risk of unsuitable loads being connected is too high.
- If a terminal is used for looping, the insert must be protected with a 6 A circuit breaker.

Function overview of the 1-gang insert completed with corresponding modules

Module:	Function:
Push-button module Basic, 1-gang	• switching on/off
Push-button module Basic, 2-gang	• switching on/off • Calling up and saving lightscenes
Push-button module Comfort, 1-gang	• switching on/off • Staircase lighting function
Push-button module Comfort, 2-gang	• switching on/off • Calling up and saving lightscenes • Staircase lighting function
Push-button module Comfort Plus with IR, 1-gang	• switching on/off • Staircase lighting function • 24-hour time switch • Week time switch • Random function • IR function
Push-button module Comfort Plus, 2-gang	• Switching on/off • Calling up and saving lightscenes • Staircase lighting function • 24-hour time switch • Week time switch • Random function
Wiser push-button module, 1-gang	• Switching on/off Additional app functions: • Timer (e.g. staircase lighting) • Time switch
Wiser push-button module, 2-gang	• Switching on/off • Calling up and saving lightscenes Additional app functions: • Timer (e.g. staircase lighting) • Time switch
Rotary module	• Switching on/off • Calling up and saving lightscenes
ARGUS 180 flush-mounted sensor module	• Brightness dependent staircase lighting function

ARGUS 180 flush-mounted sensor module with switch	<ul style="list-style-type: none"> Brightness dependent staircase lighting function Permanently switching staircase lighting on/off
ARGUS Presence 180/ 2.20 m flush-mounted sensor module	<ul style="list-style-type: none"> Brightness dependent staircase lighting function
ARGUS Presence sensor module with IR	<ul style="list-style-type: none"> Brightness dependent staircase lighting function IR function
Standard display timer module	<ul style="list-style-type: none"> Switching on/off manually Time-controlled switching on/off
Display timer module	<ul style="list-style-type: none"> Switching on/off manually Time-controlled switching on/off Evaluating DCF timer

Function overview of the 2-gang insert complete with corresponding modules

Module:	Function:
Push-button module Basic, 1-gang	<ul style="list-style-type: none"> Switching both channels on/off together
Push-button module Basic, 2-gang	<ul style="list-style-type: none"> Switching both channels on/off separately
Push-button module Comfort, 1-gang	<ul style="list-style-type: none"> Switching both channels on/off together Staircase lighting function
Push-button module Comfort, 2-gang	<ul style="list-style-type: none"> Switching both channels on/off separately Staircase lighting function (both channels together)
Push-button module Comfort Plus with IR, 1-gang	<ul style="list-style-type: none"> Switching both channels on/off together Staircase lighting function 24-hour time switch Week time switch Random function IR function
Push-button module Comfort Plus, 2-gang	<ul style="list-style-type: none"> Switching both channels on/off separately <p>Both channels together:</p> <ul style="list-style-type: none"> Staircase lighting function 24-hour time switch Week time switch Random function
Wiser push-button module, 1-gang	<ul style="list-style-type: none"> Switching both channels on/off together <p>Additional app functions:</p> <ul style="list-style-type: none"> Timer (e.g. staircase lighting) Time switch
Wiser push-button module, 2-gang	<ul style="list-style-type: none"> Switching both channels on/off separately <p>Additional app functions (both channels together):</p> <ul style="list-style-type: none"> Timer (e.g. staircase lighting) Time switch
Rotary module	<ul style="list-style-type: none"> Switching on/off
ARGUS 180 flush-mounted sensor module	<ul style="list-style-type: none"> Brightness dependent staircase lighting function Brightness independent staircase lighting function

ARGUS 180 flush-mounted sensor module with switch	<ul style="list-style-type: none"> Brightness dependent staircase lighting function Brightness independent staircase lighting function Permanently switching staircase lighting on/off
ARGUS Presence 180/ 2.20 m flush-mounted sensor module	<ul style="list-style-type: none"> Brightness dependent staircase lighting function Brightness independent staircase lighting function
ARGUS Presence sensor module with IR	<ul style="list-style-type: none"> Brightness dependent staircase lighting function Brightness independent staircase lighting function IR function
Standard display timer module	<ul style="list-style-type: none"> Manually switching on/off both channels at the same time Time-controlled switching on/off of both channels separately or together
Display timer module	<ul style="list-style-type: none"> Manually switching on/off both channels at the same time Time-controlled switching on/off of both channels separately or together Evaluating DCF timer

i You can set the additional app functions via the Wiser Room App. Detailed information on the operation of the app can be found in the in-app help.

Installing the insert

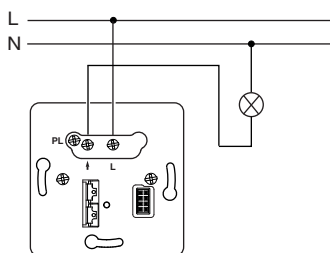
i If you do not install the device in a single, standard flush mounting box, the maximum permissible load is reduced due to the restricted heat dissipation:

Load reduced by	when installed
25 %	in hollow walls * Several installed together in combination *
30 %	in 1-gang or 2-gang surface-mounted housing
50 %	in 3-gang surface-mounted housing

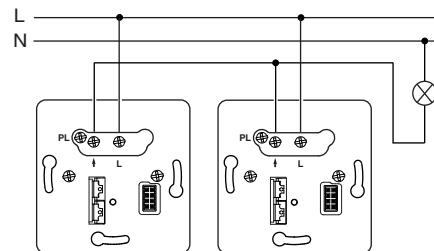
* If several factors apply, add the load reductions together.

Wiring the insert (1-gang) for the application required

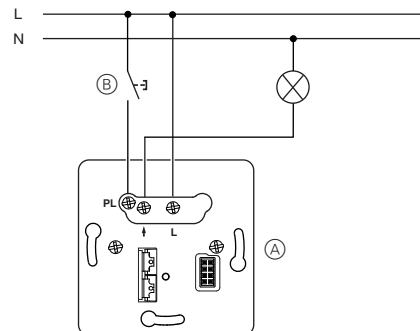
Insert as stand-alone device



Two inserts connected in parallel

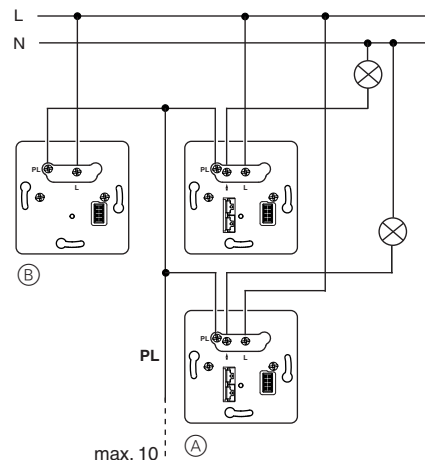


Insert with mechanical push-button via PlusLink



- (A) Electronic switch insert
- (B) Mechanical push-button (toggle mode)

Insert in combination with transmitting device via PlusLink (here shown with Plus side controller)

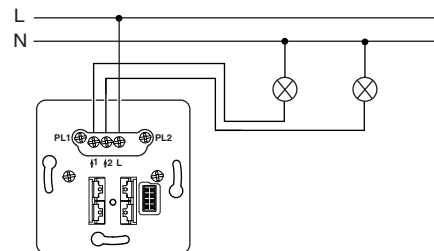


- (A) Electronic switch insert
- (B) Side controller Plus 1-gang / 2-gang (transmitting device)

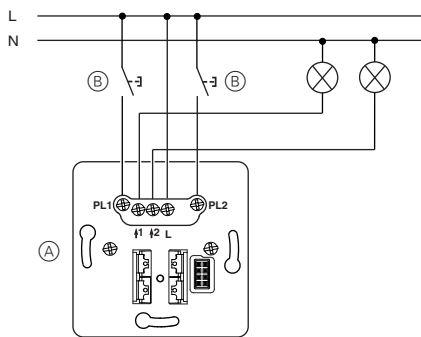
Wiring the insert (2-gang) for the application required

i If you connect loads on only one channel on a 2-gang insert, then it must be channel 1.

Insert as stand-alone device

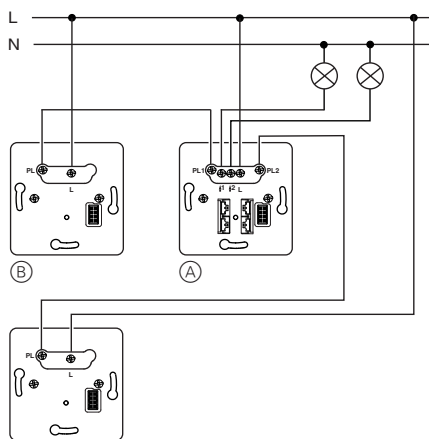


Insert with mechanical push-buttons via PlusLink



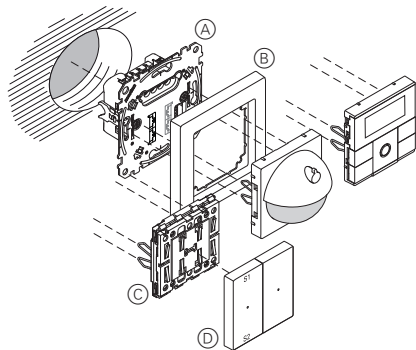
- (A) Electronic switch insert, 2-gang
- (B) Mechanical push-buttons (toggle mode)

Insert in combination with transmitting devices via PlusLink (here shown with Plus side controller)



- (A) Electronic switch insert, 2-gang
- (B) Side controller Plus 1-gang / 2-gang (transmitting device)

Installing the device

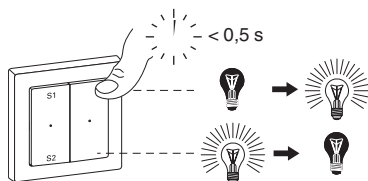


- (A) Electronic switch insert, 1-gang/2-gang
- (B) Frame
- (C) Module (see function overview)
- (D) Rockers for module

Operating the insert

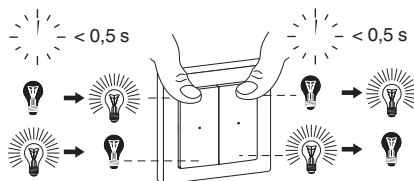
i The insert is shown here in operation in combination with a push-button module. More details on how to operate the various modules can be found in the relevant operating instructions.

Switching loads on/off (1-gang insert)



Switching loads on/off (2-gang insert)

- Right push-button: Channel 1
- Left push-button: Channel 2



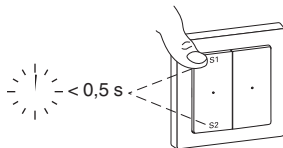
Calling up lightscenes (1-gang insert)

(only for push-button module, 2-gang)

Standard scenes

All devices are delivered from the factory with presettings for a lightscene.

- S1: Light on
- S2: Light off



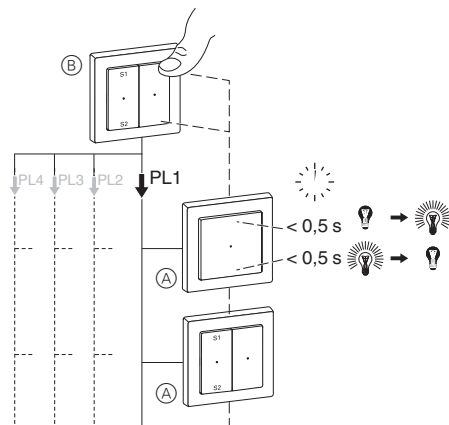
Controlling loads from another location with transmitting devices via PlusLink. For example:

- Central unit insert with module
- Plus side controller, 1-gang/2-gang
- Mechanical push-button
- External sensor

Example operation 1:

When the push-button module on the central unit insert is pressed, all loads in the PL line are controlled together.

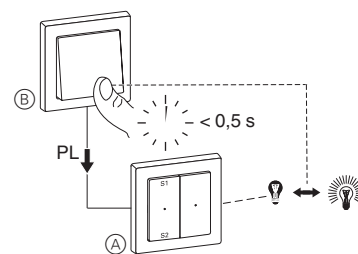
- Short push-button action (< 0.5 s): turn on/off



- (A) Electronic switch insert in PL line 1
- (B) Central unit insert with module

Example operation 2:

i When a mechanical push-button is used, we recommend connecting only one insert. With two or more inserts, simultaneous switching of the loads is no longer guaranteed.



- (A) Electronic switch insert
- (B) Mechanical push-button

What should I do if there is a problem?

The device regularly switches off during operation

- Allow the device to cool down and reduce the connected load.

The load cannot be switched back on.

- Allow the device to cool down and reduce the connected load.
- Rectify any possible short circuits.
- Renew defective loads.

Technical data

Nominal voltage: AC 220/230 V ~, 50/60 Hz

MEG5151-0000

Switching capacity: 50-420 VA
Outputs: 1

MEG5152-0000

Switching capacity per channel: 50-220 VA
Outputs: 2

Neutral conductor: Not required
Connecting terminals: Screw terminals for max. 2x 2.5 mm² or 2x 1.5 mm²

Protection: 16 A circuit breaker
Properties:

- Short-circuit-proof
- Overload-proof



Dispose of the device separately from household waste at an official collection point. Professional recycling protects people and the environment against potential negative effects.

Schneider Electric GmbH c/o Merten

Gothaer Straße 29, 40880 Ratingen

www.merten.com

www.merten-austria.at

Customer care centre:

Phone: +49 2102 - 404 6000