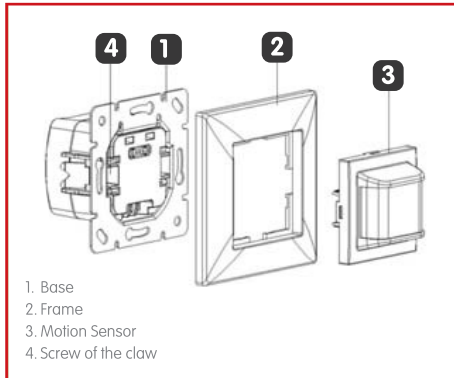


USER MANUAL FOR MOTION DETECTOR (2W) EV103014



MOUNTING

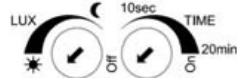
- The cable connections are made in accordance with the connection diagram. A rigid conductor of 1 to 2.5 mm² must be attached. Multiwire conductor may be attached. The movement sensor base (1) is placed on the case and the claw screws (4) are tightened with an appropriate screwdriver.
- Following this phase, a test is made to check whether the cable connections have been made appropriately. The distance adjustment button is turned to maximum level by turning clockwise (+). And the time adjustment button is turned to minimum level by turning anticlockwise (-). Feed the power; the lamp will switch on within 40 seconds, and then off. This means that the movement sensor is functioning seamlessly. You can make the desired settings through the adjustment buttons (LUX-*, TIME-10sec).
- Place the frame (2) to the base and then place the motion sensor (3) to the frame (2).

TECHNICAL SPECIFICATIONS

Sensing angle	180° horizontal
Sensing distance	5/8m max.
Time setting	10sec ~20minute
Nominal Voltage	220 ~240V/AC 50Hz
Operating Temperature	0 ~+35°C
Height on the Wall	1m ~2m
Load Capacity	50W ~300W
Power Consumption	< 1W do not work < 10W work
Setting day light	Approximately 5 ~200 Lux
Overload protection	Yes (Electronic)
The length of the line	Max. 100m

Motion Sensor detects the thermal radiation. If a person or a heat source enters the detection area, the sensor opens the lamp. Adjust the light level by adjusting the working time during the day. You can determine at run time by setting the detection period.

Knobs are as follows



Here, you can adjust the light intensity with the left button (LUX). * symbol indicates that the sensor can operate in more light (day time). ☾ symbol indicates that the sensor can operate in less light (at night). You can set the time by the TIME knob. At the OFF position, the sensor will be completely closed. In the ON position, the sensor will be open position constantly. In addition, the sensor can operate between 10 seconds and 20 minutes. Don't keep the sensor in the OFF position. If you bring the time knob as ☾, the sensor operates automatic model (10 Sec.).

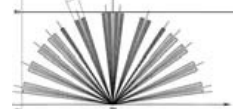
IMPORTANT INSTRUCTIONS

OPERATING PRINCIPLE AND FEATURES

Lamp switches on when any object enters the sensing area of the sensor; and it switches off until the set time. Sensor work Peak performance when parallel walking.



-The sensor detection area of the horizontal assembly. (Side view)



-The sensor detection area of the horizontal assembly. (Top view)

- Product should be used within 43 mm deep junction box.

OVERLOAD PROTECTION ACTIVATED

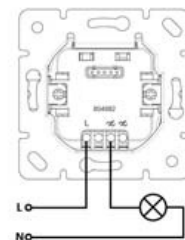
The lighting system is switched off. Check unit load and reduce it if necessary. Disconnect power supply while removing faults. After this, the unit is again ready for operation and switches the connected consumer on, independent of the measured brightness.

POSSIBLE ERRORS

The sensor does not work	<ul style="list-style-type: none"> - LUX adjustment knob ☾ mark but the room may be bright - Covered with something on the lens or lens may be dirty. Clean the lens - Power lines may have been caused a rift. Check the spelling - TIME adjustment knob Off position can be on. 10Sec position try again. - Continuous short circuit protection may have been activated. Check for short circuit
The sensor is working, but lamps do not work	-Lamp may be defective -Check the connection of the lamp.
Always on the lamp	<ul style="list-style-type: none"> -There is a continuous thermal motion in the sensing area. Do not move and wait until the lamp. -TIME adjustment knob can be ON position. Take 10Sec position and try again. - TIME adjustment knob can be 20 min position . Take 10Sec position and try again.

Unscheduled opening of the lamp	<ul style="list-style-type: none"> - An Animal (cat, dog, etc.) may be passed on Sensing area. - Temperature changes may have occurred suddenly.
Detection sensor is not only closely	- You can approach horizontally to sensor. Please follow the installation instructions for the high detection.

CONNECTION DIAGRAM



CAUTION

- The unit will heat up during operation. The specified rated power is designed for installation in a solid masonry wall. When installing the unit in a wall made of gas concrete, wood or plasterboard, the maximum connected load must be reduced by 30% min. Otherwise the unit may be destroyed!
- Please clean the button, cover and the frame of the products with dry or lightly damp cloth. Do never use chemicals like alcohol, cologne, detergent, etc.
- While having your house painted, please demount and store the cover and frames of your switches.
- Motion Sensor is designed and manufactured for indoor use. Not suitable for outdoor environments.
- Alarm systems are not suitable for.
- Heaters, air conditioners and air turbulences caused by sudden temperature increases do not install near any of these devices is affected.