






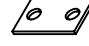


ATDMK002

PART LIST

REF.	Pic.	REF.	Pic.
A		F	
B		G	
C		H	
D		I	
E	