

# INSTALLATION MANUAL

62156D

ecolight

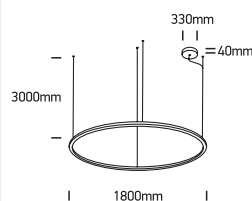


80 CRI



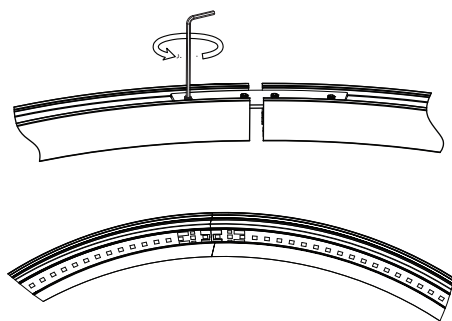
230V | SMD 2835 | 100W | IP20 | Aluminium

Complete with 1200mA drivers



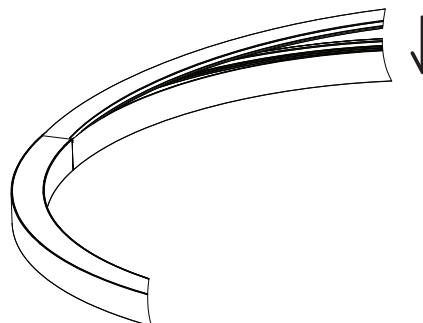
one  
LIGHT

A



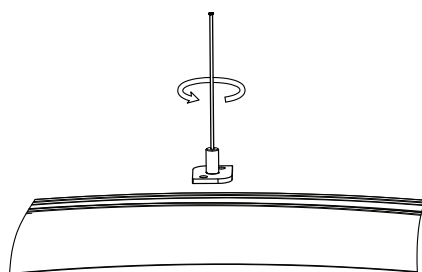
Connecting the curved profile by connector & stick the LED board inside the profile

B



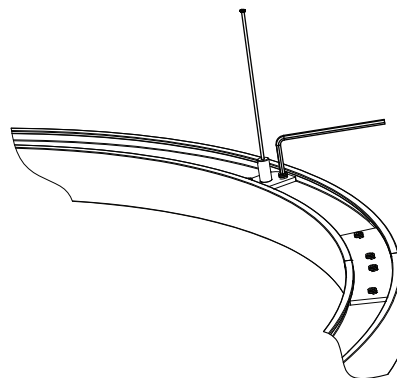
Press the curved cover into the profile

C



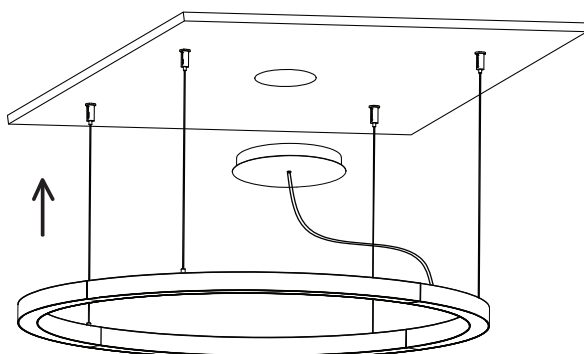
Move the slider to suitable position

D



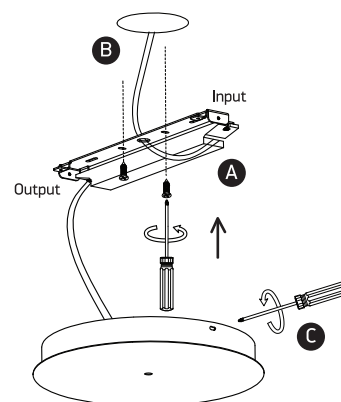
Lock the slider

E



Mounting the fixture to the ceiling except driver box

F



Wiring the input of driver & mounting the bracket assembled to the ceiling

## Warnings:

1. Fix the base on the ceiling.
2. Make sure that the product is installed properly before connecting to electricity.
3. Connect the AC power cable to the driver's cable as shown in the above diagram.
4. Do not cover the fitting.
5. Maintenance and installation should only be carried out by a professional electrician.