

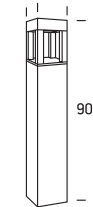
# INSTALLATION MANUAL

67506A

ecolight



160x160mm



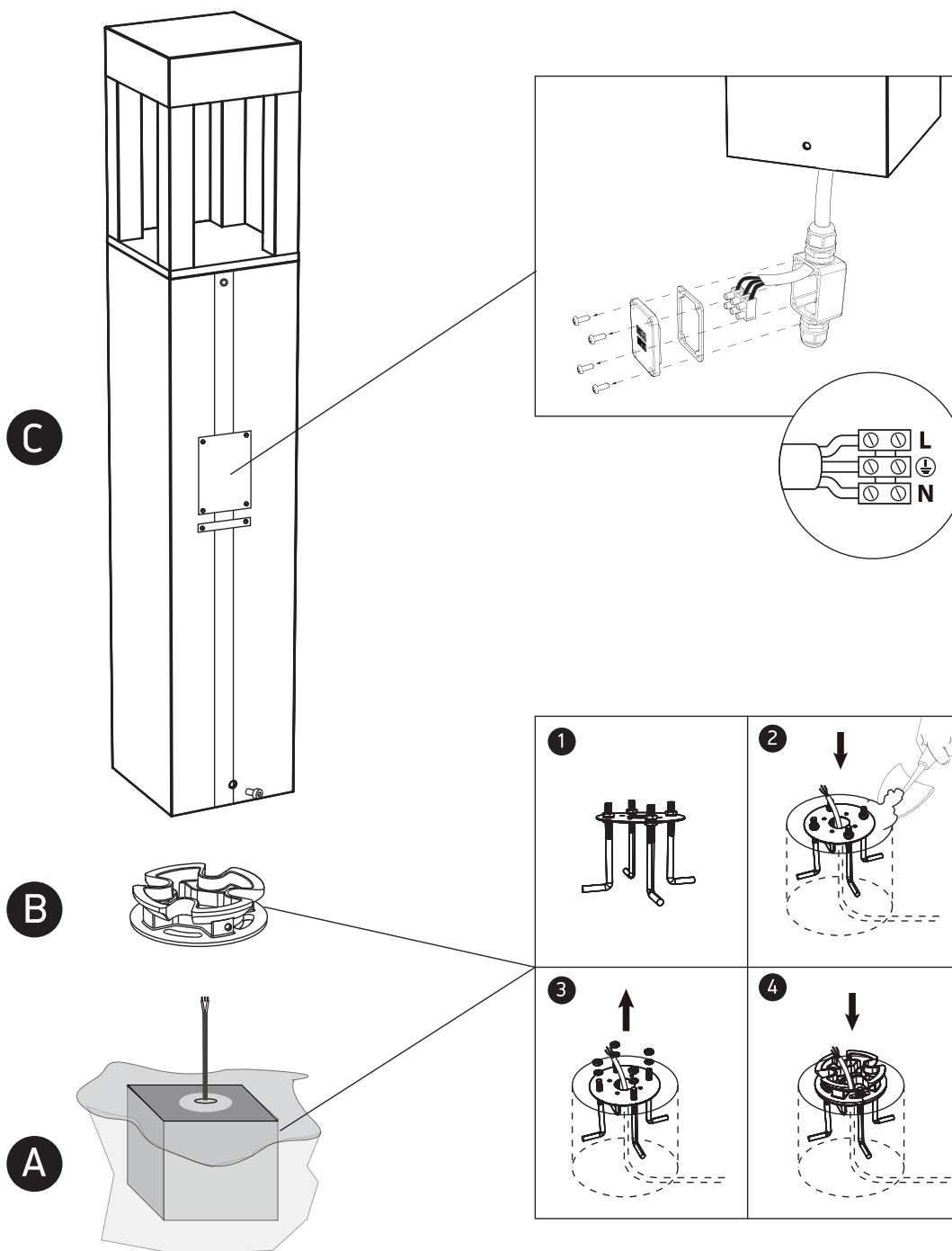
900mm

230V | SMD 2835 | 22W | IP65 | Die cast

Complete with 500mA driver.

80  
CRI

one  
LIGHT



## Warnings:

1. Make sure that the product is installed properly before connecting to electricity.
2. Do not cover the fitting.
3. Maintenance and installation should only be carried out by a professional electrician.