

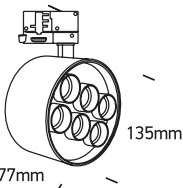
# INSTALLATION MANUAL

65656DT

ecotrackspot



DARK LIGHT

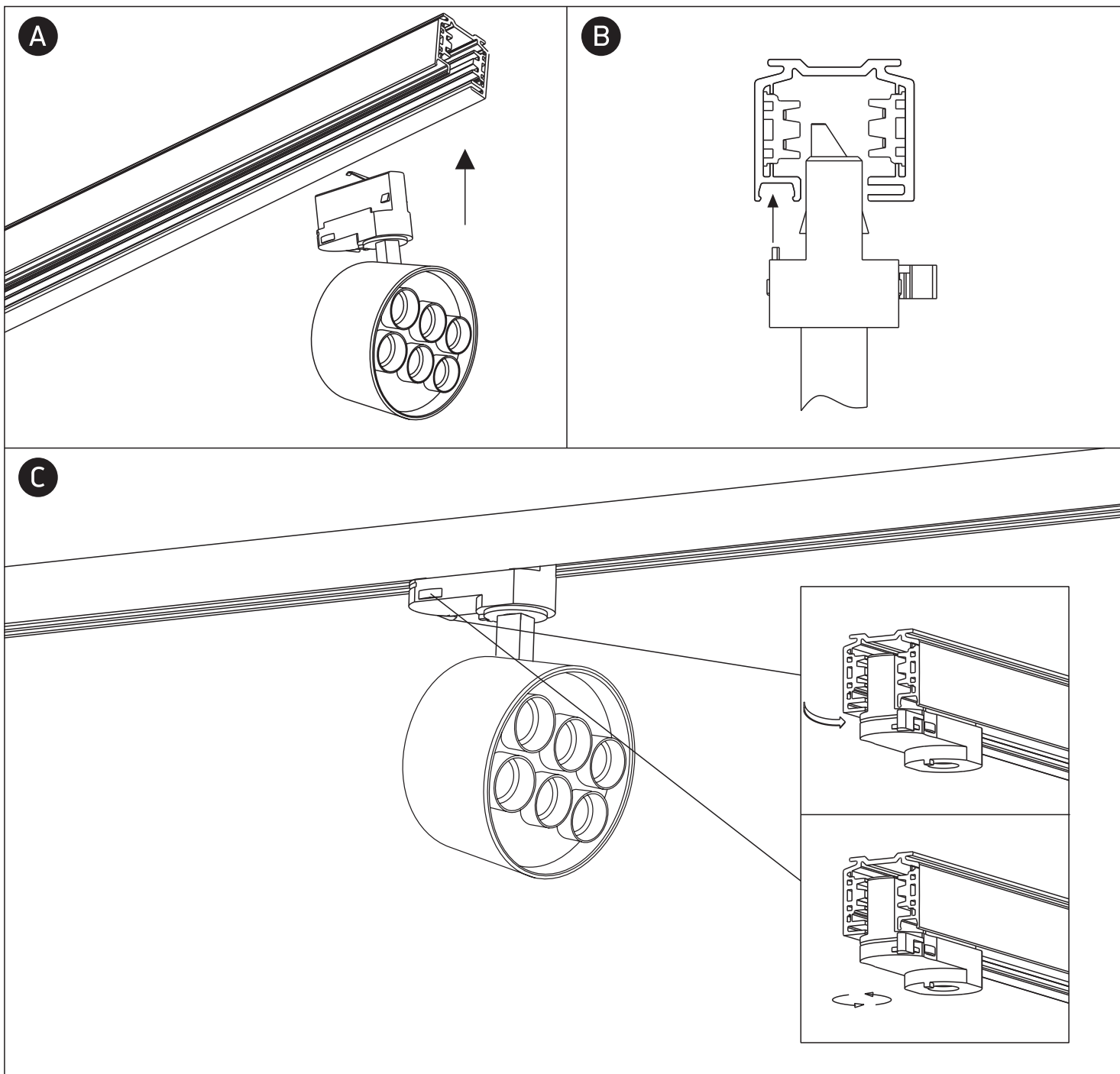


230V | SMD 5050 | 36W | IP20 | Aluminium | Adjustable

Complete with 1000mA driver.

90 CRI

one LIGHT



## Warnings:

1. Make sure that the product is installed properly before connecting to electricity.
2. Do not cover the fitting.
3. Maintenance and installation should only be carried out by a professional electrician.