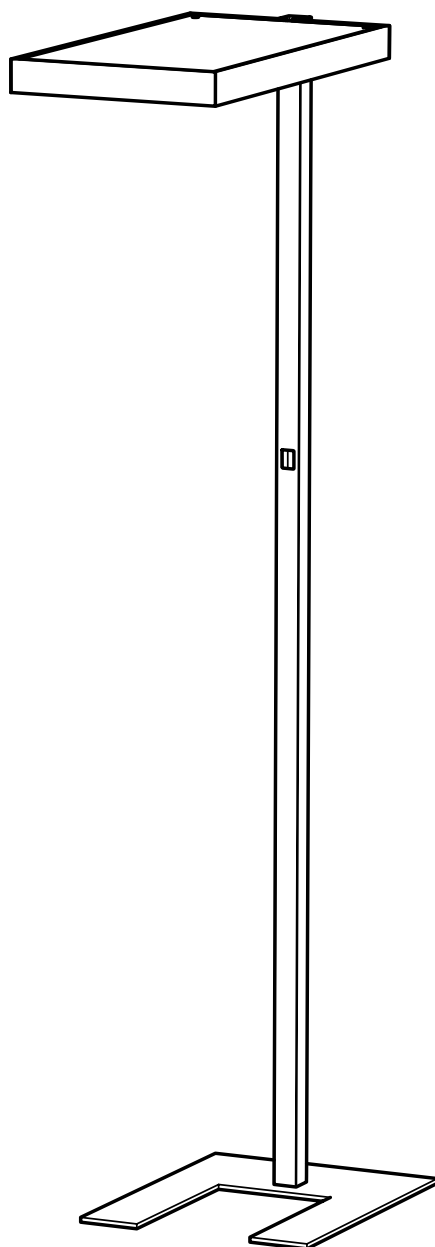
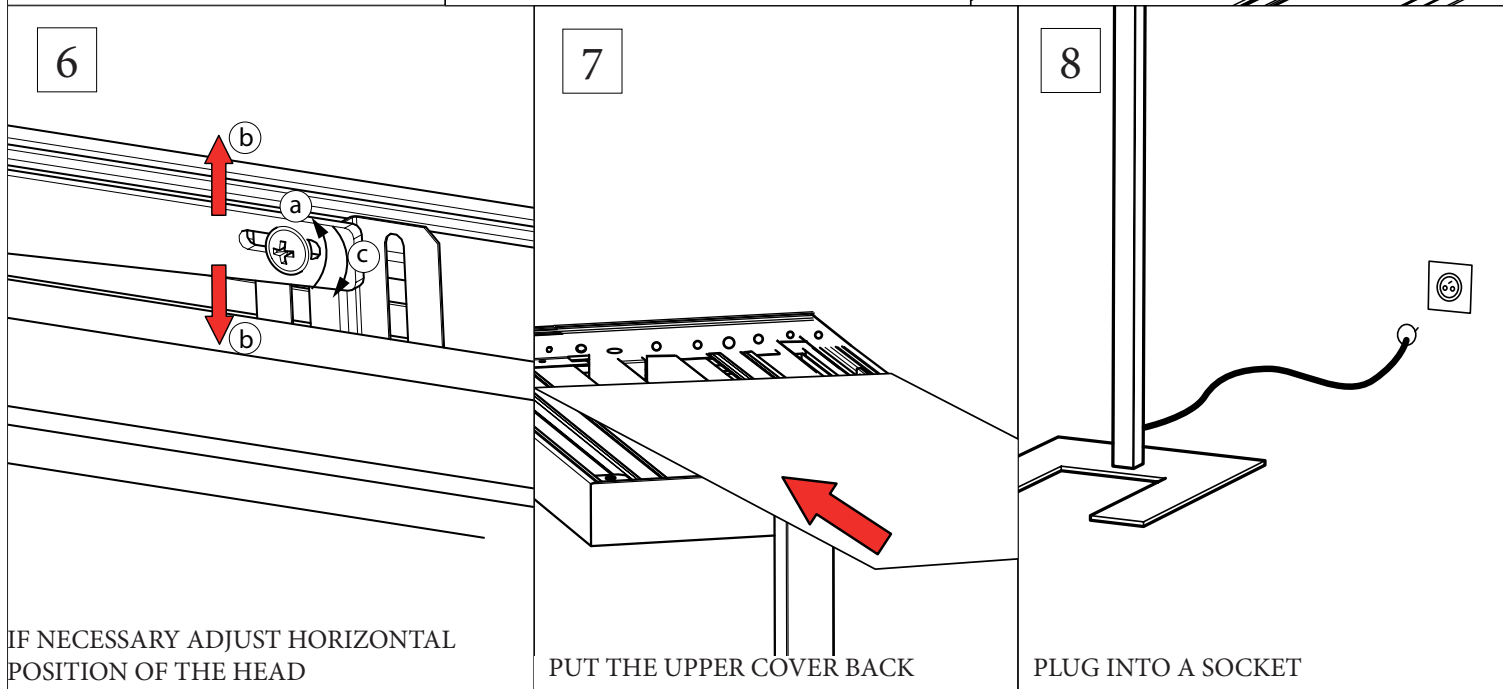
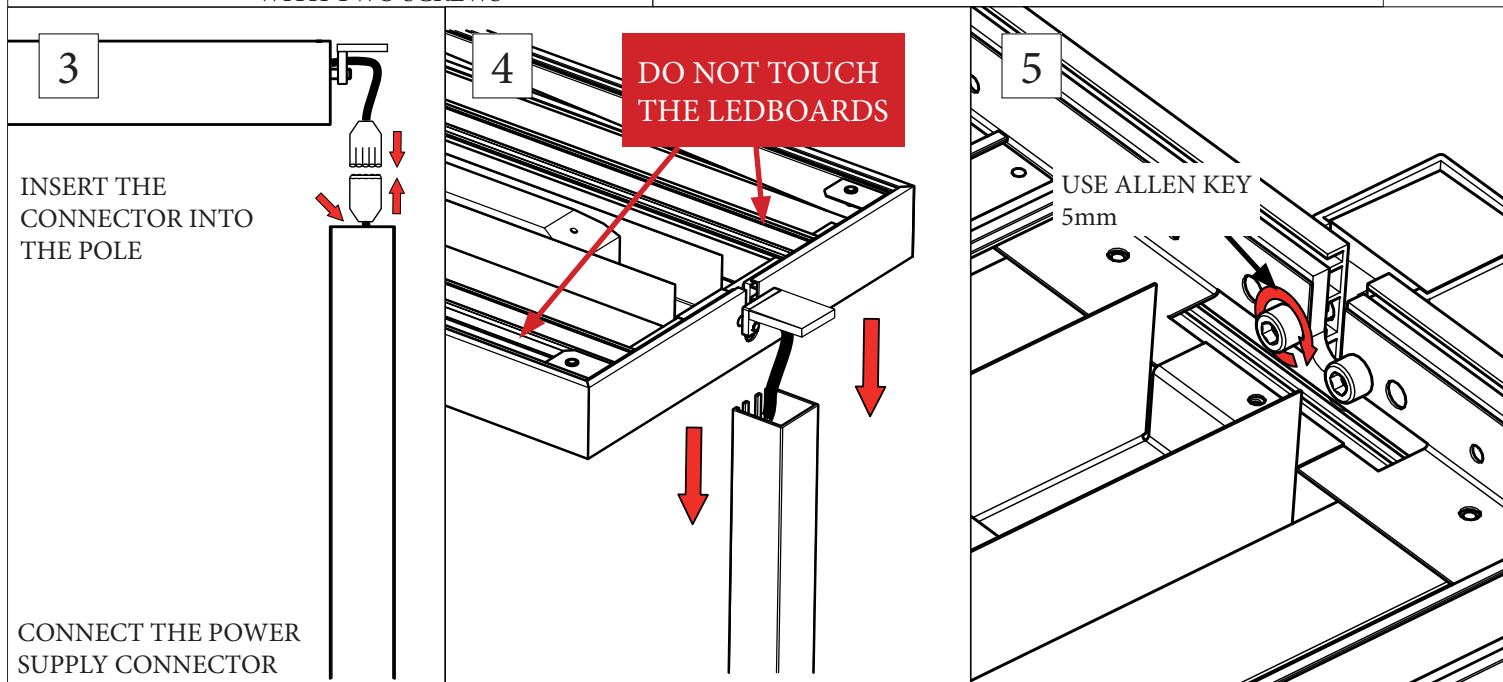
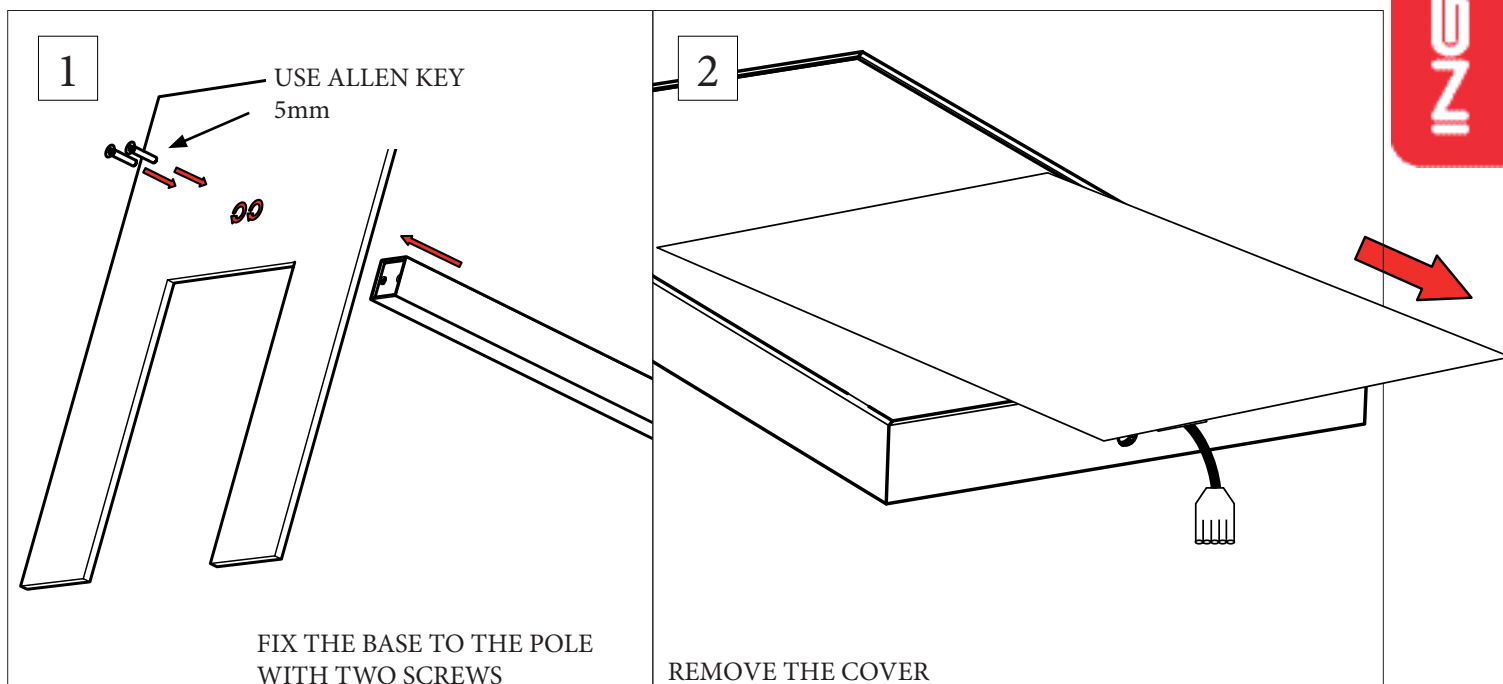
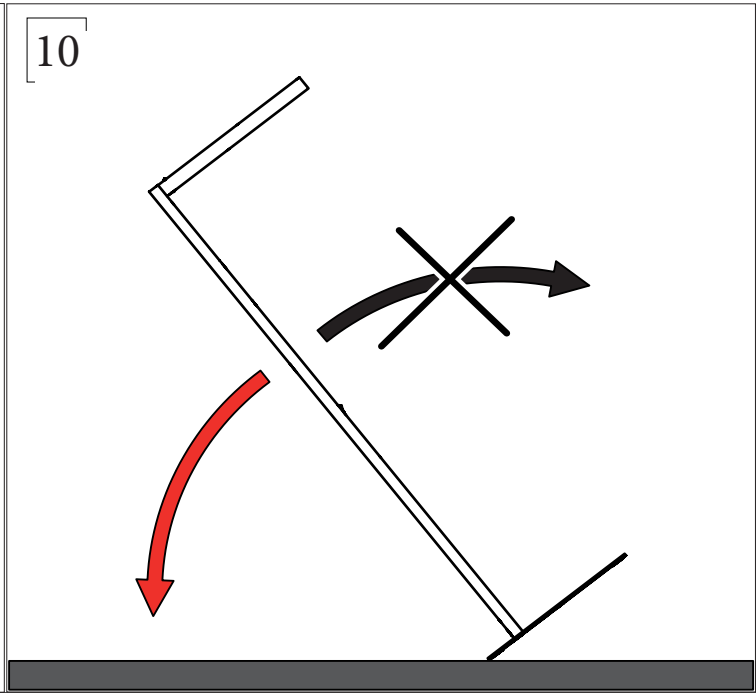
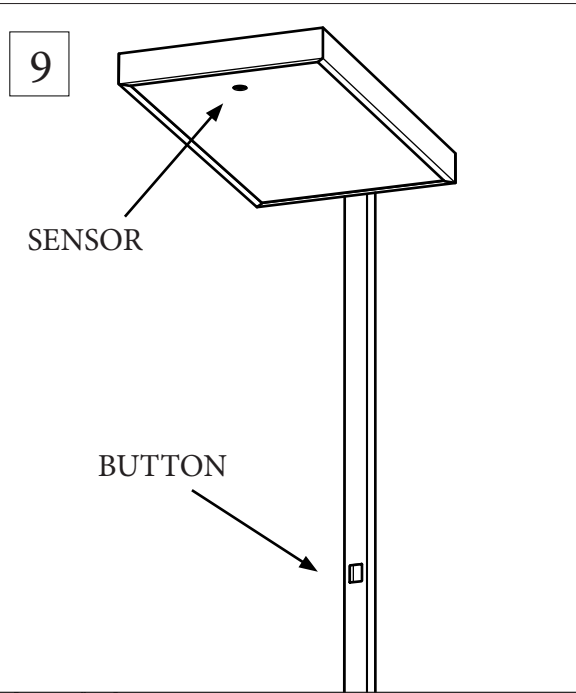


SIGMA FSL LED D/I DALI LS/PD

INSTALLATION INSTRUCTION







11

PUSH
BUTTON

LUMINAIRE CONTROLS AND SETTINGS

Operation		Symbols	
	Pushbutton on the luminaire		Luminaire on
	Switch on		Luminaire off
	Switch off		Luminaire flashes
	Short press (< 0.5 s)		Brightness with automat. control
	Long press (0.5 – 4 s)		Confirmation of the setting
	Double-click		Manual dimming

Switching luminaire on and off

Via short press.

Note: The luminaire is first switched on with minimum brightness. If a setpoint is predefined for brightness control, the brightness is controlled automatically.

I → O O → I

Deactivating brightness control

I → O

- 1 Switch off if necessary.
- 2 Double-click
- 3 Confirmation: maximum brightness

Changing the brightness manually

Via long press.

Note: The brightness control is deactivated until the next time the luminaire is switched on.

Each repeated long key button press causes a toggle between increased brightness and decreased brightness.

Deactivating the motion detection

O → I

- 1 Switch on if necessary.
- 2 Double-click
- 3 Confirmation: luminaire switches off

Note: The next time the luminaire is switched on via the push button, the motion detection is activated again.

Specifying set value for brightness control

Specifying the set value activates the brightness control.

- 1 Set the desired brightness.
- 2 Double-click
- 3 Confirmation: luminaire flashes.

SIGMA FSL LED D/I DALI LS/PD



- Caution:
- the luminaire is intended for indoor use with normal ambient temperature 25°C only
 - the luminaire's connection or disconnection must be done when the mains power is off and must be performed by qualified electrician only
 - the power cable must be connected inside the terminal block in the luminaire only
 - do not place any cables or wires on the top of the luminaire
 - the luminaire can not be covered by any insulating material
 - the mains voltage must comply with standard values 230V/50Hz
 - neutral wire must be connected properly and has to be connected to all fittings, during the operation the neutral wire must never be disconnected!
 - please follow the instructions of manufacturers of electronic ballasts such as www.osram.cz

Warranty certificates:

For the luminaire we provide standard guarantee of 24 months and for lighting sources LED we provide 24 months unless otherwise agreed. In case of atypical inquiry on installation or fitting, the warranty can be at certain elements different from the period mentioned above.

DATE OF MANUFACTURE:

DATE OF SALE:

SHOP STAMP, SIGNATURE:

Conditions for the provision of warranty repairs:

- 1) In compliance of the common use, operation and maintenance of the product, we guarantee that the product will have during the entire warranty period features and characteristics as issued by standard technical norms and conditions.
- 2) If during the guarantee period defect occurs, which was not caused by the user, the product will be repaired free of charge if it is not agreed otherwise.
- 3) The warranty does not apply to defects that were caused by improper use, installation, not respecting conditions for standard use of the product or product which was modified by buyer.
- 4) Warranty period is extended of the time during which the product was repaired.
- 5) The buyer must apply warranty repairs in the company where he bought the product.
- 6) The claim can be filled personally or you can send the claimed item by post. But always with a written description, why the item is being claimed. The claim can not be accepted by phone.
- 7) For more information please visit www.inge.cz – General delivery Terms and Conditions.