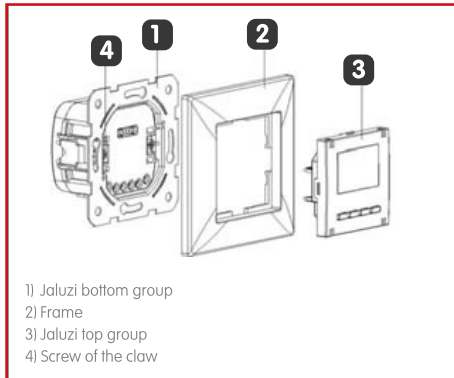


USER MANUAL JALOUSIE CONTROLLER EV103008



MOUNTING

- 1- Pull the Jaluzi top group (3)
- 2- Pull the frame (2)
- 3- Make cable connections at Jaluzi bottom group(1) according to connection diagram.
- 4- Mount Jaluzi bottom group(1) to junction box on the wall and tighten the screw of the claw (4) with proper screwdriver.
- 5- Put Jaluzi top group (3) into frame(2).
- 6- Press and attach Jaluzi top group (3) and frame(2) to Jaluzi bottom group.

TECHNICAL SPECIFICATIONS

Maximum output current:	5A(2A) 230 VAC
Electrical Rating	230V +/-10%, 50Hz
Power reserve	About 6 hour at 25°C
Memory capacity	4 operating range per day
Operating temperature	0 – 30 °C
Protection	IP 20
standardization	EN 60669-2-1

INSTRUCTIONS



- Main display shows the time, days of the week, mode of operation, program indicator and jalousie movement direction.
- Height adjustment is done with the arrow button (\blacktriangledown \blacktriangle).
- Up and down icons indicates moving direction.
- This setting is effective until the next switching program.
- In order to disable switching program, **AUTO** and **RND** icons must be disabled by pressing OK button.
- AUTO** icon shows that the switching programme is active.
- RND** icon shows that the random function is active. At random function switching programme is still active. But switching programme runs at random in the range of +/-15 minutes.

Mode of operation

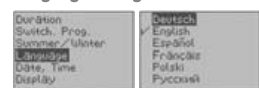
- 3 modes of operation.
- Half Open mod **HO** Open mod **OP** Closed mod **CL**.

button (\blacktriangledown \blacktriangle). Return to top menu with MENU button. Setting will automatically register to the device.



- Enter Summer/Winter option with OK button.
- Choose one of the program to use.

Language settings



- Enter Language option with OK button
- Choose language with arrow button (\blacktriangledown \blacktriangle).
- Press OK button for register language to device

Settings

- Push the MENU button for 5 seconds.
- Navigate through menus with the arrow button (\blacktriangledown \blacktriangle). Enter sub menus with OK button. Return to top menus with MENU button.

Duration Settings



- Enter Duration option with OK button.
- Set the time required to adjust the distance between the highest level and lowest level of jalousie with the arrow button (\blacktriangledown \blacktriangle).
- Return to top menu with MENU button. Setting will automatically register to the device.

Date , Time Settings



- Enter Date , Time option with OK button
- Set the date with the arrow button (\blacktriangledown \blacktriangle).
- Switch between tabs with OK button.
- Return to top menu with MENU button. Setting will automatically register to the device.

Display Settings



- Enter Display option with OK button
- Set the background light intensity as a percentage (%) with arrow button (\blacktriangledown \blacktriangle).
- Key: Background light run only when button pressed.
- Off: Background light never run.

Program settings



- Enter Program option with OK button.
- Choose one of the program in Summer or Winter.



- Choose one of the option in All days of the week, weekdays only, weekend days only or every days of the week separately.



- Choose operating mode with arrow button (\blacktriangledown \blacktriangle). Switch between tabs with OK button. Choose operating time with arrow

- On: When operating device Background light run at set value after operation light run at half of set value.
- All setting made up with arrow button (\blacktriangledown \blacktriangle).
- Return to top menu with MENU button. Setting will automatically register to the device.

Reset



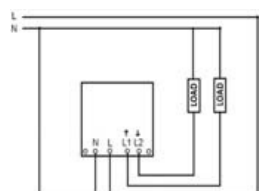
- Enter Reset option with OK button
- Choose Reset tab with arrow button (\blacktriangledown \blacktriangle).
- Reset all programmed memory with OK button .

Initial Settings (Reset)

- Menu Language : English
- Duration : 60 seconds
- Display : Brightness: %100 , Light : Button
- Active program : Winter
- Winter Program : Everyday 7:00 - 19:00 Open
- Summer Program : Everyday 7:00 - 19:00 Open

Product should be used within 43 mm deep junction box.

CONNECTION DIAGRAM



CAUTION

- Use dry or slightly damp cloth to clean products frame, button and cover. Do not use Alcohol, cologne, detergents etc. Chemicals.
- When painting your home, keep your key by removing the covers and frames.