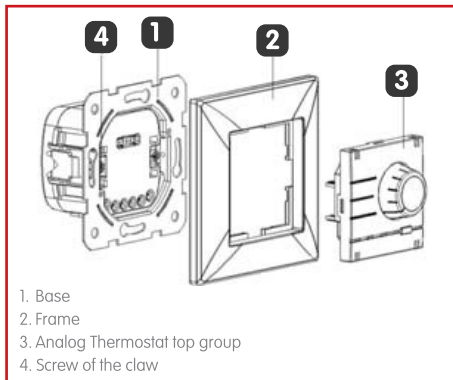


USER MANUAL ANALOG THERMOSTAT EV103011



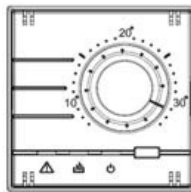
MOUNTING




- 1- Pull the Analog Thermostat top group (3)
- 2- Pull the frame (2)
- 3- Make cable connections at Base (1) according to connection diagram.
- 4- Mount Analog Thermostat Base (1) to junction box on the wall and tighten the screw of the claw (4) with proper screwdriver.
- 5- Put Analog Thermostat top group (3) into frame (2).
- 6- Press and attach Analog Thermostat top group (3) and frame (2) to Analog Thermostat Base

TECHNICAL SPECIFICATIONS

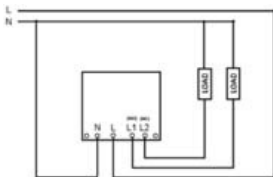
Maximum output current	NO: 10(4)A 230 VAC
• Changeover/ normally open contact	NC: 5(2)A 230 VAC
• Changeover/ normally closed contact	
Electrical Rating	230V \pm 10%, 50Hz
Temperature control range	10 – 30 °C \pm 1°C
Minimum switching time	5 minute
Operating Temperature	0 – 30 °C
Protection	IP 20
standardization	EN 60730-1 EN60730-2-9

INSTRUCTIONS



- Press the button to open the device.  lamp is switch on when device become active.
 - Set temperature value (between 10°C - 30°C) while the device active. When room temperature is low  lamp is switch on and heater become active.
 - While the device is turned off . at temperature under +5°C,  lamp is switch on and frost protection is activated to protect installation from freezing.
- Product should be used within 43 mm deep junction box.

CONNECTION DIAGRAM



CAUTION

- Use dry or slightly damp cloth to clean products frame, button and cover. Do not use Alcohol, cologne, detergents etc. Chemicals.
- When painting your home, keep your key by removing the covers and frames.