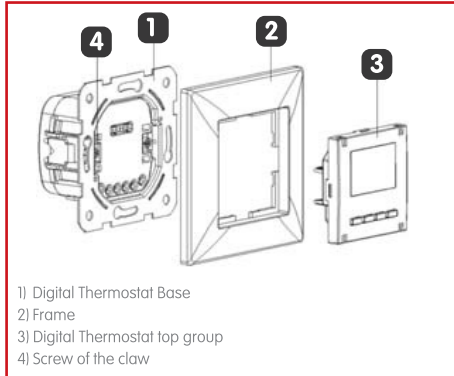


USER MANUAL DIGITAL THERMOSTAT EV103010



- 1) Digital Thermostat Base
- 2) Frame
- 3) Digital Thermostat top group
- 4) Screw of the claw

MOUNTING

- 1- Pull the Digital Thermostat top group (3)
- 2- Pull the frame (2)
- 3- Make cable connections at Digital Thermostat Base(1) according to connection diagram.
- 4- Mount Digital Thermostat Base(1) to junction box on the wall and tighten the screw of the claw (4) with proper screwdriver.
- 5- Put Digital Thermostat top group (3) into frame(2).
- 6- Press and attach Digital Thermostat top group (3) and frame(2) to Digital Thermostat bottom group.

TECHNICAL SPECIFICATIONS

Maximum output current:	NO: 10(4)A 230 VAC
• Changeover/ normally open contact	NC: 5(2)A 230 VAC
• Changeover/ normally closed contact	230V +/-10%, 50Hz
Electrical Rating	About 6 hour at 25°C
Power reserve	5 – 30 °C
Temperature control range	4 operating range per day
Memory capacity	5 minute
Minimum switching time	0 – 30 °C
Operating temperature	IP 20
Protection	EN 60730-1
standardization	EN 60730-2-9

INSTRUCTIONS



- Main display shows the time, days of the week, set temperature value, mode of operation, heating process and program indicator.
- Temperature adjustment is done with the arrow button (▼ ▲). This setting is effective until the next switching program. In order to disable switching program, **AUTO** icon must be disabled by pressing OK button.

Mode of operation

- 3 modes of operation.
- **ST** standby mode, **COM** comfort mode, **N** night mode. Press MENU button to switch between operating modes. This setting is effective until the next switching program. In order to disable switching program, **AUTO** icon must be disabled by pressing OK button.
- **HE** icon indicates that heating is active.
- **CL** icon indicates that the thermostat is closed. This setting is effective until the next switching program. In order to disable

switching program, **AUTO** icon must be disabled by pressing OK button. Frost protection is activated automatically when the temperature drop to 5 degrees.

Settings

- Push the MENU button for 5 seconds.



- Navigate through menus with the arrow button (▼ ▲). Enter sub menus with OK button. Return to top menus with MENU button.

Temperature Settings



- Enter Temperature option with OK button.
- Set the temperature value with the arrow button (▼ ▲).
- Switch between modes with OK button.
- Return to top menu with MENU button. Setting will automatically register to the device.

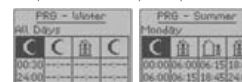
Program settings



- Enter Program option with OK button.
- Choose one of the program in Summer or Winter.



- Choose one of the option in All days of the week, weekdays only, weekend days only or every days of the week separately.



- Choose operating mode with arrow button (▼ ▲). Switch between tabs with OK button. Choose operating time with arrow button (▼ ▲). Return to top menu with MENU button. Setting will automatically register to the device.

Selecting Program



- Enter Summer/Winter option with OK button.
- Choose one of the program to use.

Language settings



- Enter Language option with OK button
- Choose language with arrow button (▼ ▲).
- Press OK button for register language to device

Date , Time Settings



- Enter Date, Time option with OK button

- Set the date with the arrow button (▼ ▲).
- Switch between tabs with OK button.
- Return to top menu with MENU button. Setting will automatically register to the device.

Display Settings



- Enter Display option with OK button
- Set the background light intensity as a percentage (%) with arrow button (▼ ▲).
- Key: Background light run only when button pressed.
- Off: Background light never run.
- On: When operating device Background light run at set value after operation light run at 1/3 of set value.
- All setting made up with arrow button (▼ ▲).
- Return to top menu with MENU button. Setting will automatically register to the device.

Reset



- Enter Reset option with OK button
- Choose Reset tab with arrow button (▼ ▲).
- Reset all programmed memory with OK button.

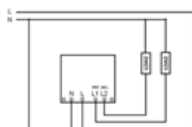
Initial Settings (Reset)

- Menu Language : English
- Temperature :
 - Comfort 24 °C
 - Standby 18 °C
 - Night 21 °C
- Display : Brightness:%100 , Light: Key
- Active Program : winter
- Winter Program :
 - Weekdays 00:00 - 06:00 Night
 - 06:00 - 22:00 Comfort
 - 22:00 - 24:00 Night
 - Weekend 00:00 - 08:00 Night
 - 08:00 - 23:00 Comfort
 - 23:00 - 24:00 Night
- Summer Program:
 - Weekdays 00:00 - 06:00 Night

06:00 - 22:00	Comfort	654648
22:00 - 24:00	Night	
Weekend 00:00 - 08:00	Night	
08:00 - 23:00	Comfort	
23:00 - 24:00	Night	

Product should be used within 43 mm deep junction box.

CONNECTION DIAGRAM



CAUTION

- Use dry or slightly damp cloth to clean products frame, button and cover. Do not use Alcohol, cologne, detergents etc. Chemicals.
- When painting your home, keep your key by removing the covers and frames.