

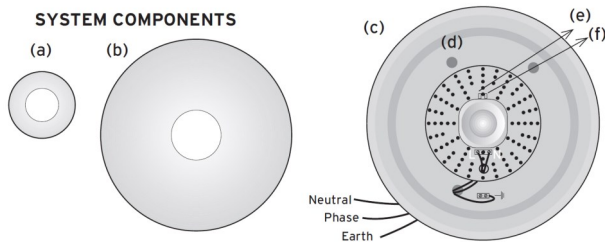
■ User Manual: CAT-D MS LED 8,5W 375lm 3000k, 360° IP20, white



■ Specifications

Operating Voltage	~85-265 VAC / 50-60Hz
Detecting angle	360°
Mounting height	2,8m
Detecting range	9m
Time setting	10 sek. ± 1 sec. / 5 min. ± 10 sec.
LEDs	96x2300 mcd 120° LED
LED lifetime	30000hours
Protection class	IP20 Class 1
Operating Temperature	-20°C ... + 40°C
Lumen	375lm
Power consumption (Active/Standby)	8,5W

■ System Components

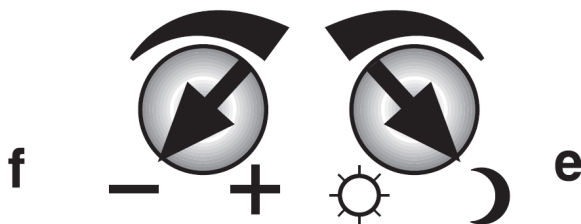


(a) Clamping washer (b) Glass Cover (c) Ceiling mount (d) Ceiling mount screw (e) Daylight setting nob (f) Time setting nob

■ Usage Areas

- At the building entrances, stair vestibules
- At the long halls within the flats
- At the places required within the flats
- At the parking garage
- At the requisite locations within the hotels
- At the schools, hospitals and restroom

■ Setting



• Daylight setting (e)

The sensor's response threshold can be infinitely varied from 2-2000 lux. If you turn the knob clockwise device will operate at dark.

Control dial set = daylight operation approx. 2000 lux.

Control dial set = night-time operation approx. 2 lux.

• Time setting (f)

Light ON time can be adjusted continuously from "10 sek. ± 1 sec. / 5 min. ± 10 sec." If you turn the knob anticlockwise device will operate at minimum time. (10 seconds)

Control dial set to - = Shortest time (10 sek. ± 1 sec.)

Control dial set to + = Longest time (5 min. ± 10 sec.)

• Note

Device will automatically make its own offset by checking environment for approximately 5 minutes after the first installation. After this period device will operate normally. If you think the device does not operate normal in first installation, please wait for 5 minutes and start to test again. Be sure that there is no motion by this period.

User Manual: CAT-D MS LED 8,5W 375lm 3000k, 360° IP20, white

Mounting

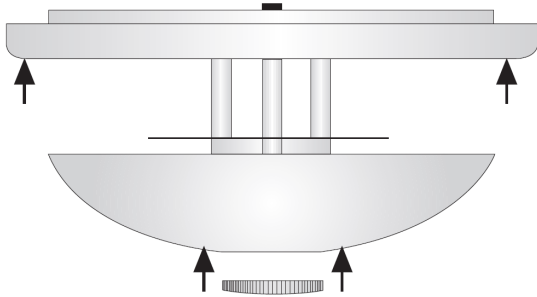
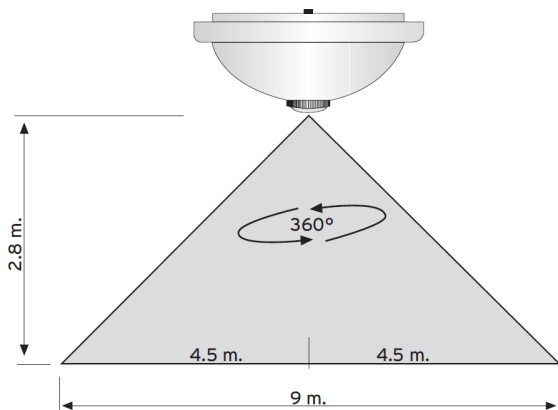


Figure 1

As shown in figure, firstly open the string by turning counter clockwise and take off the glass. Mount the ceiling from places which shown in figure (c) and figure (d). And first will connect ground connection, than connect connector as shown in system components part. Then lay the glass its place and fasten up the glass by constricting the string.

Detecting Range



Detection area of motion sensors depends on the angle between PIR detector and moving direction, temperature, mounting style and mounting place. Temperature is very important for operation for motion sensor like all electronic devices. Environment temperature will cause to decrease of detection range. Detection range given is determined at +20°C. If the weather is hot, it will decrease.

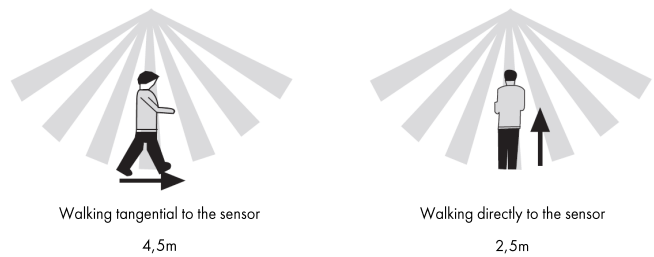


Figure 2

The maximum detection range can be realized when walking tangential to the sensor (figure1) When walking directly to the sensor detection range will be low. Because you will not be able to cut vertical areas. Detection range of 01000 and 01001 are 9 meters as diameter, 4,5 meters as radius.

Troubleshooting

Malfunction	Cause	Solution
LEDs are off	- Daylight adjustment set to night-time mode during daytime operate	- Control daylight setting and re-adjust
	- Power switch off or no electricity	- Check the electricity and power on
	- Fuse faulty	- Change the fuse
There is no electricity on the device	- Fuse switch off or fuse faulty	- Check the fuse if necessary use a ned fuse
	- Connection faulty	- Check the connection cables
LEDs are continuously on	- Continuously meovement in detection zone	- Check the detection zone
	- Cars on the streets are being detected	- Avert it is being detevction
	- Wind, rain, snow is moving to the trees and bushes or open windows in detection zone	- Change detection zone, change site of installation
Change perception areaa in device	- Sudden temperature changes due to weather (wind, rain, snow) or the air expelled from fans	- Change site of installation or keep the reasons away
	- Different ambient temperatures	- Change site of installation

■ User Manual: CAT-D MS LED 8,5W 375lm 3000k, 360° IP20, white

■ General Security Cautions

- Take off the original package and control if there is any damage of transportation and general view of the product.
- Do not use the product at cross purposes.
- Keep it away from water and moist areas.
- Do not use the product at dusty, dirty and rusty places.
- Do not supply high voltage.
- Do not apply any liquid.
- Protect from any stroke.
- Using ~85-265 Vac / 50-60 Hz voltage is so dangerous that only the specialist electricians must install and apply.

■ Cautions for installation and usage

- Installing must be carried out professionally in accordance with applicable national wiring and electrical operating conditions.
- Turn of the network before mounting.
- Do not mount the product near the radiator and moist areas.
- Fix the bulbs before operating.
- Use 2A fuse the supply input.
- Factory setting; daylight adjustment is at darkness, time adjustment is at the shortest.
- Setting can be made 10 - 15 second after the releasing of the power.
- Time and daylight setting can be made during the day or night.
- Do not change the time and daylight settings abruptly.
- Do not make a second adjustment before you get a result from the first setting of the time and daylight.
- After you determine the right setting of the daylight, you can arrange the time as you need.
- The best result for the daylight setting can be obtained by adjusting the minimum. And that you can find the correct setting for sensitivity incrementally.
- When a cleaning needed for the glass, take of carefully and clean with a dry rag.

- Avoid mounting the detector close to objects that can cause rapid temperature changes such as heaters, fans, refrigerators and ovents etc, and prevent the detector from point-blank sunshine.
- It can cause the device operate inaccurately if there is tree, brushes etc. in the coverage area.
- The product has Y type connection.
- The product functions can be affected by the wind in the open area conditions.

■ Guaranty

We will remedy defects caused by material flaws or manufacturing faults. The warranty will be met by repair or replacement at our own discretion. The warranty shall not cover damage to wear parts, damage or defects caused by improper treatment or maintenance. Further consequential damage to other object is excluded. Claims under the warranty will only be accepted if the unit is sent fully assembled and well packed complete with a brief description of the fault, a receipt or invoice (date of purchase and dealer's stamp) to the appropriate Service Center.